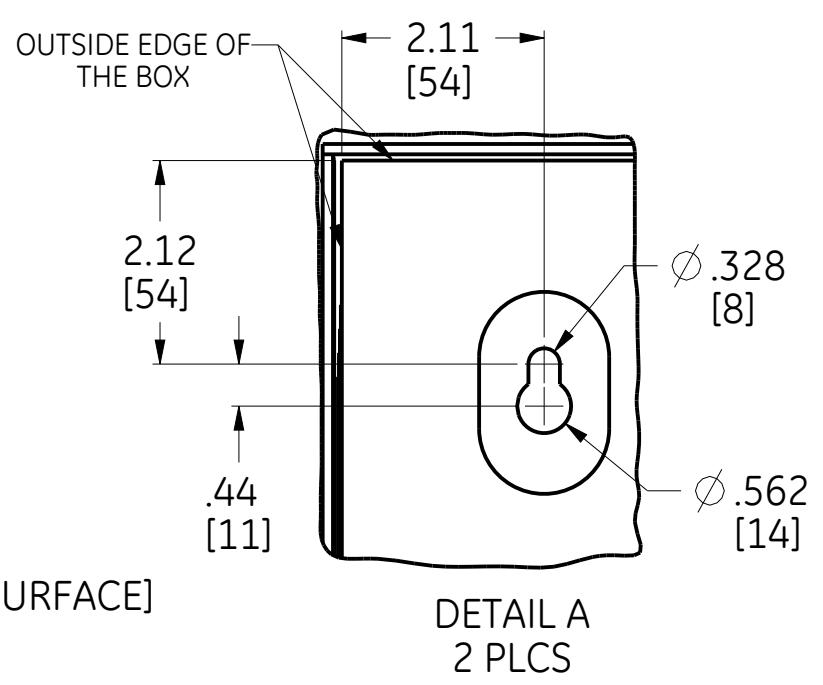
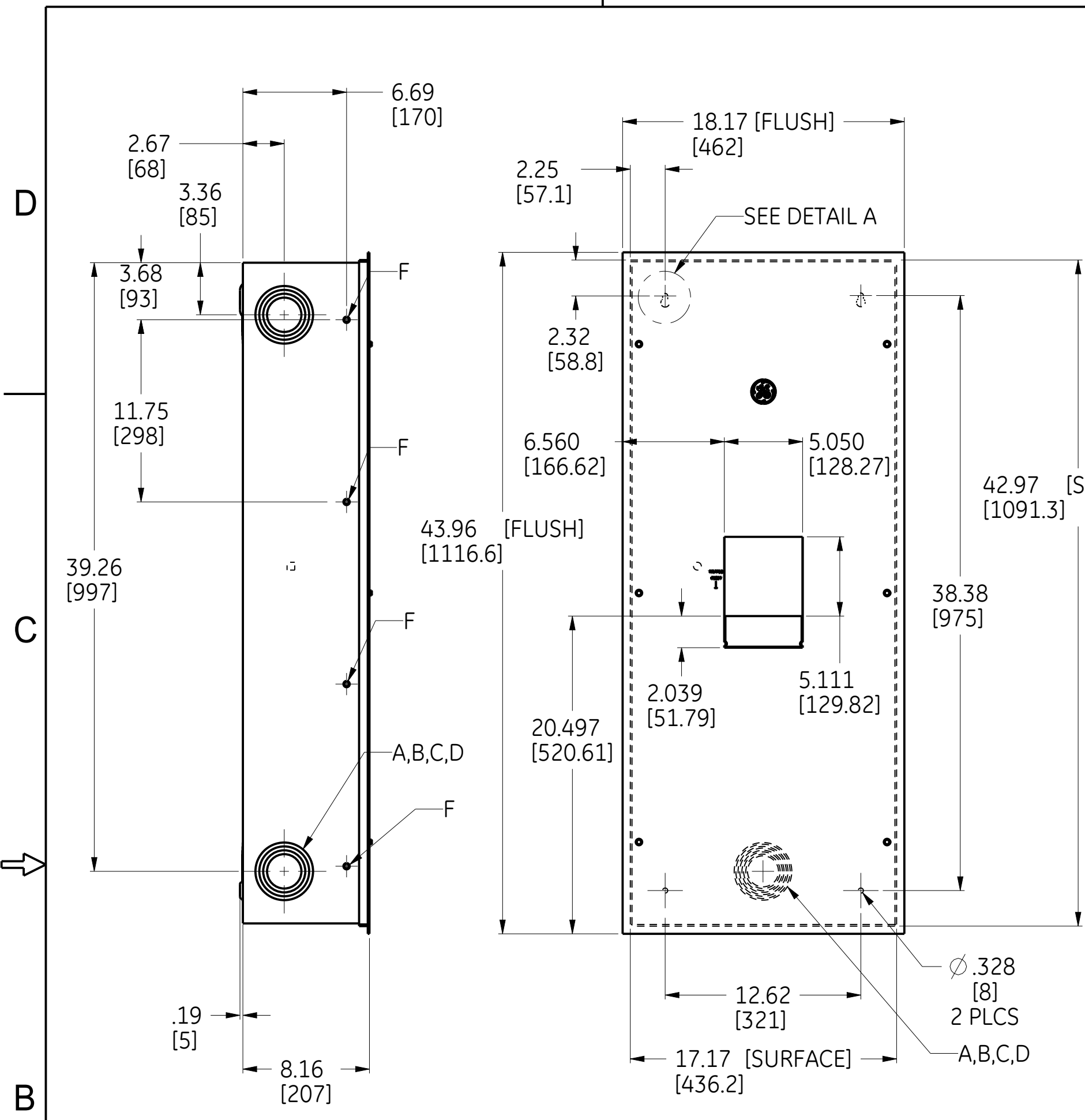


GE PROPRIETARY AND CONFIDENTIAL INFORMATION
 This document is the property of General Electric Company ("GE") and contains proprietary information of GE. This document is loaned on the express condition that neither it nor the information contained therein shall be disclosed to others without the express written consent of GE Energy, and that the information shall be used by the recipient only as approved expressly by GE Energy. This document shall be returned to GE upon its request. This document may be subject to certain restrictions under U.S. export control laws and regulations.

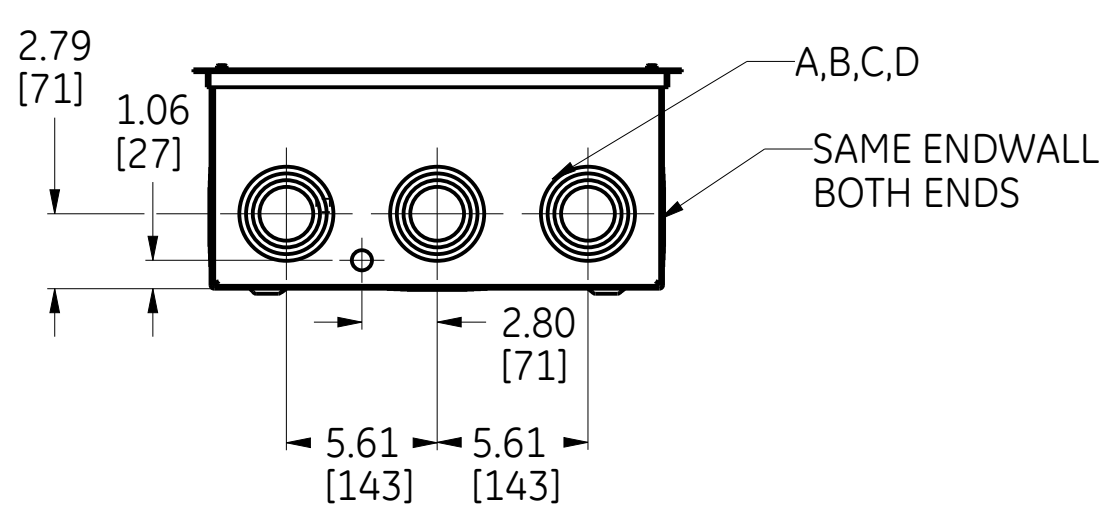
REVISIONS			
REV.	DESCRIPTION	DATE	APPROVED
1	C026395	04/11/17	SCF



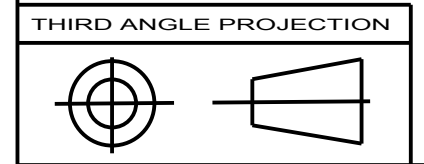
CIRCUIT BREAKER TERMINAL LUG DATA			
CIRCUIT BREAKER CAT NO. PREFIX	AMPERE RATING	LUG TYPE	WIRE SIZE (AWG/KCMIL)
PG_N, PG_H, PG_L & PG_P	250-600A	FCALK218H	(1)#8-400 CU (1)#6-500 AL
		FCALK318H	(1)#8-400 CU (1)#6-500 AL
			(1)#2/0-600 CU/AL

FIELD INSTALLABLE NEUTRAL ASSEMBLY AND GROUND KIT			
CAT NO. PREFIX	TYPE	AMPERE RATING	WIRE SIZE (AWG/KCMIL)
TGL6	GND KIT	600-1200A	(3) #2-250 CU-AL
TNIA 400	NEUTRAL ASM	100-400A	(1) #4-600 CU-AL (2) #1/0-250 CU-AL
TNIA 600	NEUTRAL ASM	500-600A	(2) #2/0-500 CU-AL
TNIA400GGF	NEUTRAL ASM	100-400A	(1) #4-600 CU-AL (2) #1/0-250 CU-AL
TNIA600GGF	NEUTRAL ASM	500-600A	(2) #2/0-500 CU-AL

KNOCKOUTS				
SYMBOLS	CONDUIT SIZE		DIAMETER	
	IN	MM	IN	MM
A	3 1/2	89	4 1/8	105
B	3	76	3 5/8	92
C	2 1/2	64	3	76
D	2	51	2 1/2	64
E	3/4	19	1 1/8	29
F	9/32	7	9/32	7



- NOTES:**
1. MATERIAL: LOW CARBON STEEL
 2. FINISH: ELECTROCOAT ENAMEL, GRAY
 3. AGENCY APPROVAL: UL/cUL LISTED - FILE E11592
 4. SUITABLE FOR USE AS SERVICE EQUIPMENT WHEN NEUTRAL ASSEMBLY IS INSTALLED
 5. THE SHORT CIRCUIT RATING OF THIS ENCLOSED CIRCUIT BREAKER IS EQUAL TO THE INTERRUPTING RATING, AT THE SUPPLY VOLTAGE MARKED ON THE CIRCUIT BREAKER INSTALLED
 6. CONSULT BUYLOG FOR ALTERNATIVE LUGS



DUAL DIMENSIONS INCHES [MILLIMETERS]

Part must conform to SI 900000 Sect. 4, Toxicity Procedure

FOR USE WITH GARDEON CIRCUIT BREAKERS

FOR ADDITIONAL INFO REFER TO:		SIGNATURES		DATE
APPLIED PRACTICES	MODEL	NAIDU	NAIDU	04/11/17
DIMENSIONS ARE IN INCHES	DETAIL	NAIDU	NAIDU	04/11/17
UNLESS OTHERWISE SPECIFIED IN DRAWING	CHECKED	SCF	SCF	04/11/17
	ENGRG	SCF	SCF	04/11/17
	MFG			
TOLERANCE ON:	QUALITY			
1 PL DECIMALS ± 0.0	ISSUED			
2 PL DECIMALS ± 0.02				
3 PL DECIMALS ± 0.005				
ANGLES ± 1.0				
FRACTIONS ±				
FINISH	DRAWING FILE:	208C2891SH9		
CRITICAL TO QUALITY CHARACTERISTIC	SOLID MODEL:	208C2891SH9		

GE Energy

TITLE: **OUTLINE DRAWING - NEMA TYPE 1 ENCLOSURE PG600F, PG600S**

SIZE: C DRAWING: 208C2891 REV: 1

SCALE: 0.080 REF. No.: SHEET 1 OF 1