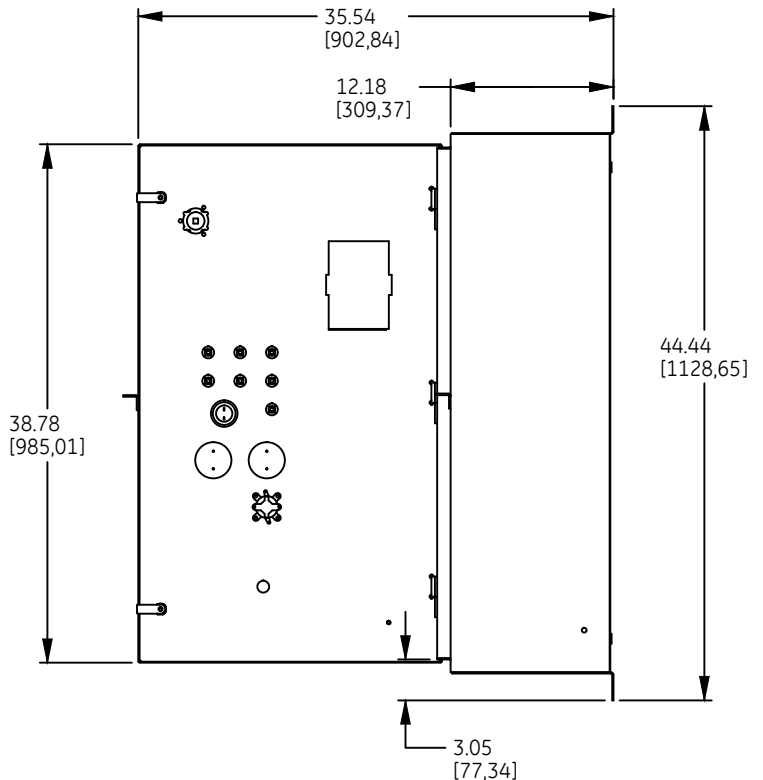
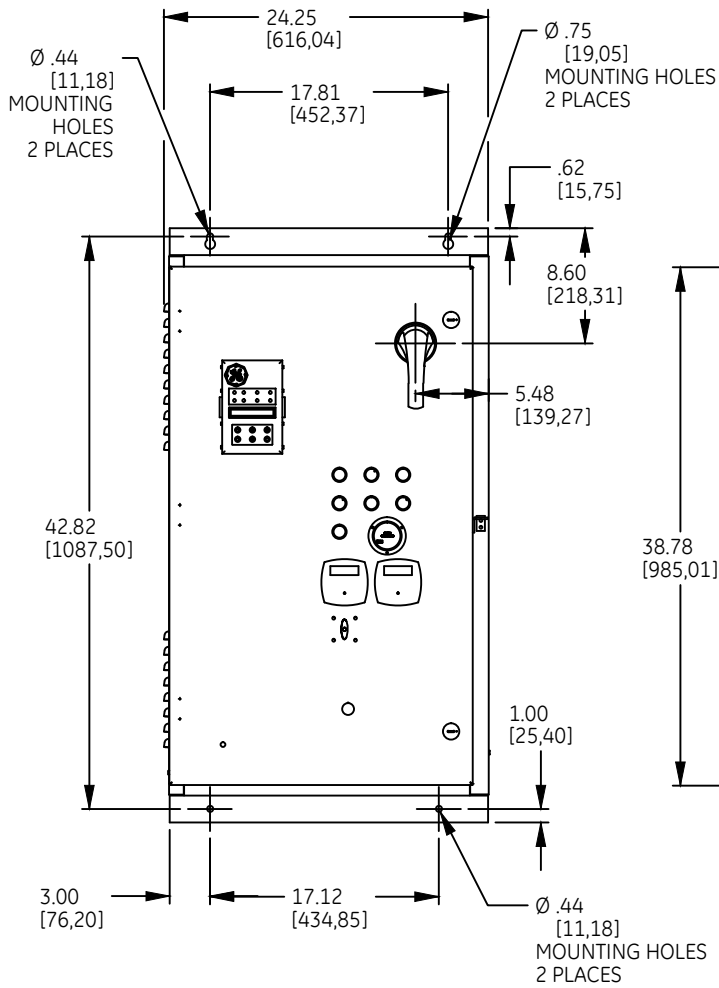
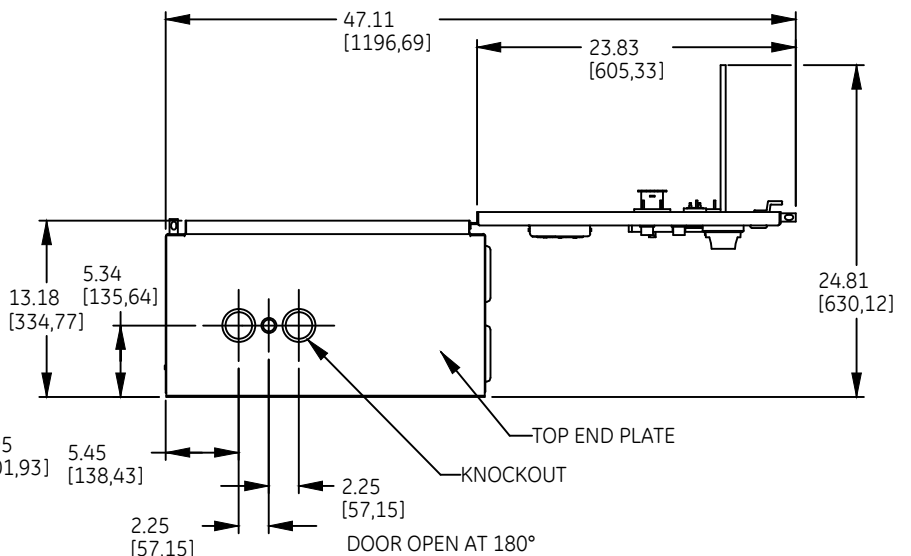
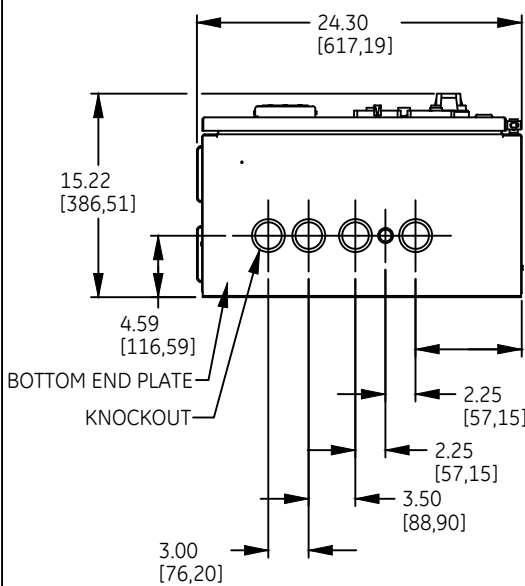


DUAL DIMENSIONS INCHES (ESTIMATING ONLY)
[MILLIMETERS]



DOOR OPEN AT 90°



TOP END PLATE

KNOCKOUT

DOOR OPEN AT 180°

WEIGHT :183.65 LBS [83.30 KGS]
10-20HP@208V, 15-25HP@230V, 30-50HP@460V, 40-60HP@575V



GE Energy

OUTLINE - ASTAT - XT ENCLOSURE
WALLMOUNT, TYPE-1

AN #	THIRD ANGLE PROJECTION	SHEET #
BL-0471		1 OF 1

DWG NO.	DATE	REV
270A8105	07/03/10	4