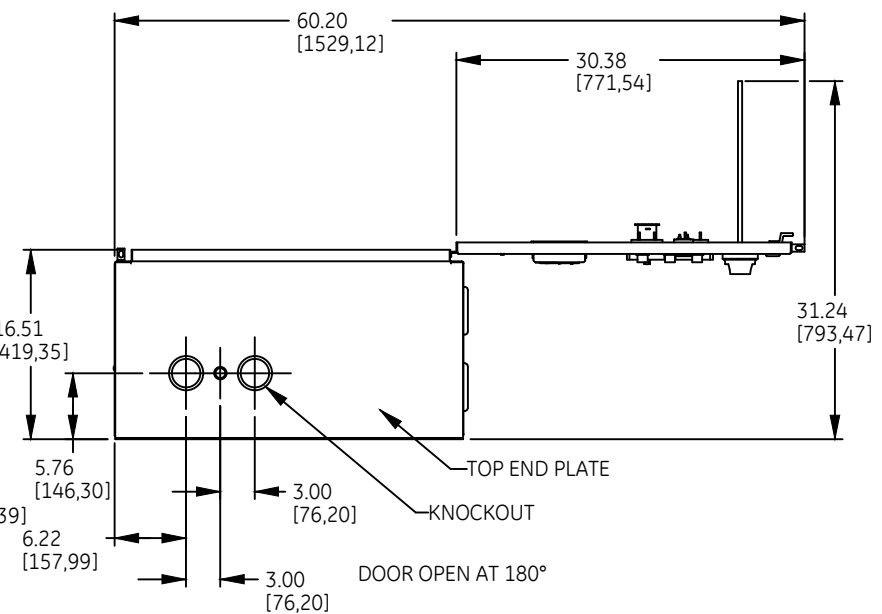
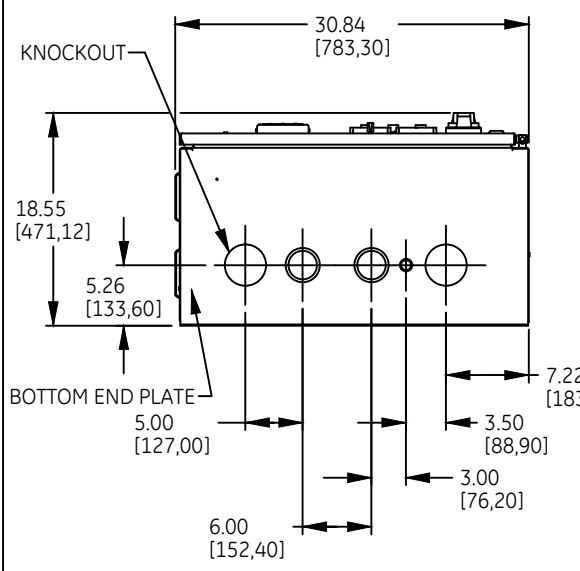
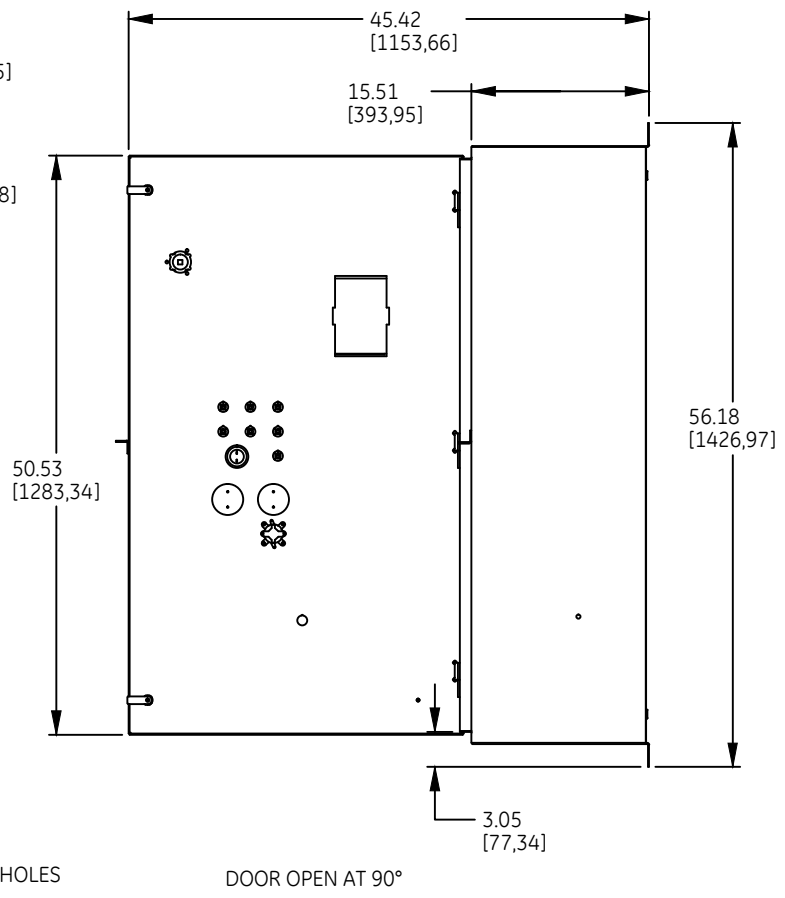
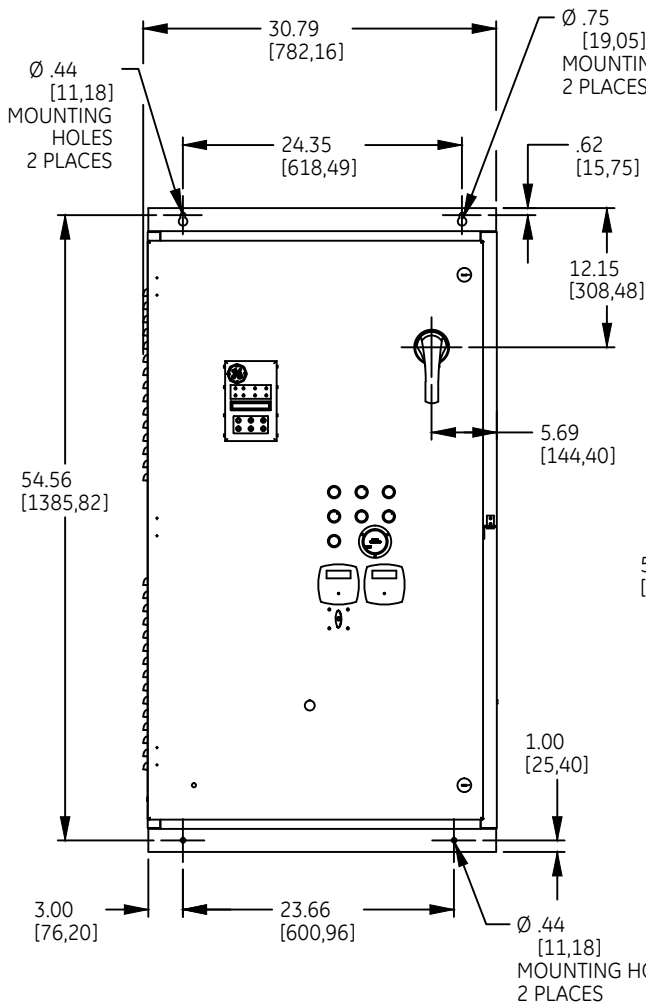


DUAL DIMENSIONS INCHES (ESTIMATING ONLY)
[MILLIMETERS]



WEIGHT :306.88 LBS [139.20 KGS]
 25-40HP@208V, 30-60HP@230V, 60-100HP@460V, 75-125HP@575V



OUTLINE - ASTAT - XT ENCLOSURE
 WALLMOUNT, TYPE-1

AN #	THIRD ANGLE PROJECTION	SHEET #
BL-0471		1 OF 1

DWG NO.	DATE	REV
270A8106	07/03/10	4