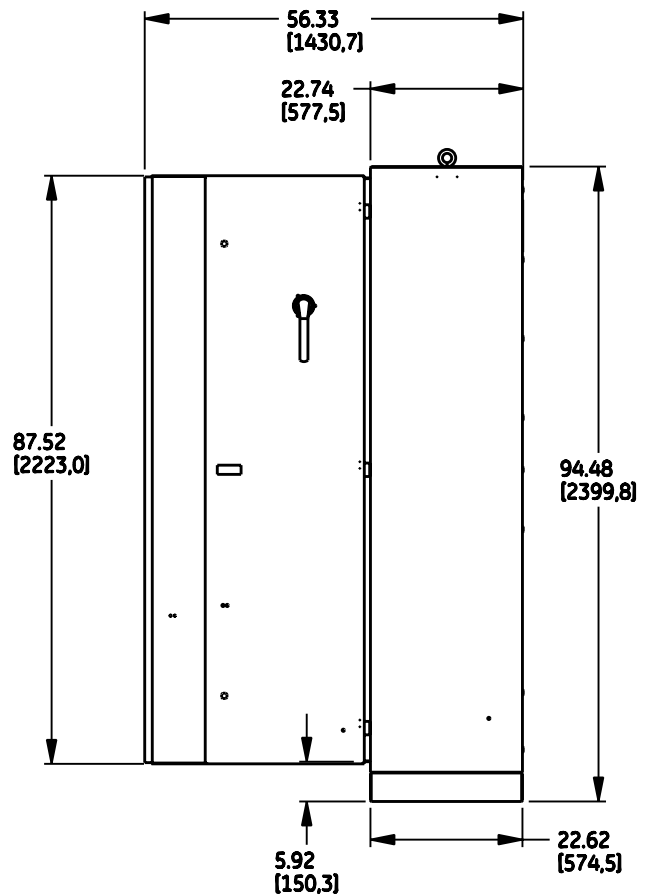
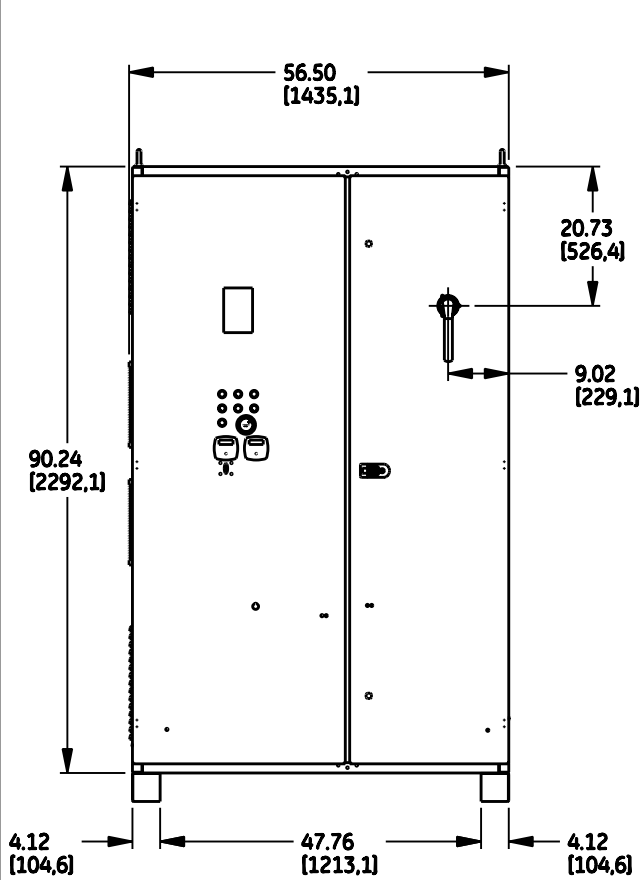
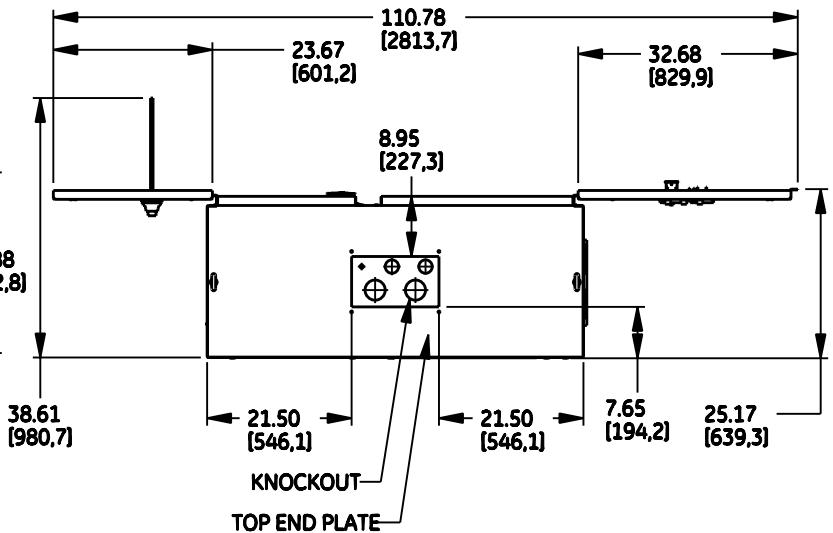
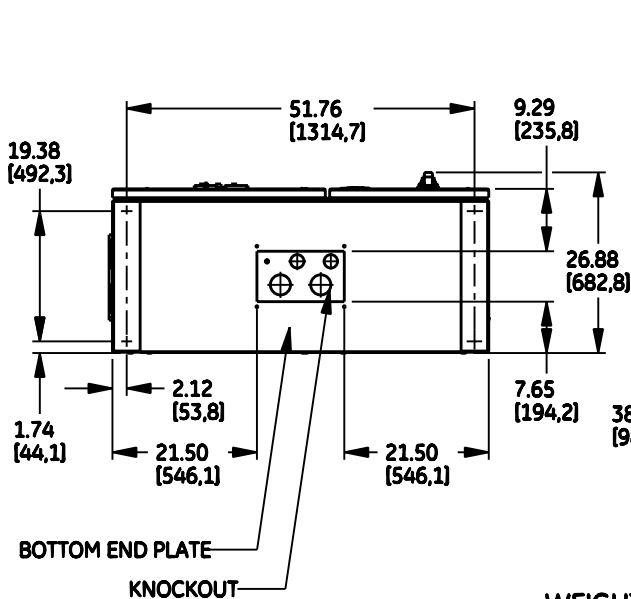


DUAL DIMENSIONS INCHES (ESTIMATING ONLY)  
[MILLIMETERS]



DOOR OPEN AT 90°



DOOR OPEN AT 180°

WEIGHT: 1106.79 LBS [502.04 KGS]  
150HP@208V, 200-250HP@230V, 350-500HP@460V AND 400-500HP@575V



OUTLINE - ASTAT - XT ENCLOSURE  
FLOORMOUNT, TYPE-1

AN #	THIRD ANGLE PROJECTION	SHEET #
BL-0466		1 OF 1

DWG NO.	DATE	REV
270A8109	07/03/10	3