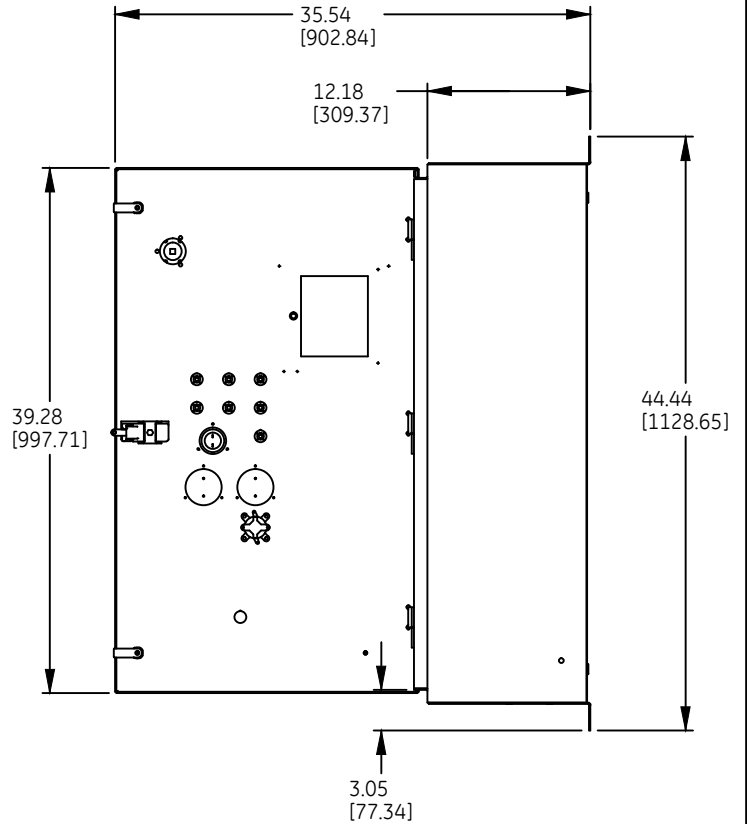
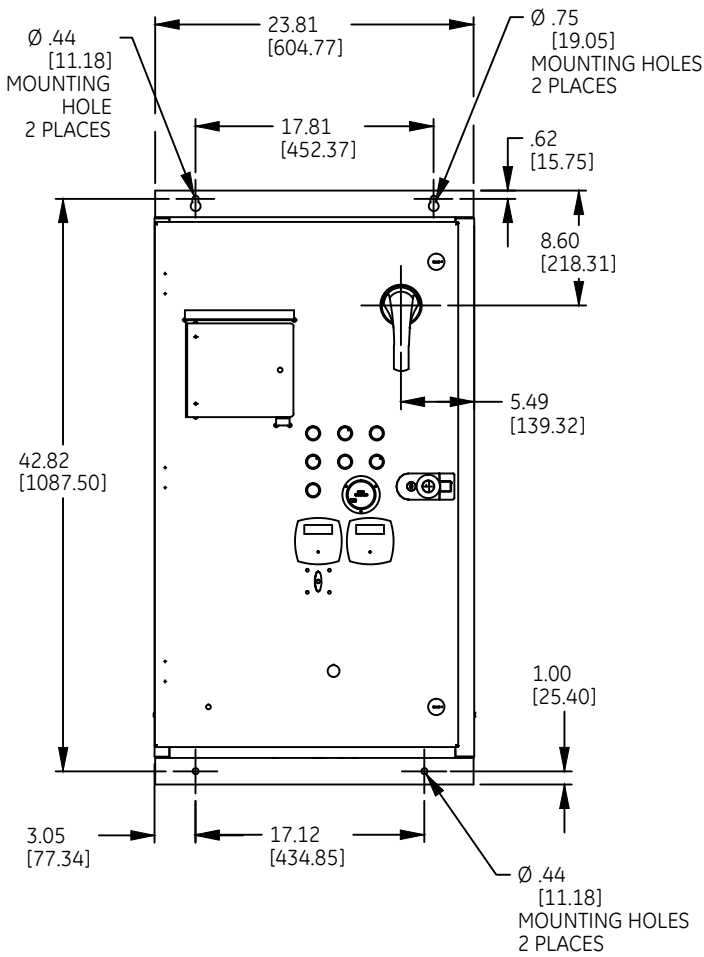
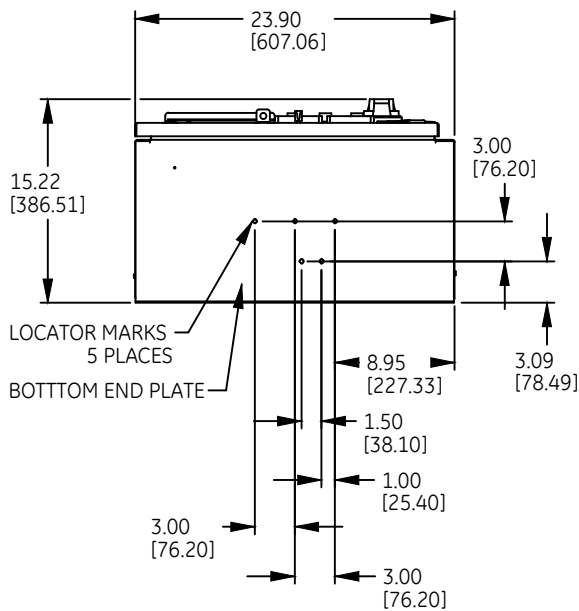


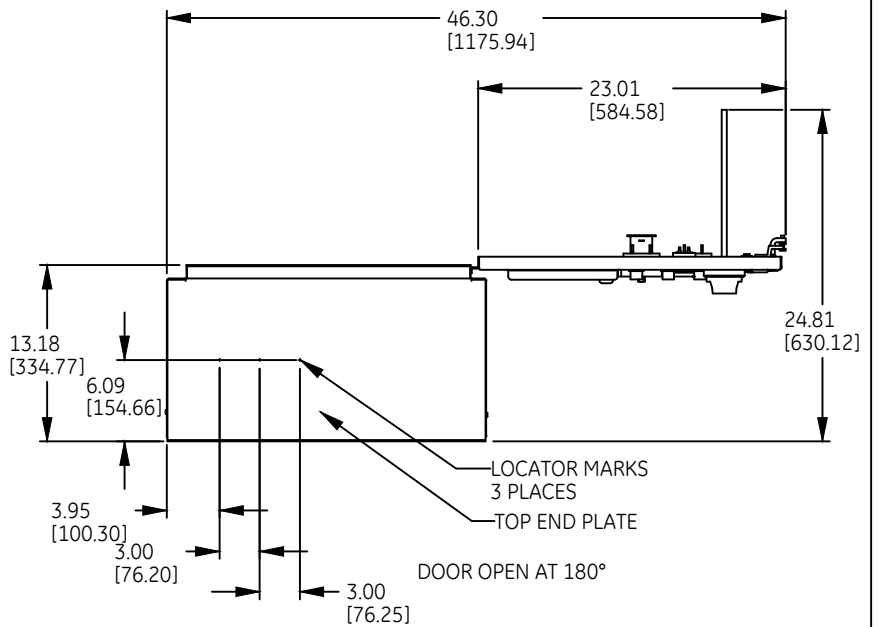
DUAL DIMENSIONS INCHES [MILLIMETERS] (ESTIMATING ONLY)



DOOR OPEN AT 90°



LOCATOR MARKS
5 PLACES
BOTTOM END PLATE



LOCATOR MARKS
3 PLACES
TOP END PLATE

DOOR OPEN AT 180°

WEIGHT :183.65 LBS [83.30 KGS]
10-20HP@208V, 15-25HP@230V, 30-50HP@460V, 40-60HP@575V



GE Energy

OUTLINE - ASTAT - XT ENCLOSURE
WALLMOUNT, TYPE-12

AN #	THIRD ANGLE PROJECTION	SHEET #
BL-0471		1 OF 1

DWG NO.

270A8111

DATE

07/05/10

REV

4