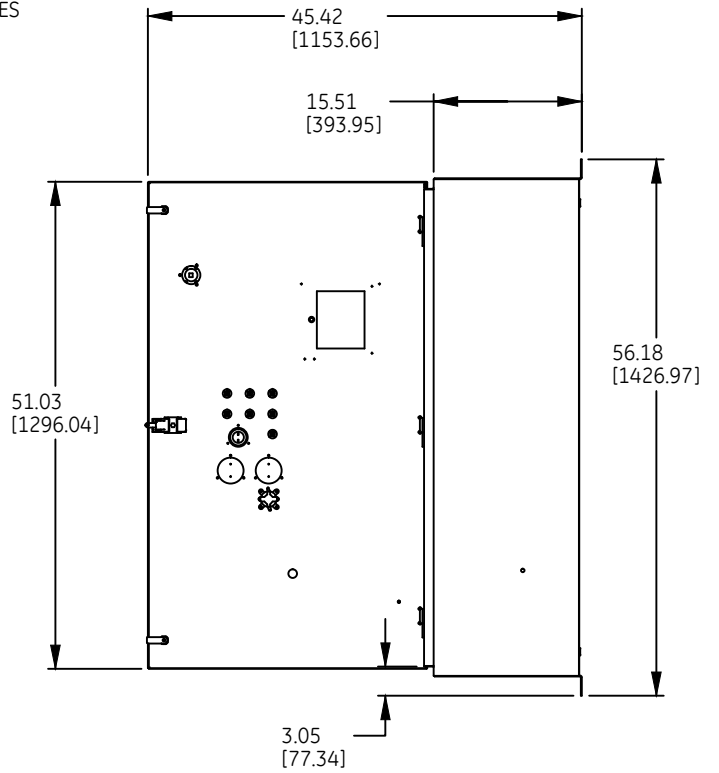
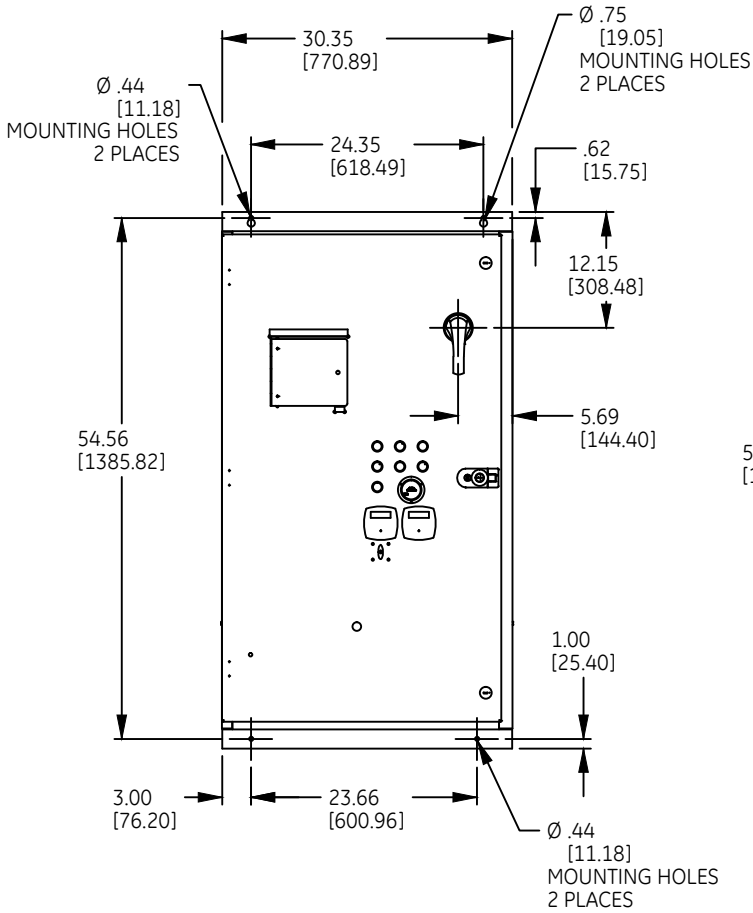
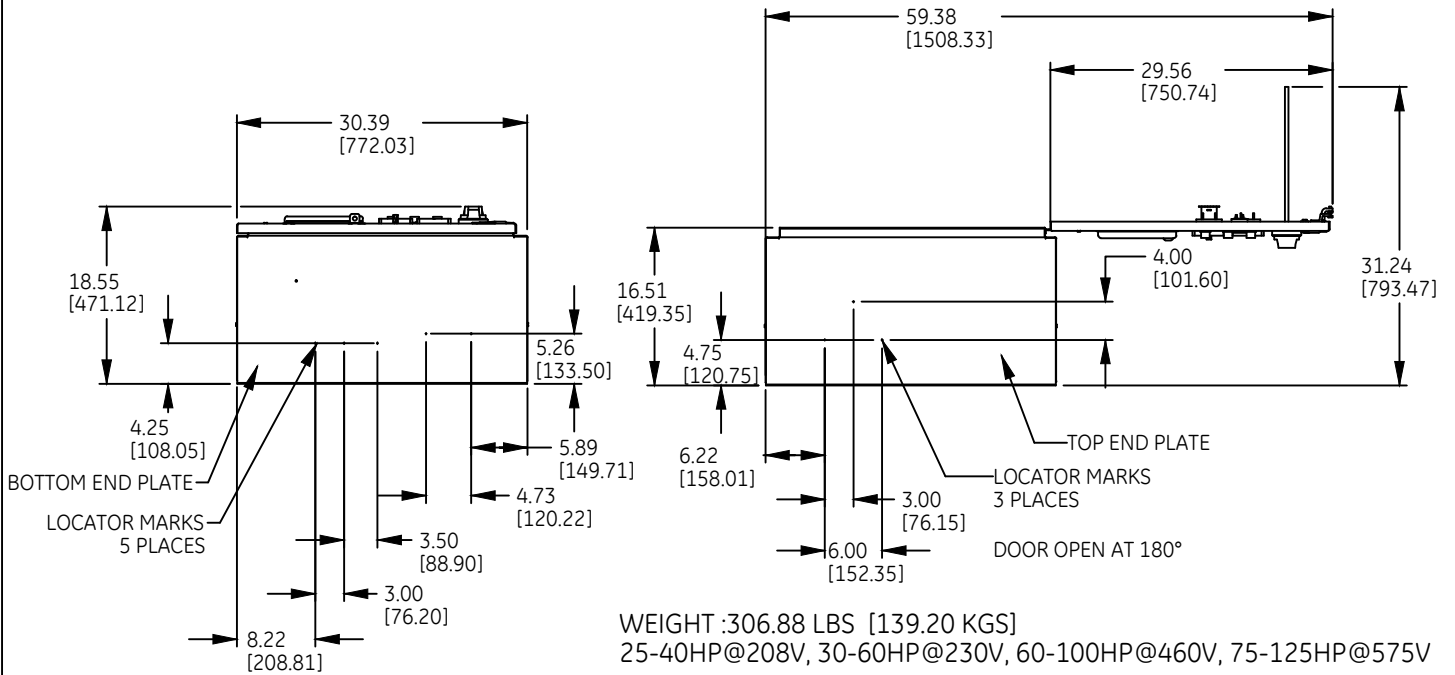


DUAL DIMENSIONS INCHES (ESTIMATING ONLY)
[MILLIMETERS]



DOOR OPEN AT 90°



WEIGHT :306.88 LBS [139.20 KGS]
25-40HP@208V, 30-60HP@230V, 60-100HP@460V, 75-125HP@575V



OUTLINE - ASTAT - XT ENCLOSURE
WALLMOUNT, TYPE-12

AN #	THIRD ANGLE PROJECTION	SHEET #
BL-0471		1 OF 1

DWG NO.	DATE	REV
270A8112	07/05/10	4