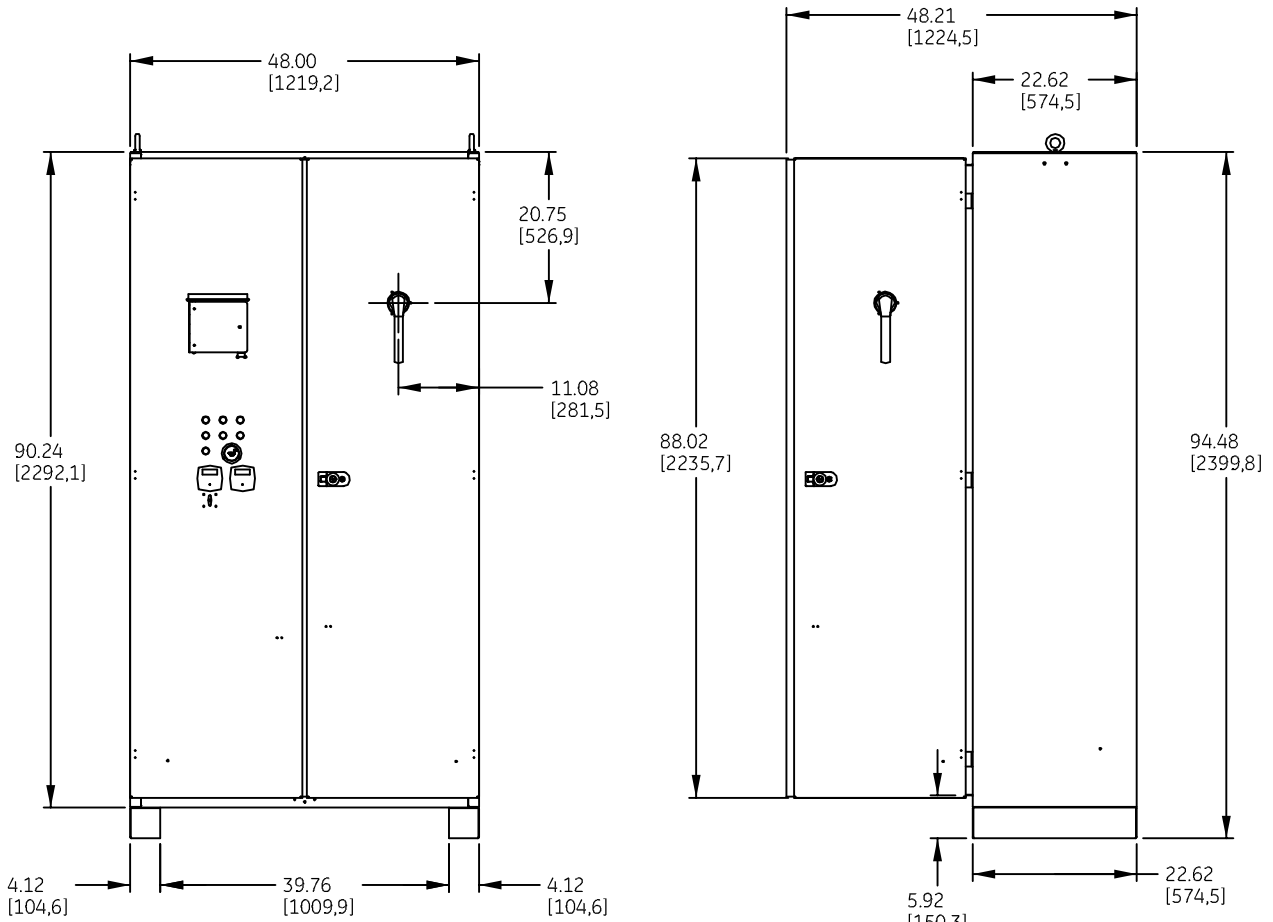
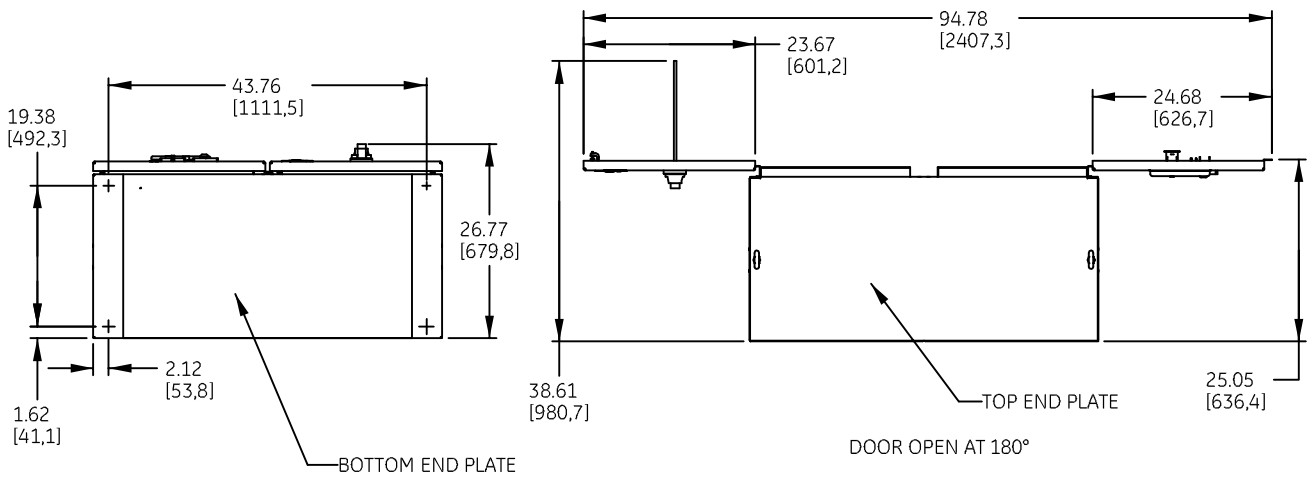


DUAL DIMENSIONS INCHES (ESTIMATING ONLY)  
[MILLIMETERS]



DOOR OPEN AT 90°



DOOR OPEN AT 180°

WEIGHT: 909.40 LBS [412.50 KGS]  
125HP@208V, 150HP@230V, 250-300HP@460V AND 300HP@575V



imagination at work

OUTLINE - ASTAT - XT ENCLOSURE  
FLOORMOUNT, TYPE-12

AN #	THIRD ANGLE PROJECTION	SHEET #
BL-0355		1 OF 1

DWG NO.	DATE	REV
270A8114	07/05/10	2