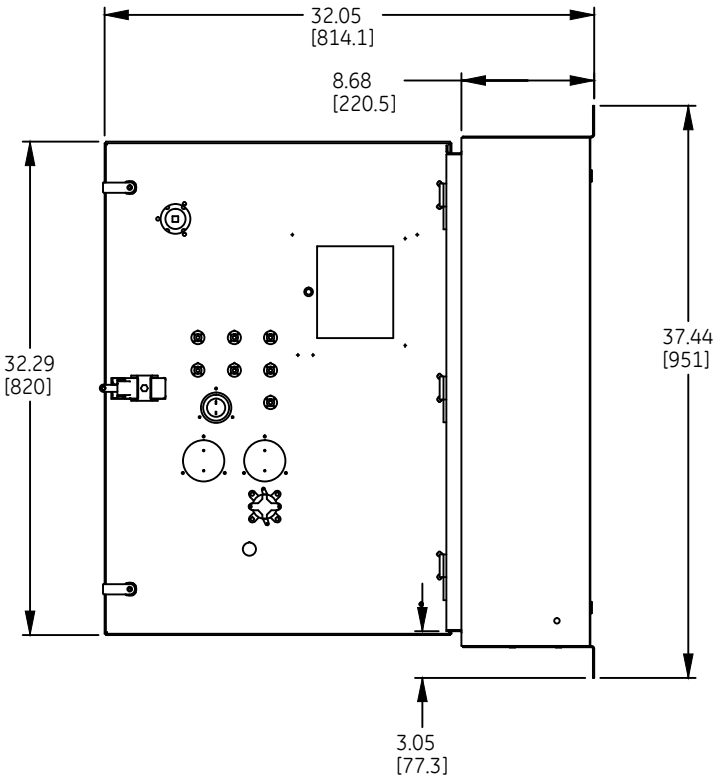
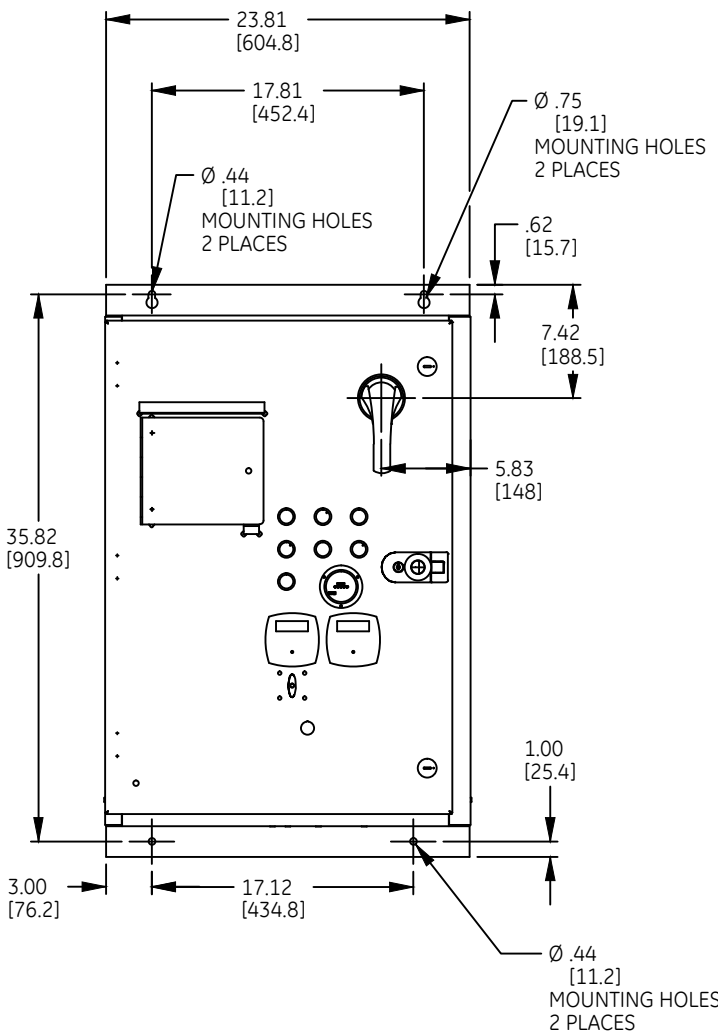
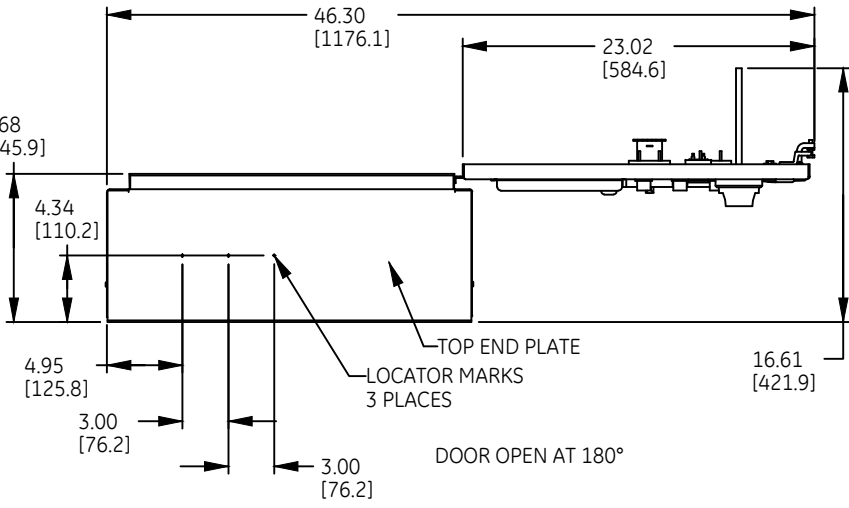
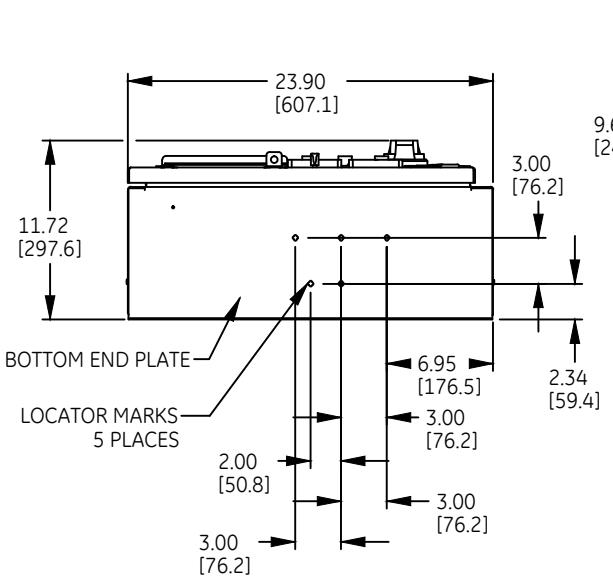


DUAL DIMENSIONS INCHES (ESTIMATING ONLY)
[MILLIMETERS]



DOOR OPEN AT 90°



DOOR OPEN AT 180°

WEIGHT :146.51 LBS [66.46 KGS]
2-7.5HP@208V, 2-10HP@230V, 5-25HP@460V, 5-30HP@575V



OUTLINE - ASTAT - XT ENCLOSURE
WALLMOUNT, TYPE-3R

AN #	THIRD ANGLE PROJECTION	SHEET #
BL-0471		1 OF 1

DWG NO.	DATE	REV
270A8115	07/06/10	3