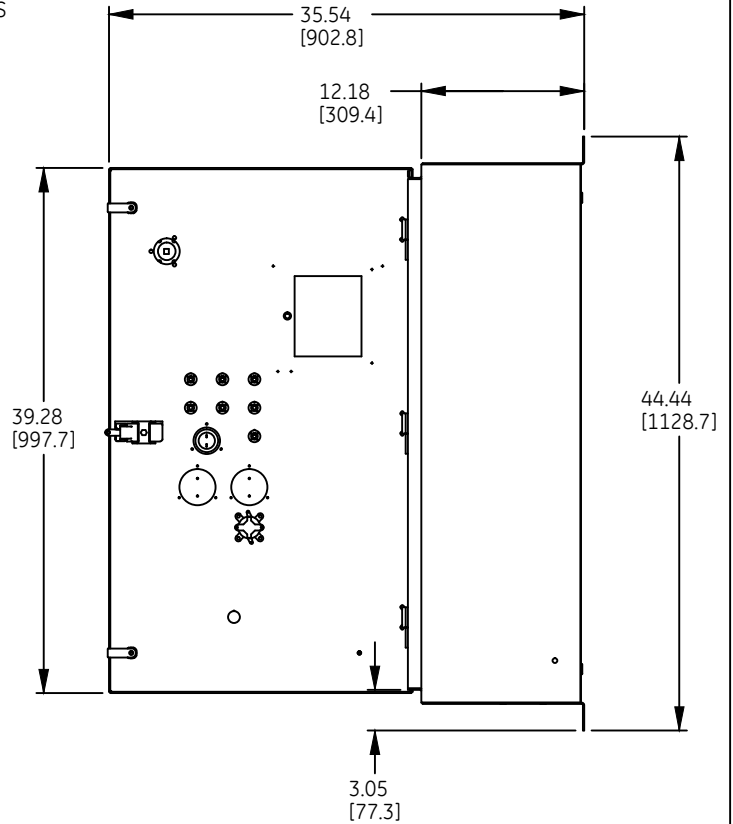
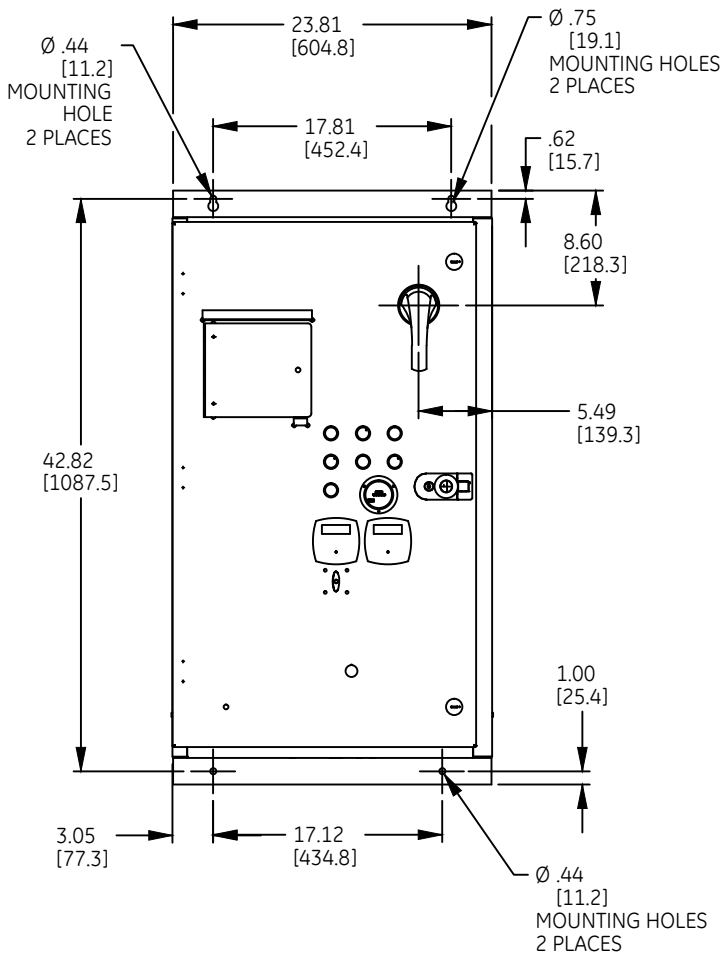
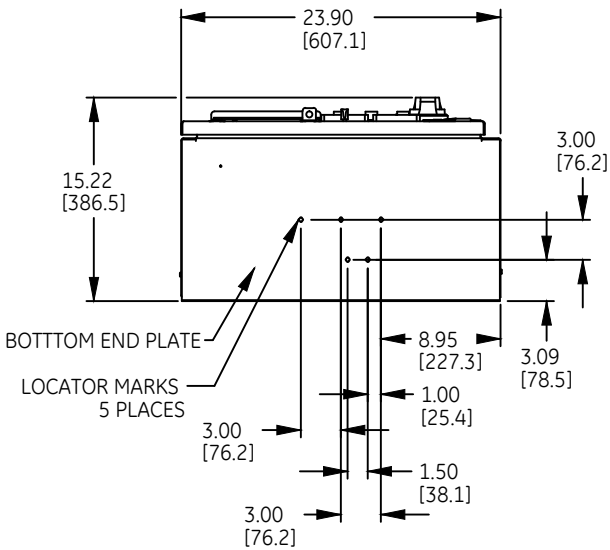


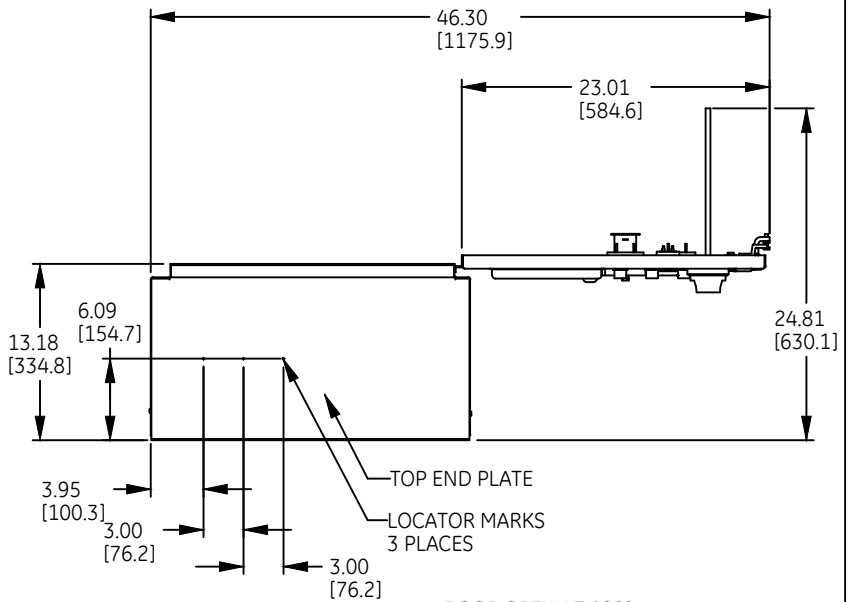
DUAL DIMENSIONS INCHES [MILLIMETERS] (ESTIMATING ONLY)



DOOR OPEN AT 90°



BOTTOM END PLATE
 LOCATOR MARKS 5 PLACES



DOOR OPEN AT 180°

WEIGHT :183.65 LBS [83.30 KGS]
 10-20HP@208V, 15-25HP@230V, 30-50HP@460V, 40-60HP@575V



GE Energy

OUTLINE - ASTAT - XT ENCLOSURE
 WALLMOUNT, TYPE-3R

AN #	THIRD ANGLE PROJECTION	SHEET #
BL-0471		1 OF 1

DWG NO.	DATE	REV
270A8116	07/06/10	3