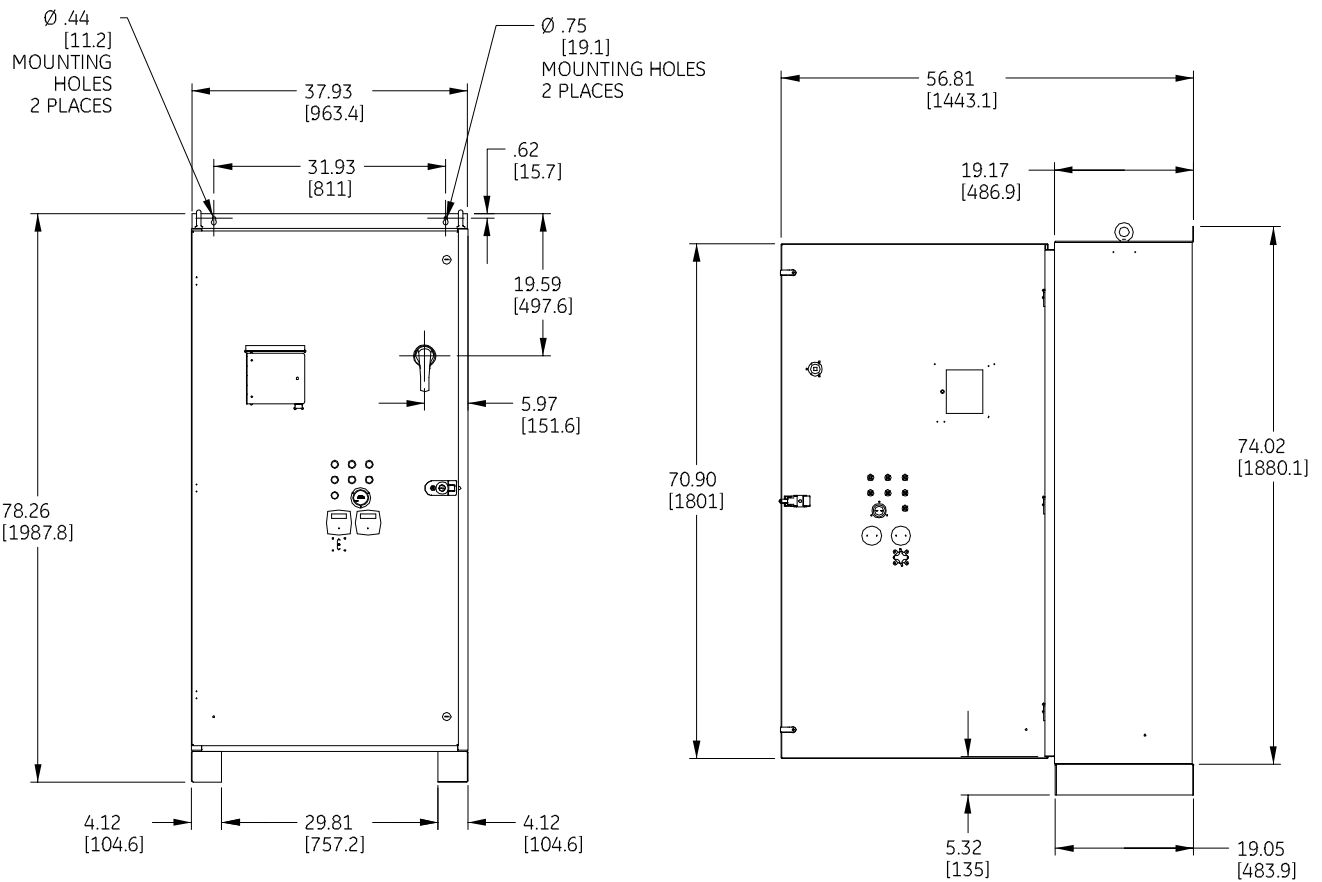
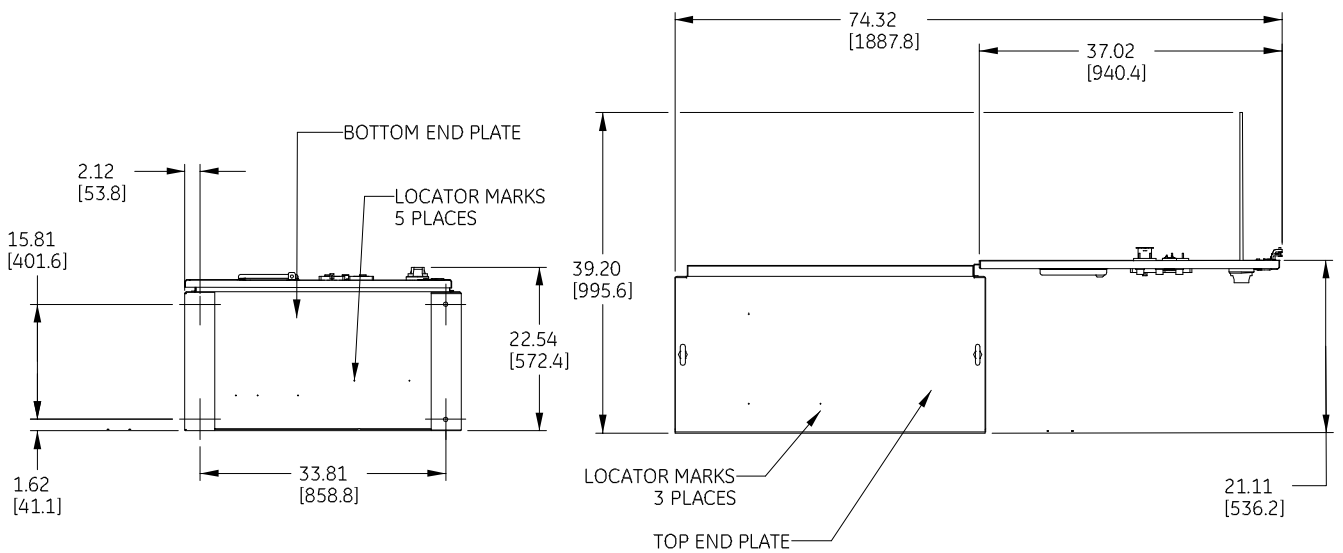


DUAL DIMENSIONS INCHES (ESTIMATING ONLY)
[MILLIMETERS]



DOOR OPEN AT 90°



DOOR OPEN AT 180°

WEIGHT :666.22 LBS [302.20 KGS]
50-100HP@208V, 75-100HP@230V, 125-200HP@460V AND 150-250HP@575V



imagination at work

OUTLINE - ASTAT-XT ENCLOSURE
FLOORMOUNT, TYPE-3R

AN #	THIRD ANGLE PROJECTION	SHEET #
BL-0355		1 OF 1

DWG NO.	DATE	REV
270A8118	07/06/10	2