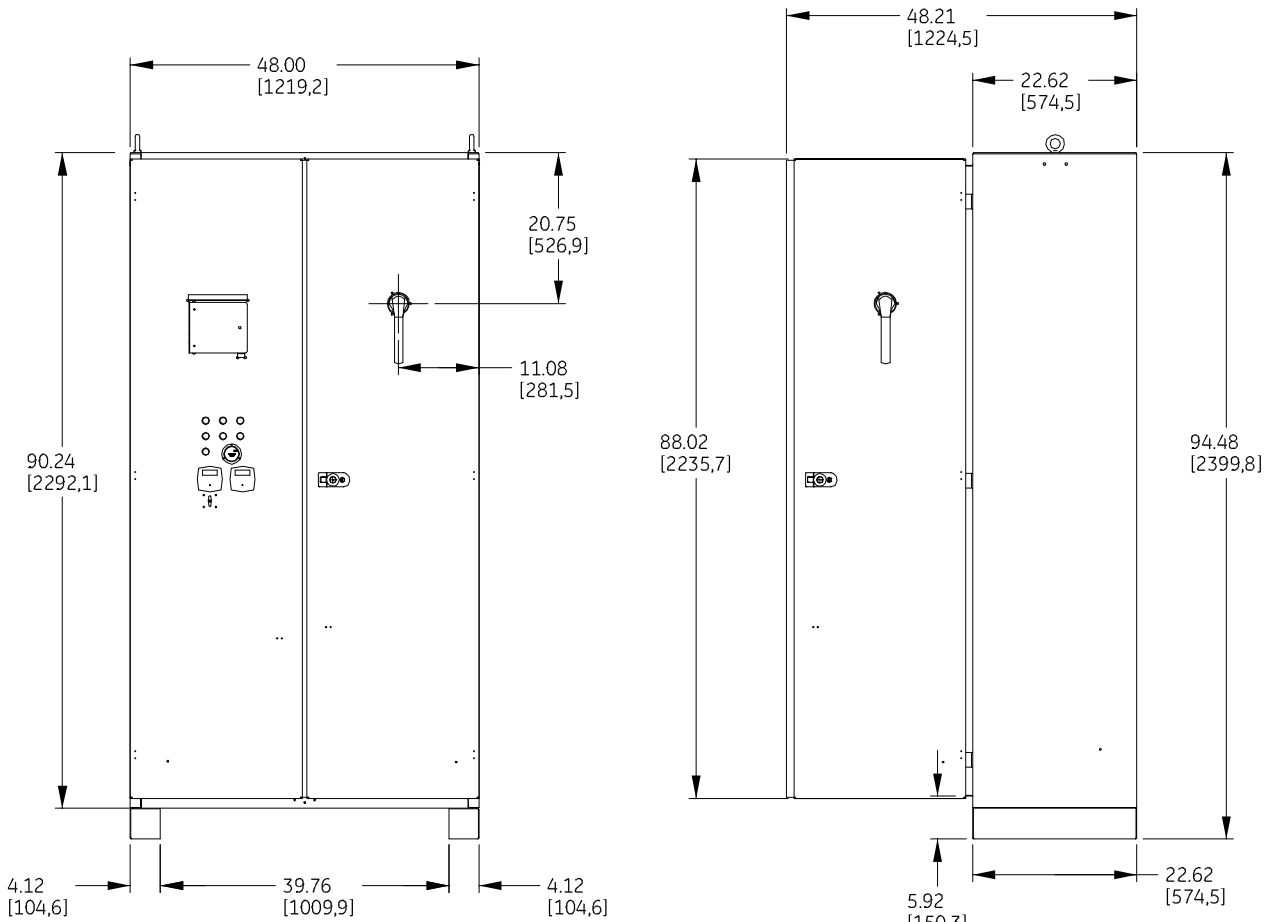
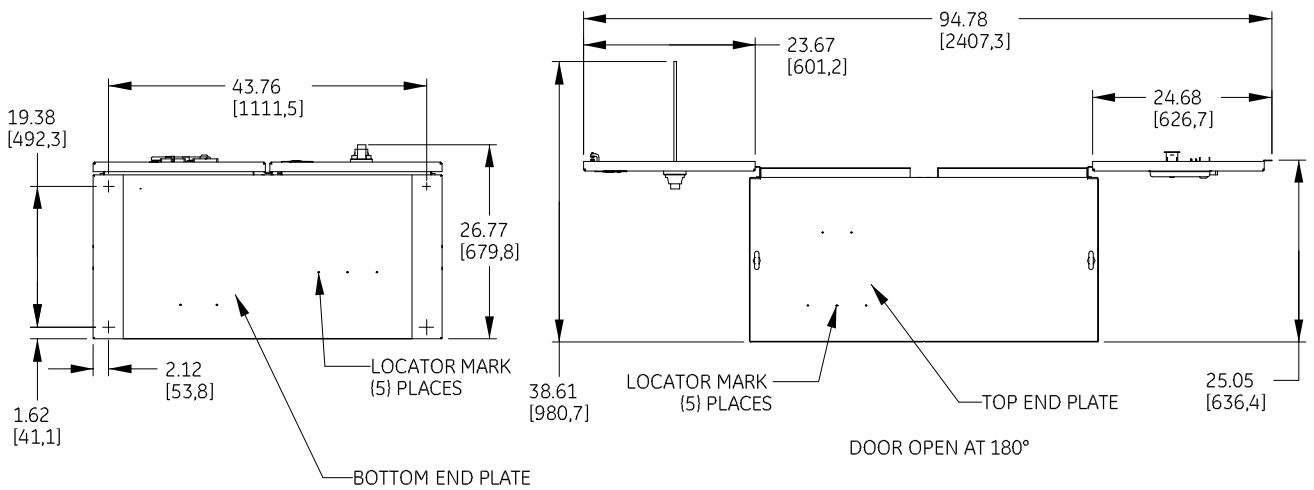


DUAL DIMENSIONS INCHES (ESTIMATING ONLY)
[MILLIMETERS]



DOOR OPEN AT 90°



DOOR OPEN AT 180°

WEIGHT: 927.48 LBS [420.70 KGS]
125HP@208V, 150HP@230V, 250-300HP@460V AND 300HP@575V



imagination at work

OUTLINE - ASTAT - XT ENCLOSURE
FLOORMOUNT, TYPE-3R

AN #	THIRD ANGLE PROJECTION	SHEET #
BL-0355		1 OF 1

DWG NO.	DATE	REV
270A8119	07/06/10	2