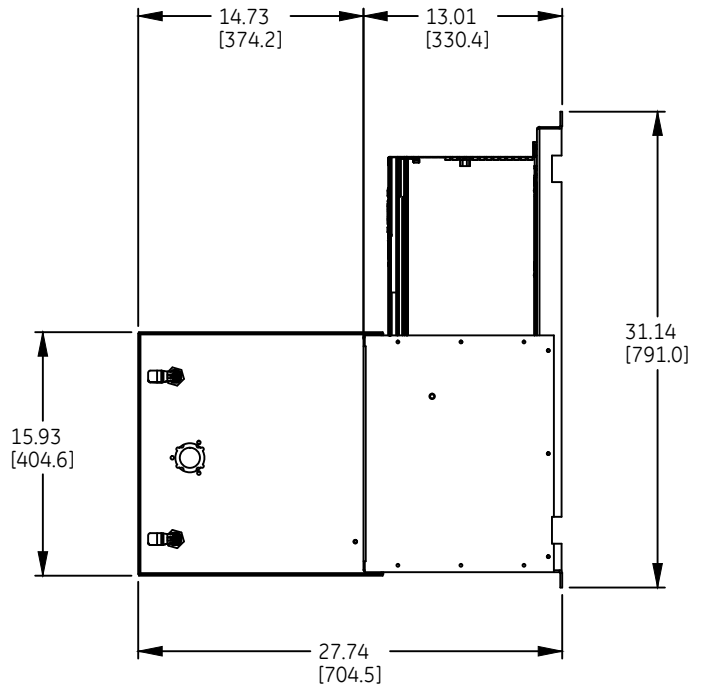
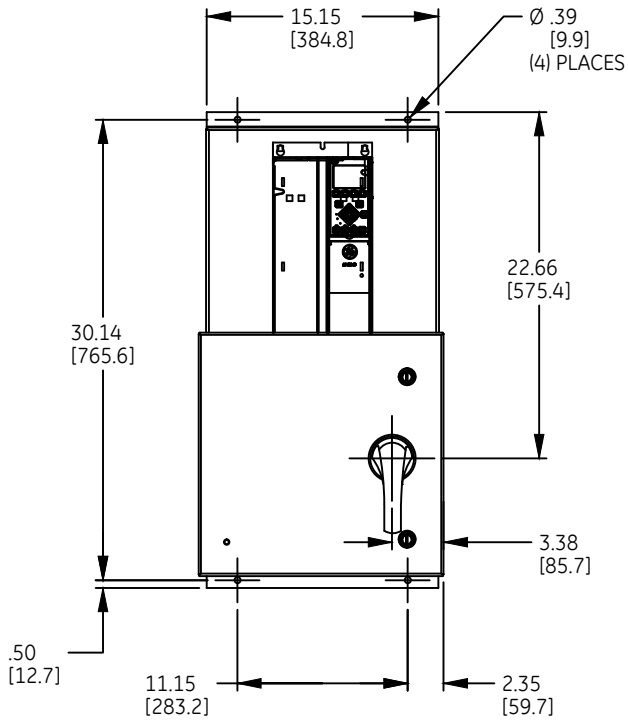
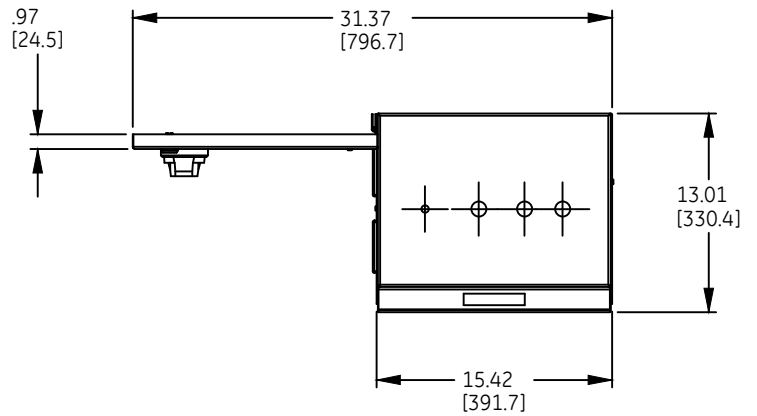
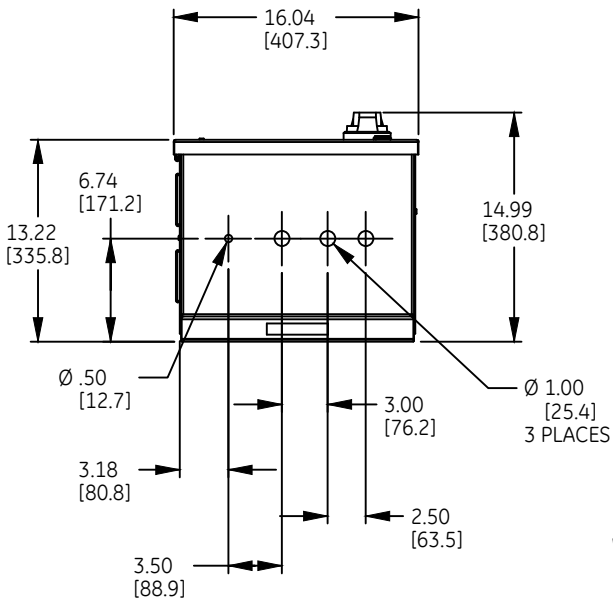


INCHES  
DUAL DIMENSIONS (ESTIMATING ONLY)  
(MILLIMETERS)



DOOR OPEN AT 90°



DOOR OPEN AT 180°

WEIGHT: 120LBS [54.44KGS]  
 FP: 1-15 HP @208V, 1-25HP@460V& 1-25HP@575V  
 GP: 1-10 HP@208V, 1-20HP@460V& 1-20HP@575V



GE Energy

OUTLINE-DRIVE DISCONNECT  
 AF600FP/650GP TYPE-1

AN #	THIRD ANGLE PROJECTION	SHEET #
BL-0471		1 OF 1

DWG NO.	DATE	REV
270A8160	06/09/11	3