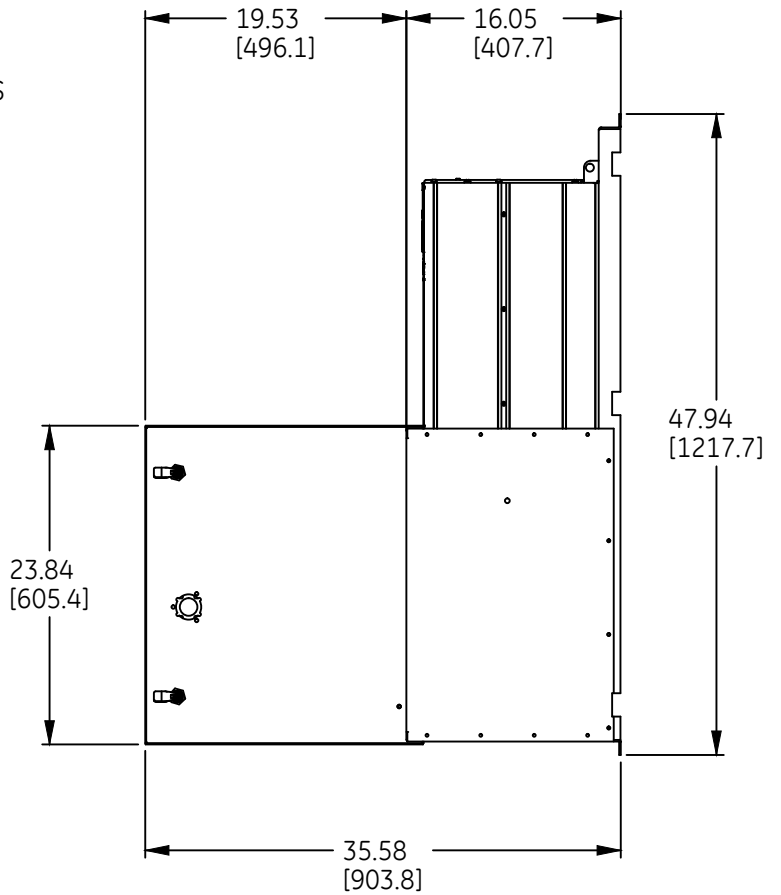
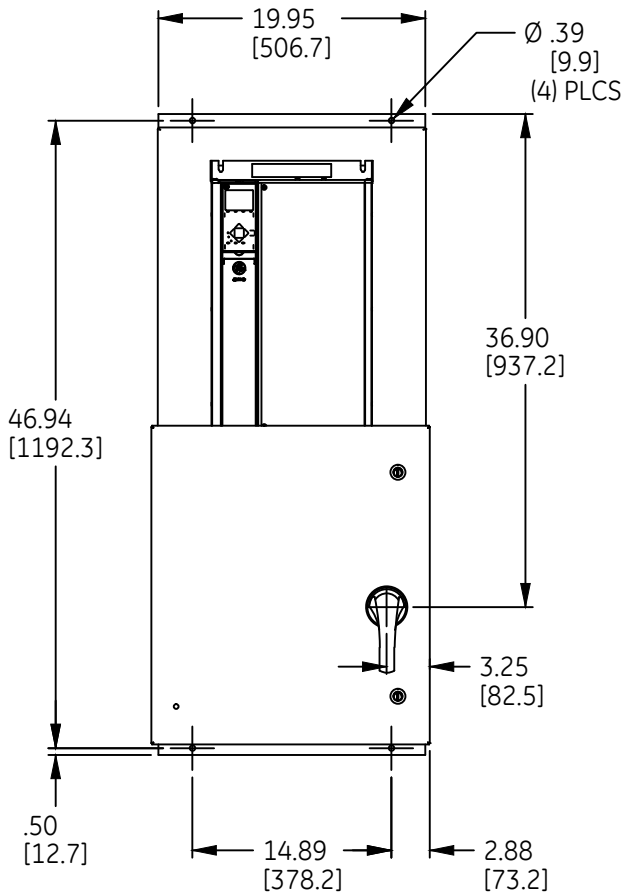
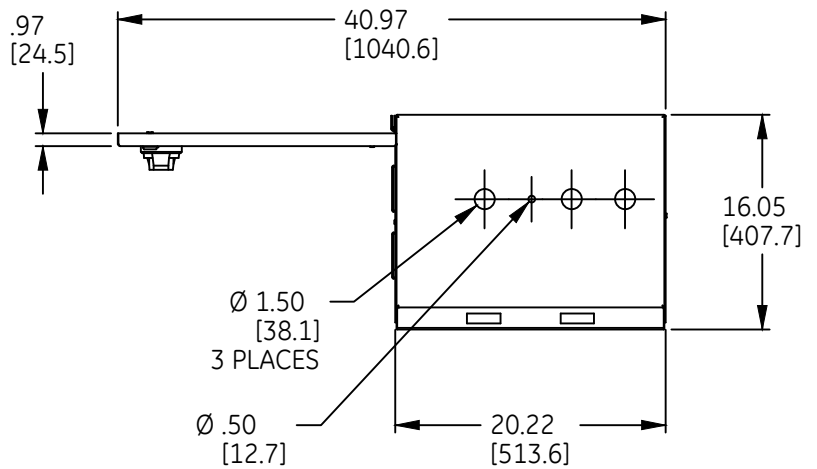
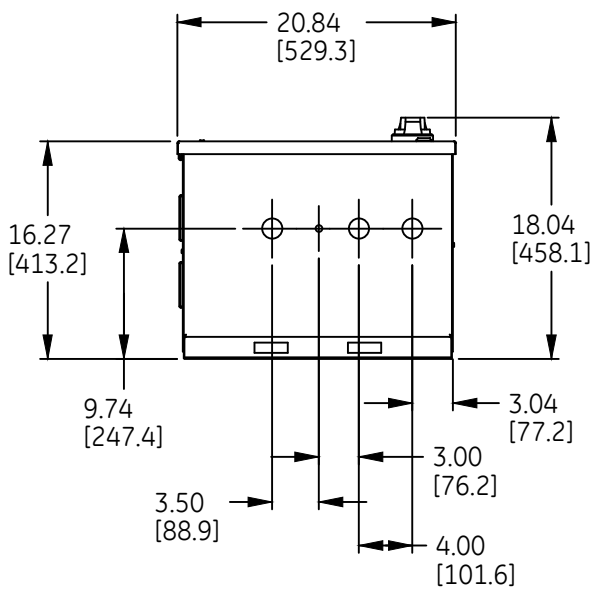


DUAL DIMENSIONS INCHES (ESTIMATING ONLY)
(MILLIMETERS)



DOOR OPEN AT 90°



DOOR OPEN AT 180°

WEIGHT : 245LBS [111.16KGS]

FP : 20-30HP@208V, 30-75HP@460V & 30-75HP@575V
GP : 15-30HP@208V, 25-60HP@460V & 25-60HP@575V



GE Energy

OUTLINE-DRIVE DISCONNECT
AF 600FP/650GP TYPE-1

AN #	THIRD ANGLE PROJECTION	SHEET #
BL-0471		1 OF 1

DWG NO.

270A8162

DATE

10/08/11

REV

3