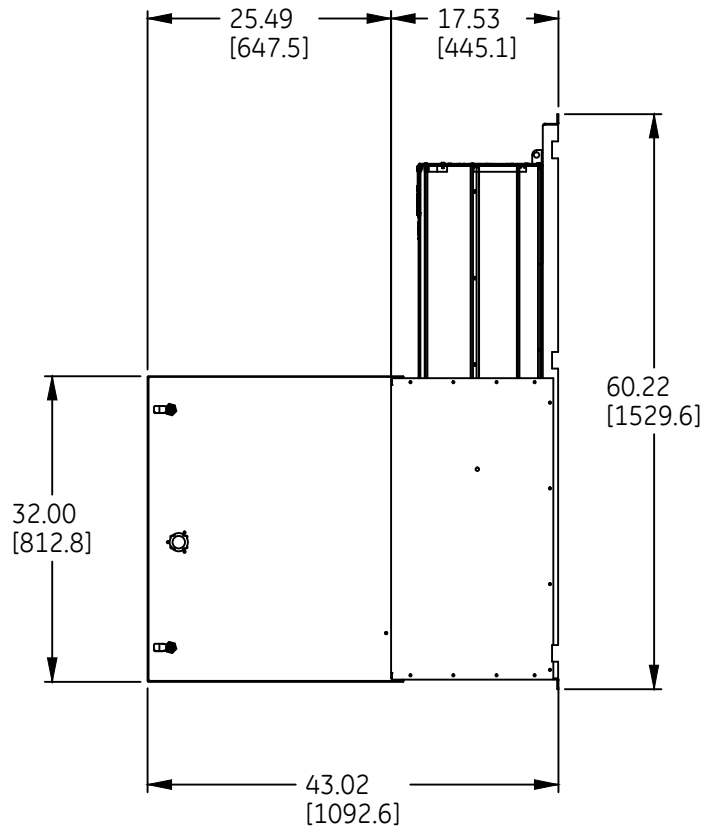
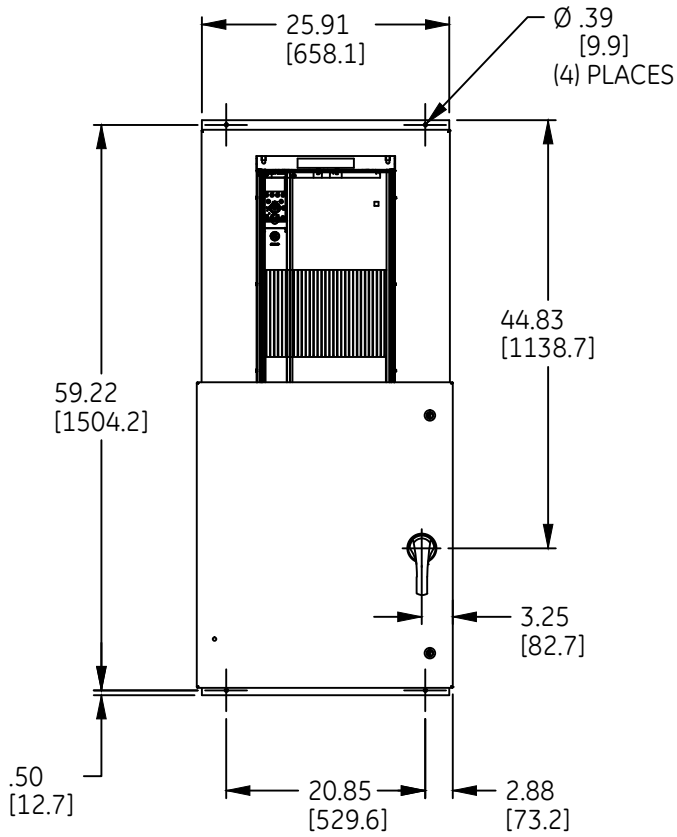
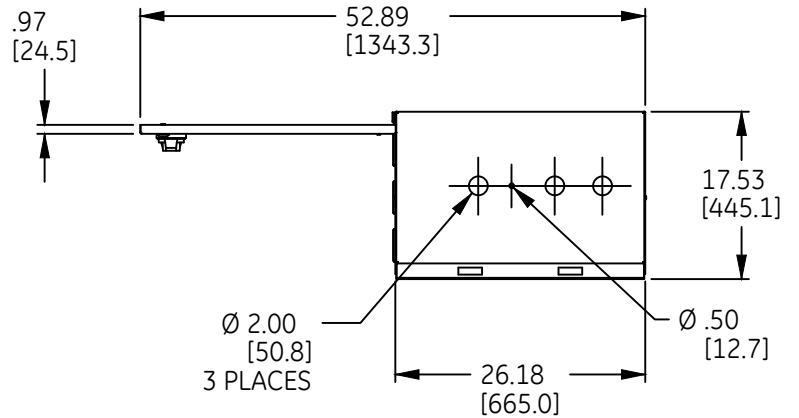
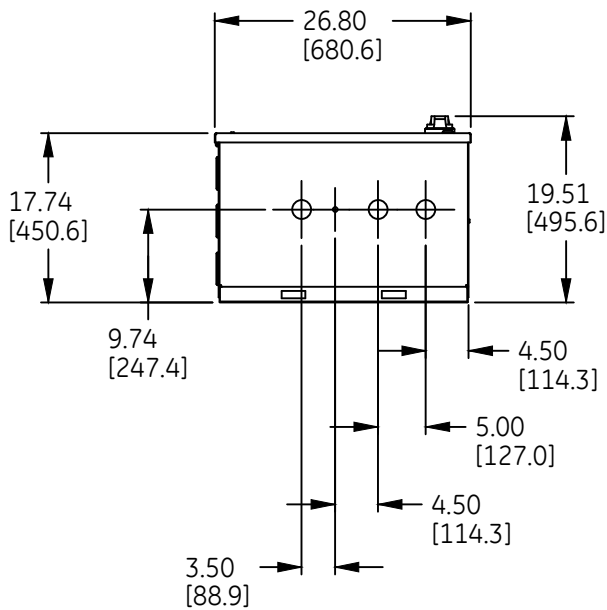


DUAL DIMENSIONS INCHES (ESTIMATING ONLY)
(MILLIMETERS)



DOOR OPEN AT 90°



DOOR OPEN AT 180°

WEIGHT : 345LBS [156.53KGS]
 FP : 40-60HP@208V, 100-125HP@460V & 100-125HP@575V
 GP : 40-50HP@208V, 75-100HP@460V & 75-100HP@575V



GE Energy

OUTLINE - DRIVE DISCONNECT
 AF 600FP/650GP TYPE-1

| AN # | THIRD ANGLE PROJECTION | SHEET # |
|---------|------------------------|---------|
| BL-0471 | | 1 OF 1 |

| DWG NO. | DATE | REV |
|----------|----------|-----|
| 270A8163 | 06/09/11 | 3 |