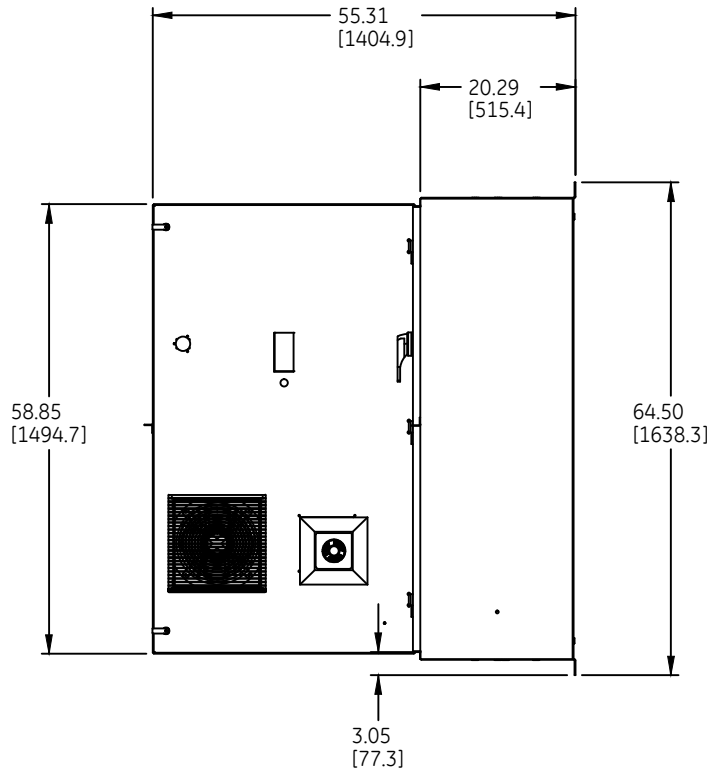
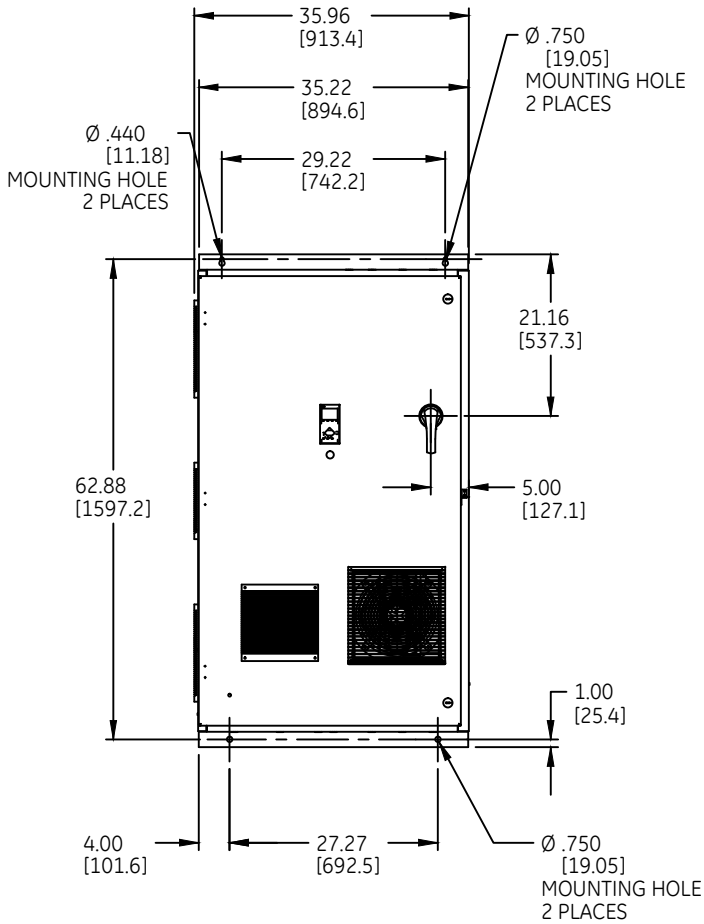
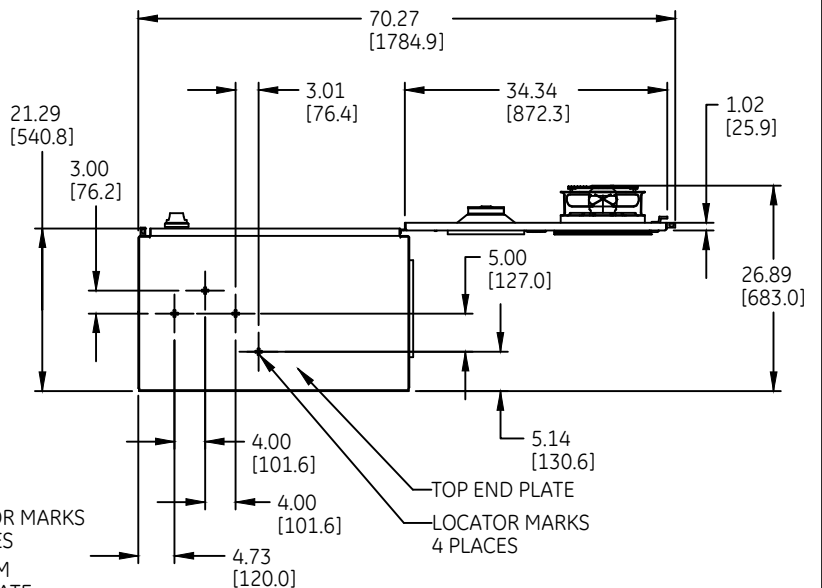
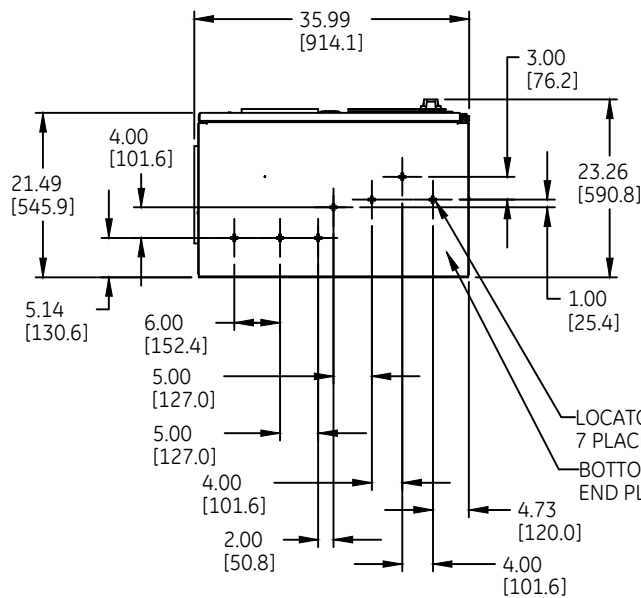


DUAL DIMENSIONS INCHES (ESTIMATING ONLY)
(MILLIMETERS)



DOOR OPEN AT 90°



DOOR OPEN AT 180°

WEIGHT : 707LBS [320.78KGS]
 FP : 150-200HP@460V & 150-200HP@575V
 GP : 125-150HP@460V & 125-200HP@575V



GE Energy

OUTLINE-DRIVE DISCONNECT
 AF 600FP/650GP TYPE-1

AN #	THIRD ANGLE PROJECTION	SHEET #
BL-0471		1 OF 1

DWG NO.	DATE	REV
270A8164	10/18/11	3