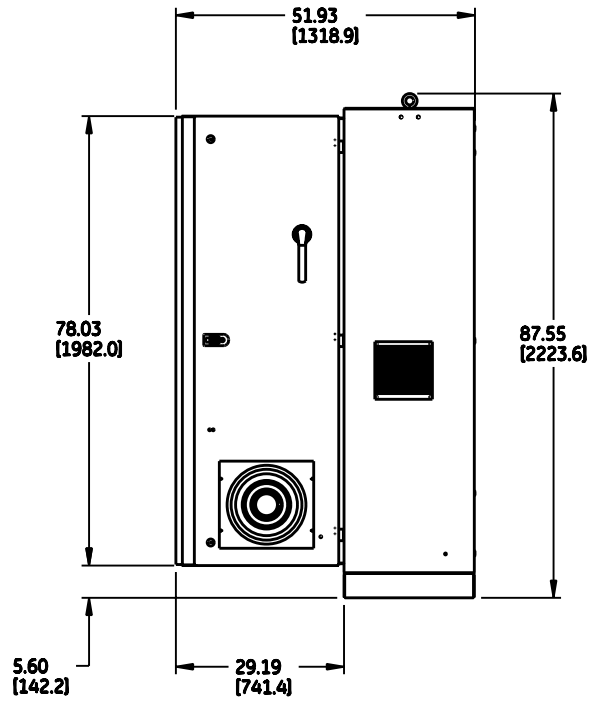
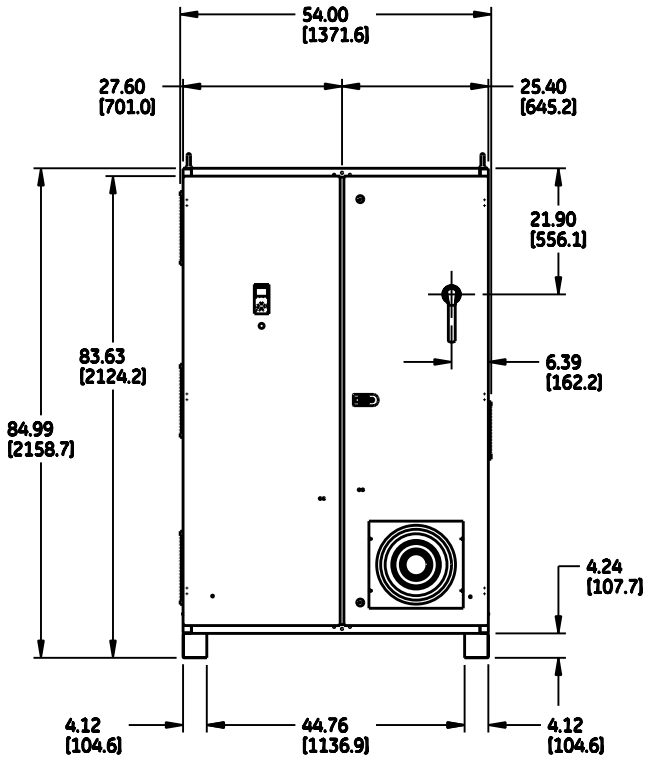
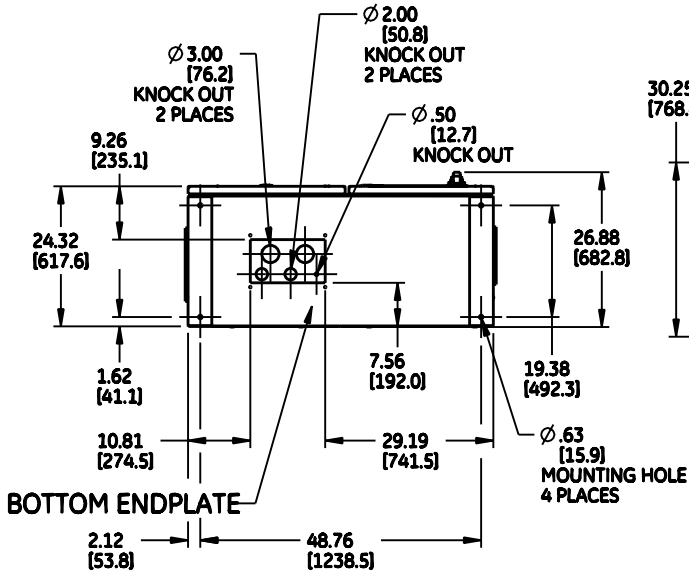


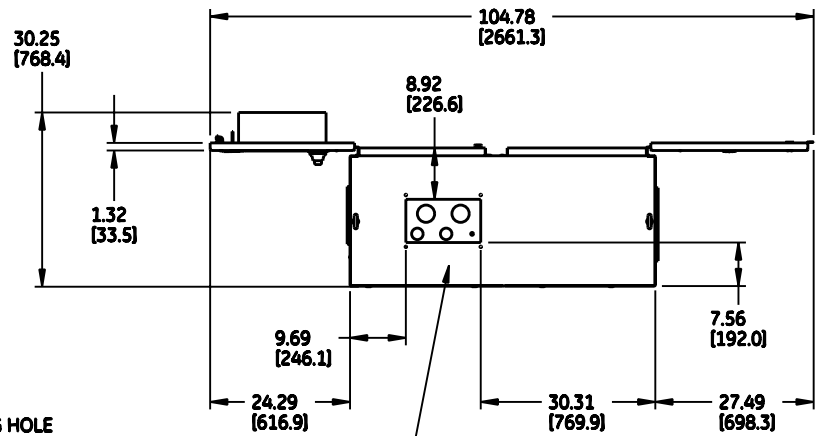
DUAL DIMENSIONS INCHES (ESTIMATING ONLY)  
(MILLIMETERS)



DOOR OPEN AT 90°



BOTTOM ENDPLATE



TOP ENDPLATE

DOOR OPEN AT 180°

WEIGHT : 1575LBS [714.60KGS]  
 FP : 450-600HP@460V & 450-650HP@575V  
 GP : 350-550HP@460V & 500-600HP@575V



GE Energy

OUTLINE-DRIVE DISCONNECT  
 AF 600FP/650GP TYPE-1

AN #	THIRD ANGLE PROJECTION	SHEET #
BL-0466		1 OF 1

DWG NO.	DATE	REV
270A8166	10/31/11	3