

Style No.	Duty cycle kV	MCOV kVrms	Height		Creepage		lbs	kg	Minimum Clearance from Centerline		Figure	
			in	mm	in	mm			Phase to Ground	Phase to Phase		S
U003SA002BUH	3	2.55	9.82	249	6.02	153	5.0	2.3	6.5	10.5	266	1
U004SA003BUH	4	3.40	9.82	249	6.02	153	5.0	2.3	6.5	10.5	266	
U006SA005BUH	6	5.10	9.82	249	6.02	153	5.0	2.3	6.5	10.5	266	
U007SA005BUH	7	5.95	9.82	249	6.02	153	5.0	2.3	6.5	10.5	266	
U009SA007BUH	9	7.65	11.72	298	12.04	306	6.0	2.7	6.5	10.5	266	
U010SA008BUH	10	8.40	11.72	298	12.04	306	6.0	2.7	6.5	10.5	266	
U012SA010BUH	12	10.20	11.72	298	12.04	306	6.0	2.7	6.5	10.5	266	2
U015SA012BUH	15	12.70	13.56	344	18.11	460	7.0	3.2	7.0	10.5	266	
U018SA015BUH	18	15.30	13.56	344	18.11	460	7.0	3.2	8.0	11.0	279	3
U021SA017BUH	21	17.00	13.56	344	18.11	460	7.0	3.2	9.0	12.0	304	
U024SA019BUH	24	19.5	15.41	391	24.00	610	8.0	3.6	10.0	13.0	330	4
U027SA022BUH	27	22.00	15.41	391	24.00	610	8.0	3.6	11.0	14.0	355	
U030SA024BUH	30	24.40	15.41	391	24.00	610	8.0	3.6	12.0	15.0	381	5
U036SA029BUH	36	29.00	24.57	624	51.6	1311	14	6.4	16.9	17.2	437	

NOTES:

1. INCREASE CLEARANCES "S" & "T" 3% PER EACH 1,000 FT. OVER 6,000 FT.
2. ARRESTER ASSEMBLY CONSISTS OF ARRESTER UNIT, LINE & GROUND TERMINALS
3. MINIMUM DIMENSIONS FOR ARRESTERS OTHER APPARATUS STANDARDS, OTHER SPECIFICATIONS OR LOCAL CODES MAY REQUIRE GREATER SPACING
4. LINE & GROUND TERMINALS CAN ACCOMMODATE CU. OR AL. CABLE SIZE NO.2 TO 600 MCM (.250 TO .937) DIA. GROUND TERMINAL CAN BE LOCATED ON ANY LUG.
5. MTG. SLOTS FOR .500 DIA. HARDWARE (3) EQUALLY SPACED ON 8.75 B.C. THICKNESS OF LUG = 0.145

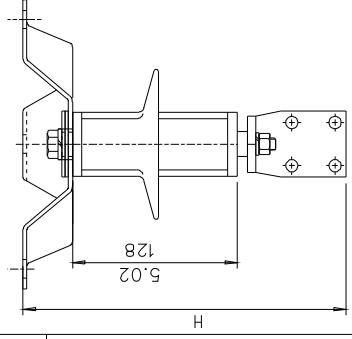


FIGURE 1

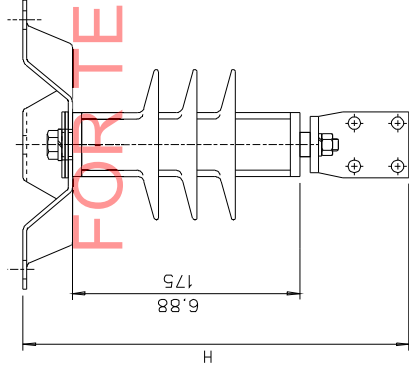


FIGURE 2

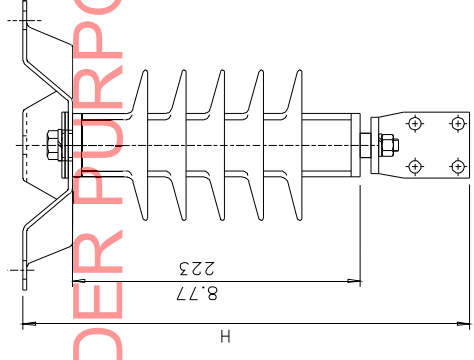


FIGURE 3

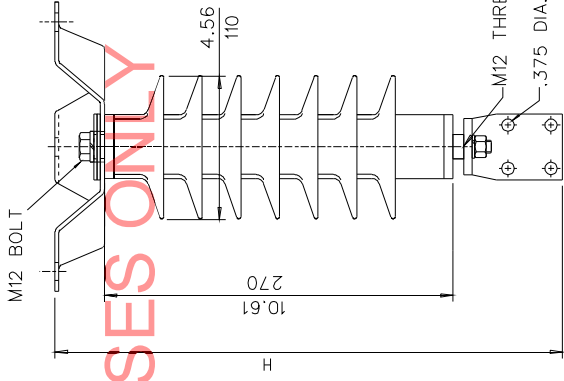


FIGURE 4

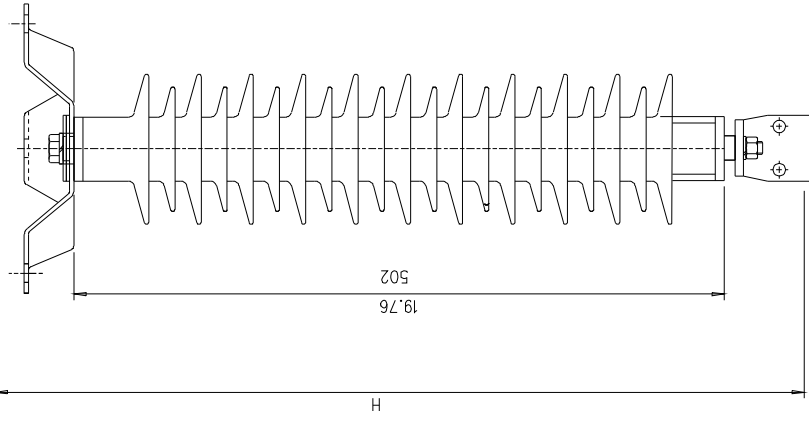


FIGURE 5

ALL DIMENSIONS IN INCHES UNLESS NOTED

This drawing is the property of ABB Inc. and contains proprietary information. It is not to be duplicated, used or disclosed other than expressly authorized by ABB Inc.

01	MAY 7, 2004	U036SA029BUH	REVISED	TDS/JNL
02	AUG.10, 2004	U07SA005BUH	REVISED	JPN/JNL
03	JULY 19, 2005	U036SA029BUH	REVISED	JPN/JNL

UNDERHUNG XPI-III ARRESTER  
3-36kV  
OUTLINE

ABB Inc.  
Westmoreland Distribution Park East  
100 Distribution Circle, Mount Pleasant, PA 15666

CAD DWG MICROSTATION VER 5  
SCALE 1 - 3  
ASSY. DWG.

AMC	JNL	APV
DWN	CHKD	APRD

200433  
SHEET 1 OF 2

REV. DESCRIPTION & DATE

bdr-c-ir