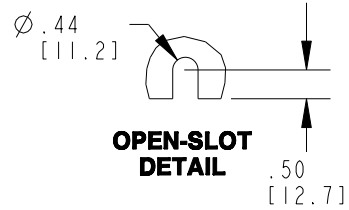
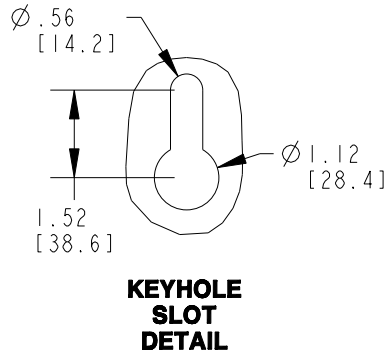
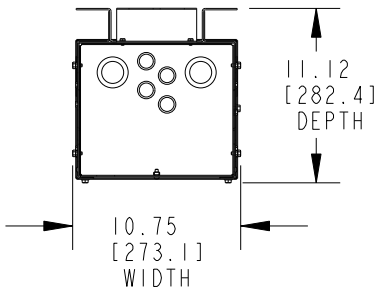
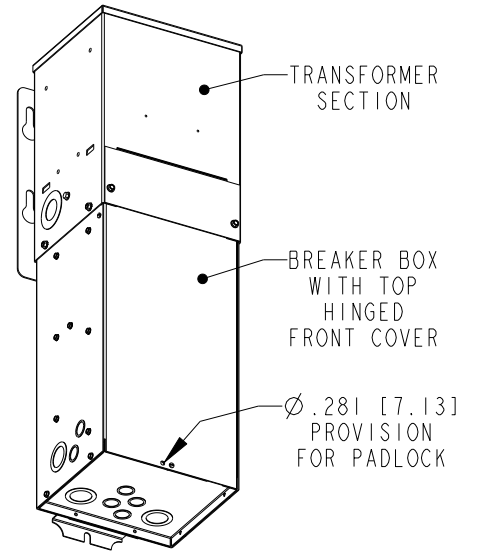
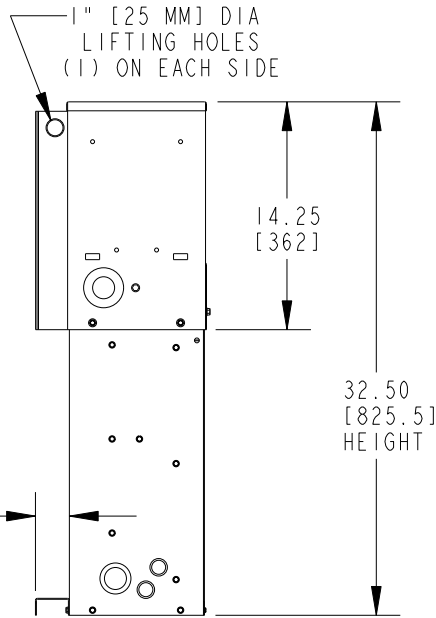
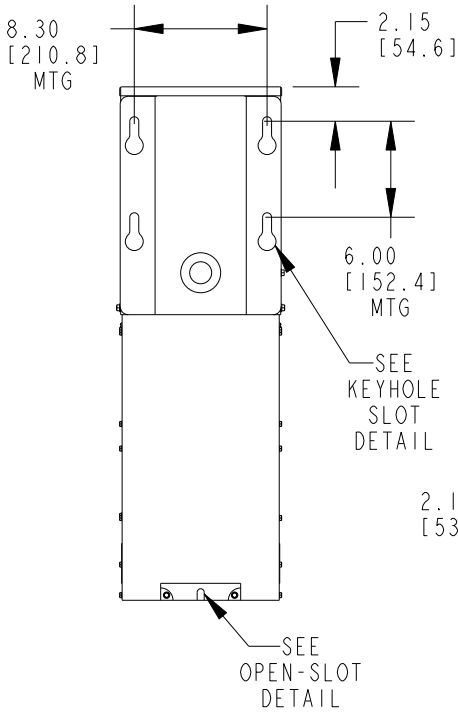


**REAR VIEW**

**SIDE VIEW**

**ISOMETRIC VIEW**



**BOTTOM VIEW**

**kVA RATING:**  
**K-FACTOR:**  
**PRI VOLTAGE:**  
**SEC VOLTAGE:**  
**FREQ (Hz):**  
**TEMP RISE:**  
**WINDING MATL:**  
**ES SHIELD:**  
**SOUND LVL (dB):**

KNOCKOUTS	CONDUIT SIZE	QUANTITY	
		EACH SIDE	REAR/BOTTOM
TRANSFORMER	1" OR 2" [27 OR 53]	1	1
BREAKER BOX	1/2" OR 3/4" [16 OR 21]	2	4
	1" OR 1-1/2" [27 OR 41]	1	2

**APPROX TOTAL WEIGHT**  
**130 LBS [59 KG]**

<b>JOB NAME:</b> <b>SPEEDI PROP:</b>	<b>UNLESS OTHERWISE SPECIFIED ALL DIMENSIONS ARE INCH [MM]</b>		<b>GE Energy</b>
	<b>THIRD ANGLE PROJECTION</b> 		
<b>CAD DRAWING: 303B915AAP005</b>	<b>SHEET 1 OF 1</b>	<b>CATALOG #</b>	<b>REV 5</b>