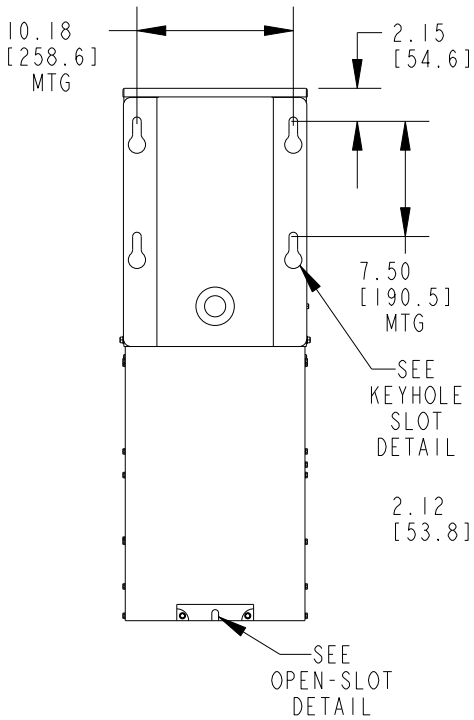
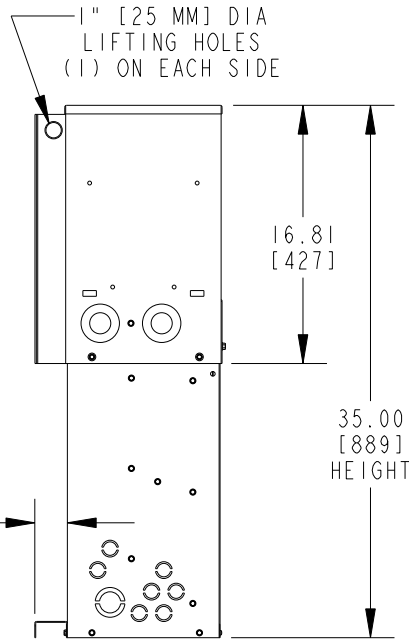


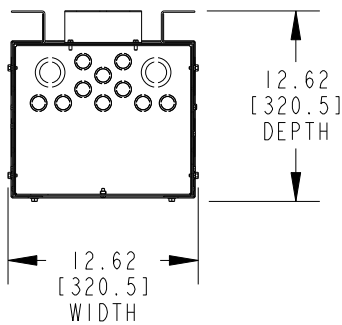
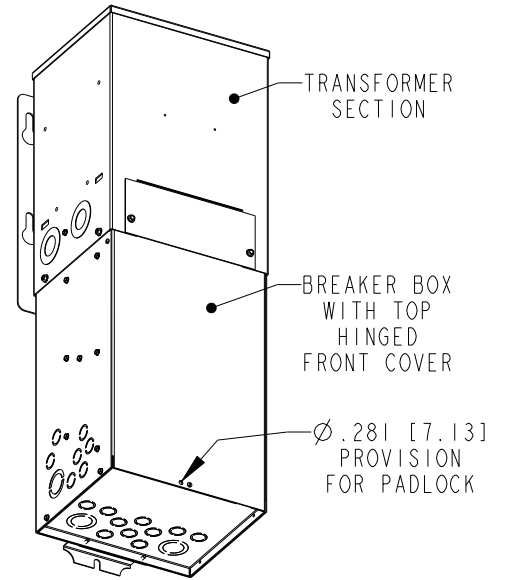
REAR VIEW



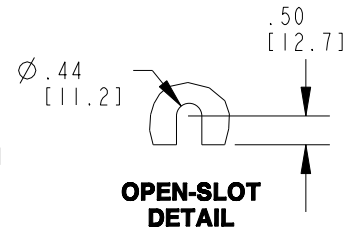
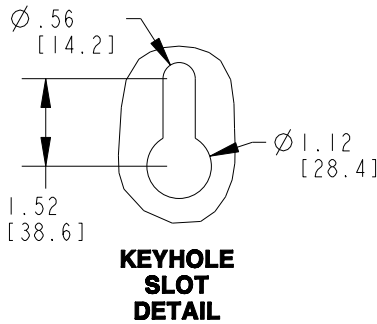
SIDE VIEW



ISOMETRIC VIEW



BOTTOM VIEW



kVA RATING:
K-FACTOR:
PRI VOLTAGE:
SEC VOLTAGE:
FREQ (Hz):
TEMP RISE:
WINDING MATL:
ES SHIELD:
SOUND LVL (dB):

| KNOCKOUTS | CONDUIT SIZE | QUANTITY | |
|-------------|----------------------------|-----------|-------------|
| | | EACH SIDE | REAR/BOTTOM |
| TRANSFORMER | 1" OR 2" [27 OR 53] | 2 | 1 |
| BREAKER BOX | 1/2" OR 3/4" [16 OR 21] | 7 | 10 |
| | 1" OR 1-1/2" [27 OR 41] | 1 | 2 |

APPROX TOTAL WEIGHT
230 LBS [104 KG]

| | | | |
|---|--|------------------|------------------|
| JOB NAME: SPEEDI PROP: | UNLESS OTHERWISE SPECIFIED ALL DIMENSIONS ARE INCH [MM] | | GE Energy |
| | THIRD ANGLE PROJECTION | | |
| CAD DRAWING: 303B915AAP010 | SHEET 1 OF 1 | CATALOG # | REV 5 |