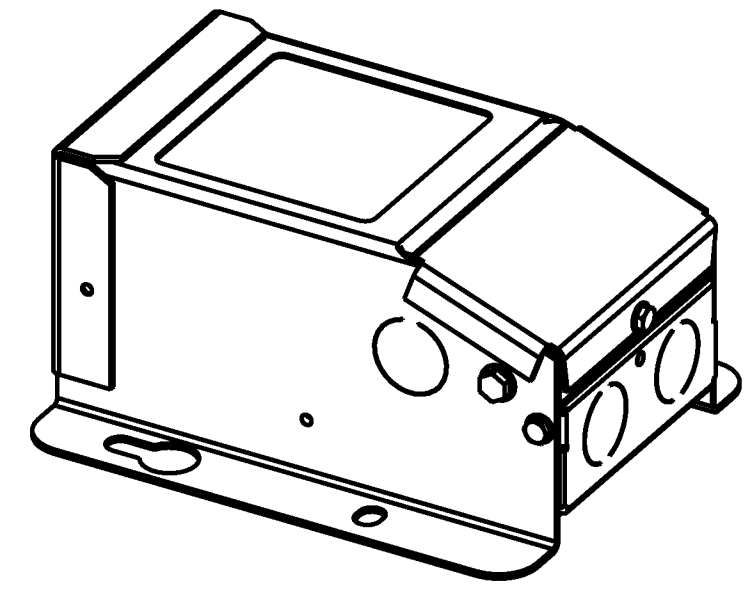
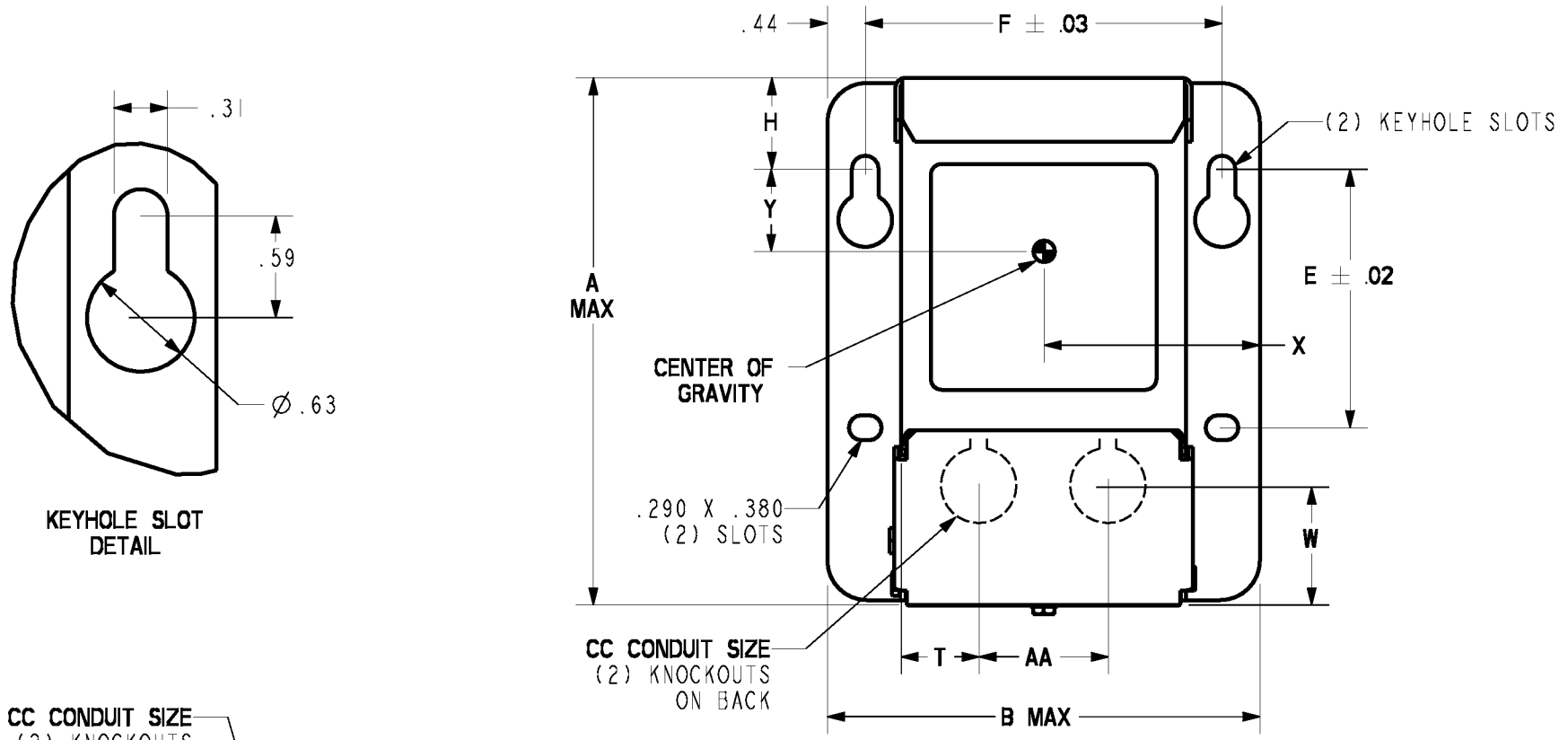
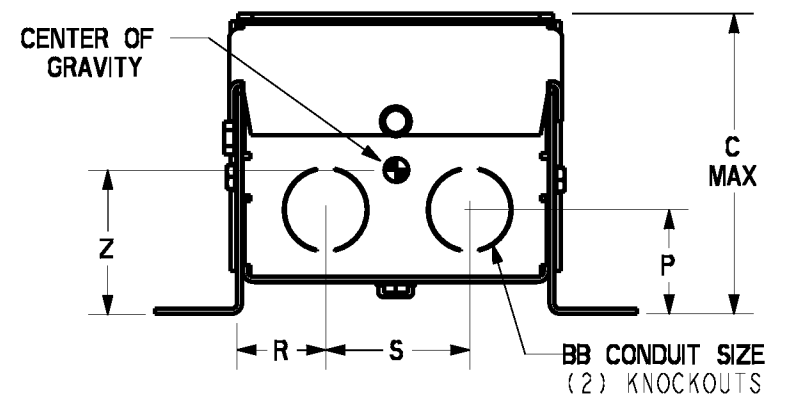
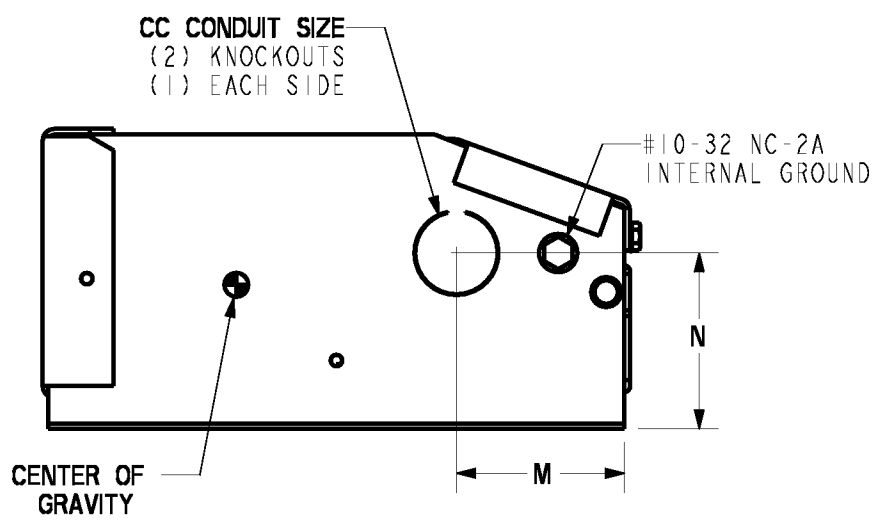


PART NUMBER	REF 60 Hz KVA	MAXIMUM ENVELOPE			MOUNTING			KNOCKOUT REFERENCE									CENTER OF GRAVITY			APPROX WEIGHT (LBS)	
		HEIGHT	WIDTH	DEPTH	HEIGHT	WIDTH	KEYHOLE	M	N	P	R	S	T	W	AA	BB	CC	X	Y		Z
		A	B	C	E	F	H														
P001	.050/.075/.100	6.38	5.12	3.25	3.00	4.14	1.12	1.75	1.84	1.05	.91	1.50	.92	1.25	1.50	.50	.50	2.50	.50	1.25	6
P002	.150/.250	7.38	6.12	4.25	3.00	5.14	1.12	1.25	2.00	.99	.84	2.62	1.16	1.25	2.00	.50	.50	3.00	.64	1.62	10
P003	.500	8.38	6.88	4.88	3.50	5.88	1.12	1.38	2.00	1.11	1.03	3.00	1.54	1.38	2.00	.75	.75	3.38	1.06	1.94	16
P004	.750/1.00	9.62	7.88	5.50	4.00	6.88	2.06	1.62	2.38	1.08	1.03	4.00	1.78	1.62	2.50	.75	1.00	3.88	0.00	2.25	25
P005	1.50/2.00/3.00	11.12	9.38	6.72	6.00	8.38	2.06	1.62	2.38	1.47	1.03	5.50	2.62	1.62	2.50	.75	1.00	4.62	.25	2.88	40-60
P006	3.00 (SPECIALS)	13.12	9.38	6.72	6.00	8.38	2.06	1.62	2.38	1.47	1.03	5.50	2.62	1.62	2.50	.75	1.00	4.62	.25	2.88	40-60



\*\* OUTLINE NUMBERING METHOD \*\*

DRAWING NUMBER **303B920** TYPE QB PART **AA P001**



**GE Industrial Systems**

**GENERAL PURPOSE TYPE-QB TRANSFORMERS**  
 DRY TYPE, SINGLE PHASE, ENCLOSED TRANSFORMERS  
 FOR CONTROL AND POWER APPLICATIONS  
 UL LISTED - CSA CERTIFIED

DATE 10-17-01	REV LEVEL 009	DIST	DRAWING NUMBER <b>303B920</b>	SHEET 1 OF 1
------------------	------------------	------	----------------------------------	-----------------