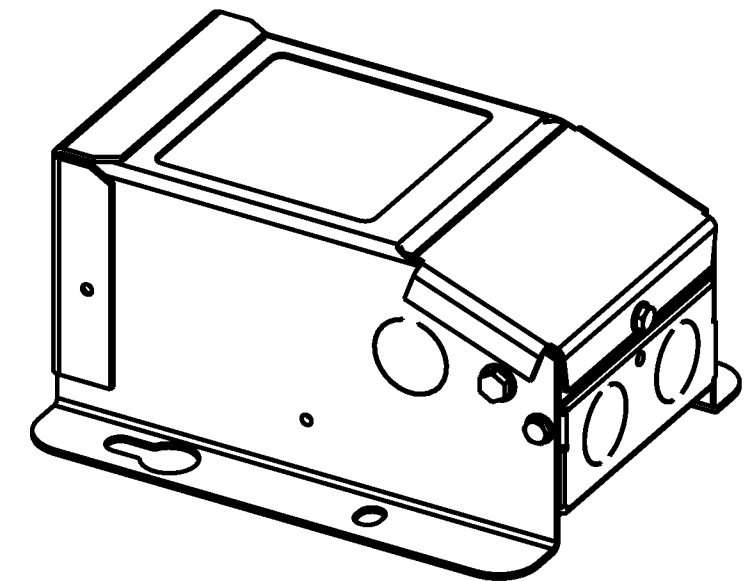
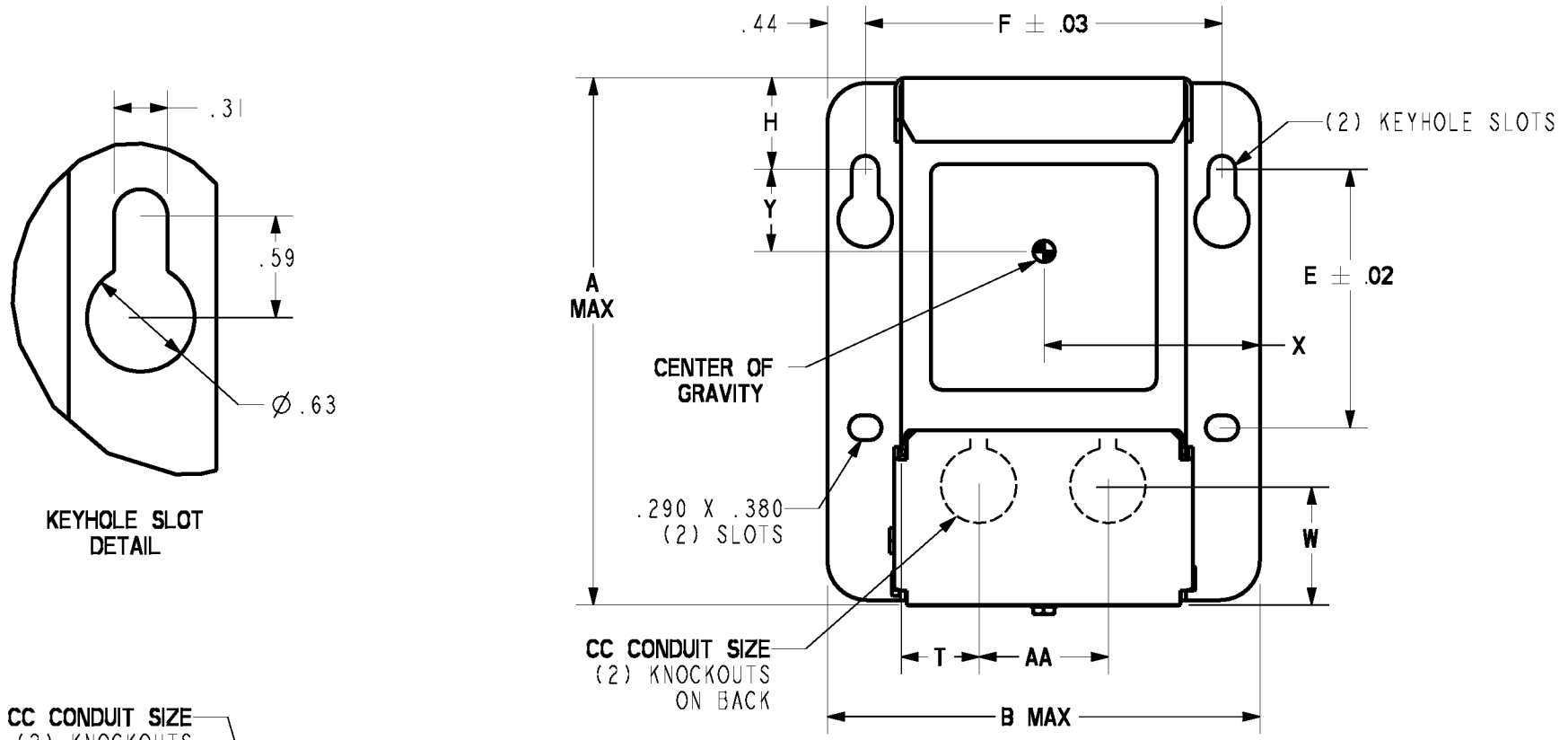
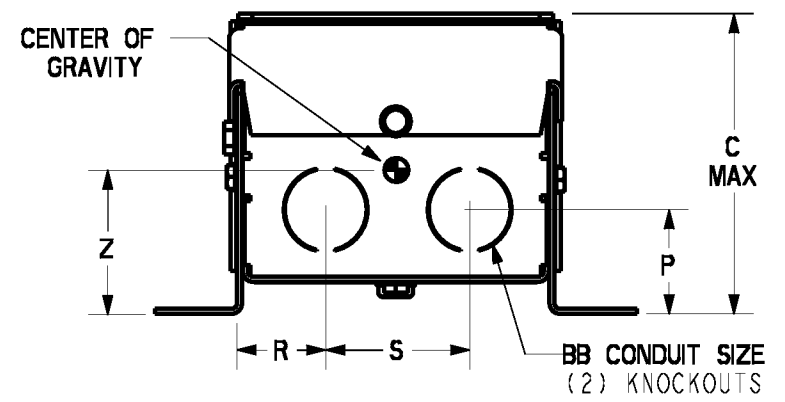
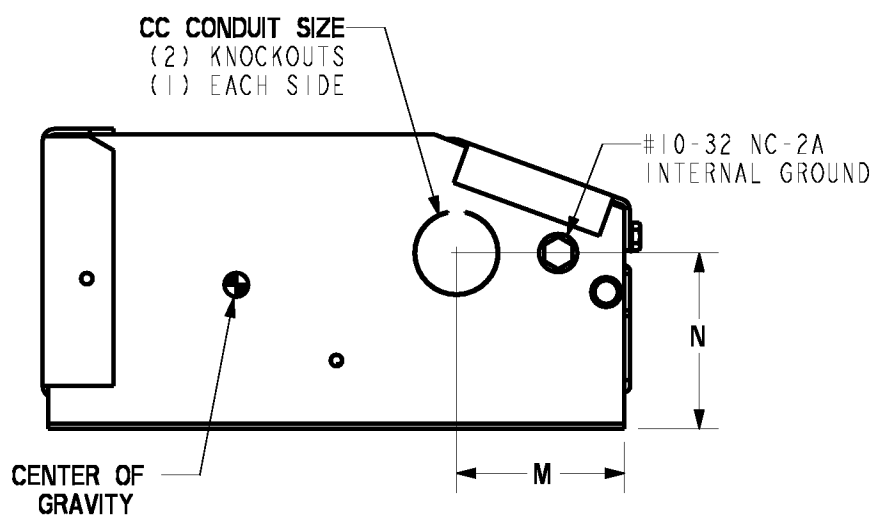
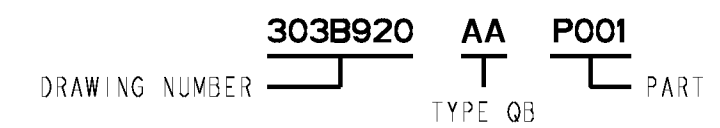


PART NUMBER	REF 60 Hz KVA	MAXIMUM ENVELOPE			MOUNTING			KNOCKOUT REFERENCE									CENTER OF GRAVITY			APPROX WEIGHT (LBS)	
		HEIGHT	WIDTH	DEPTH	HEIGHT	WIDTH	KEYHOLE	M	N	P	R	S	T	W	AA	BB	CC	X	Y		Z
		A	B	C	E	F	H														
P001	.050/.075/.100	6.38	5.12	3.25	3.00	4.14	1.12	1.75	1.84	1.05	.91	1.50	.92	1.25	1.50	.50	.50	2.50	.50	1.25	6
P002	.150/.250	7.38	6.12	4.25	3.00	5.14	1.12	1.25	2.00	.99	.84	2.62	1.16	1.25	2.00	.50	.50	3.00	.64	1.62	10
P003	.500	8.38	6.88	4.88	3.50	5.88	1.12	1.38	2.00	1.11	1.03	3.00	1.54	1.38	2.00	.75	.75	3.38	1.06	1.94	16
P004	.750/1.00	9.62	7.88	5.50	4.00	6.88	2.06	1.62	2.38	1.08	1.03	4.00	1.78	1.62	2.50	.75	1.00	3.88	0.00	2.25	25
P005	1.50/2.00/3.00	11.12	9.38	6.72	6.00	8.38	2.06	1.62	2.38	1.47	1.03	5.50	2.62	1.62	2.50	.75	1.00	4.62	.25	2.88	40-60
P006	3.00 (SPECIALS)	13.12	9.38	6.72	6.00	8.38	2.06	1.62	2.38	1.47	1.03	5.50	2.62	1.62	2.50	.75	1.00	4.62	.25	2.88	40-60



** OUTLINE NUMBERING METHOD **



GE Industrial Systems

GENERAL PURPOSE TYPE-QB TRANSFORMERS
 DRY TYPE, SINGLE PHASE, ENCLOSED TRANSFORMERS
 FOR CONTROL AND POWER APPLICATIONS
 UL LISTED - CSA CERTIFIED

DATE 10-17-01	REV LEVEL 009	DIST	DRAWING NUMBER 303B920	SHEET 1 OF 1
------------------	------------------	------	---------------------------	-----------------