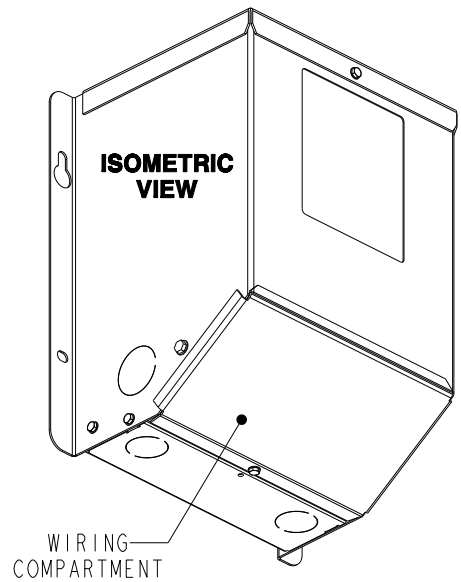


KEYHOLE SLOT DETAIL
SCALE 0.75



kVA RATING:
K-FACTOR:
PRI VOLTAGE:
SEC VOLTAGE:
FREQ (Hz):
TEMP RISE:
WINDING MATL:
ES SHIELD:
SOUND LVL (dB):

APPROX TOTAL WEIGHT LBS [KG]
CU WINDINGS: 50 [22.7]

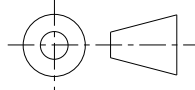
JOB NAME:
SPEEDI PROP:

**UNLESS OTHERWISE SPECIFIED
ALL DIMENSIONS ARE INCH [MM]**



GE Energy

THIRD ANGLE PROJECTION



**DRY TYPE TRANSFORMER OUTLINE DRAWING
TYPE QB, 1-PHASE
(ENCLOSED INDOOR/OUTDOOR UNIT)**

CAD DRAWING: 303B920AAP014

SHEET 1 OF 1

CATALOG #

REV 12