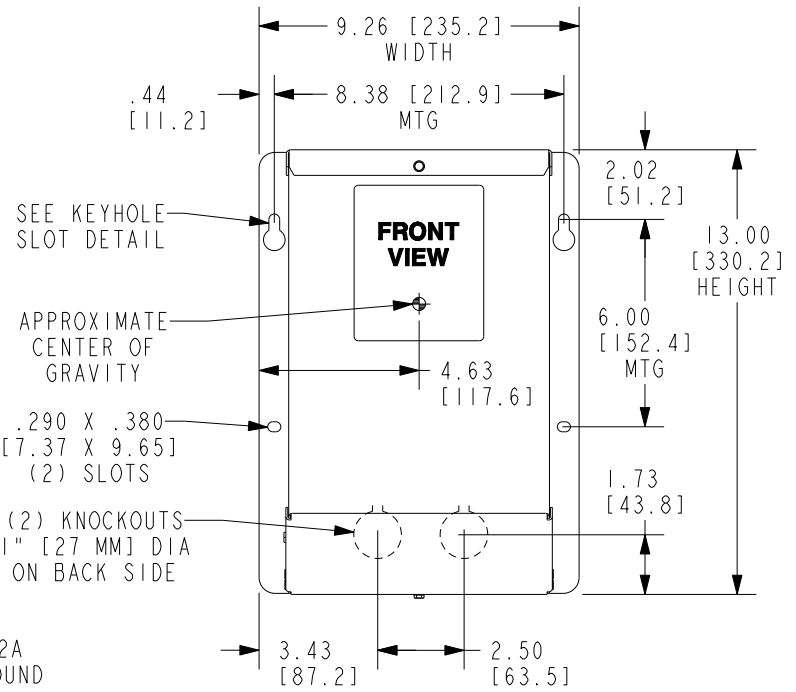


(2) KNOCKOUTS  
1" [27 MM] DIA  
(1) ON EACH SIDE

#10-32 NC-2A  
INTERNAL GROUND

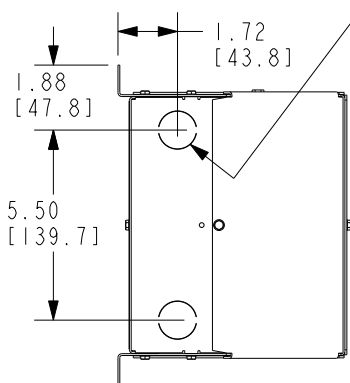


SEE KEYHOLE  
SLOT DETAIL

APPROXIMATE  
CENTER OF  
GRAVITY

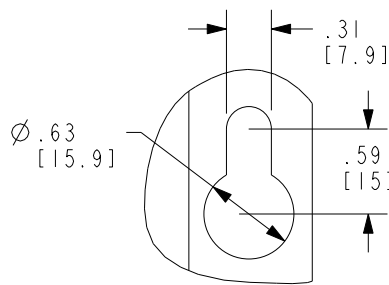
.290 X .380  
[7.37 X 9.65]  
(2) SLOTS

(2) KNOCKOUTS  
1" [27 MM] DIA  
ON BACK SIDE

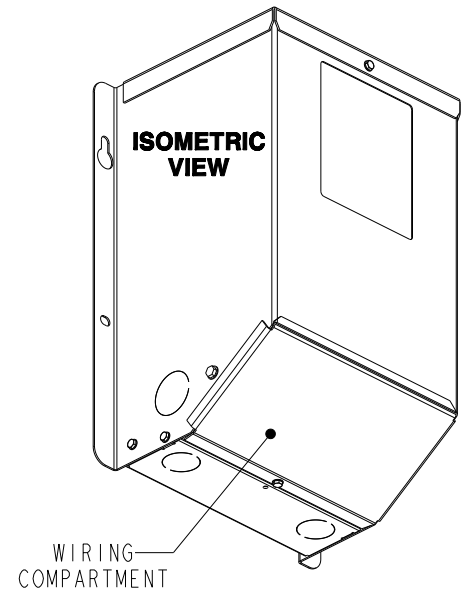


**BOTTOM VIEW**

(2) KNOCKOUTS  
3/4" [21 MM] DIA  
ON BOTTOM SIDE



**KEYHOLE SLOT  
DETAIL**  
SCALE 0.75



WIRING  
COMPARTMENT

**kVA RATING:**  
**K-FACTOR:**  
**PRI VOLTAGE:**  
**SEC VOLTAGE:**  
**FREQ (Hz):**  
**TEMP RISE:**  
**WINDING MATL:**  
**ES SHIELD:**  
**SOUND LVL (dB):**

**APPROX TOTAL WEIGHT LBS [KG]**  
**CU WINDINGS: 60 [27.2]**

<b>JOB NAME:</b> <b>SPEEDI PROP:</b>	<b>UNLESS OTHERWISE SPECIFIED ALL DIMENSIONS ARE INCH [MM]</b>	<b>GE Energy</b>
	<b>THIRD ANGLE PROJECTION</b> 	<b>DRY TYPE TRANSFORMER OUTLINE DRAWING TYPE QB, 1-PHASE (ENCLOSED INDOOR/OUTDOOR UNIT)</b>
<b>CAD DRAWING: 303B920AAP015</b>	<b>SHEET 1 OF 1</b>	<b>CATALOG #</b> <span style="float: right;"><b>REV 12</b></span>