

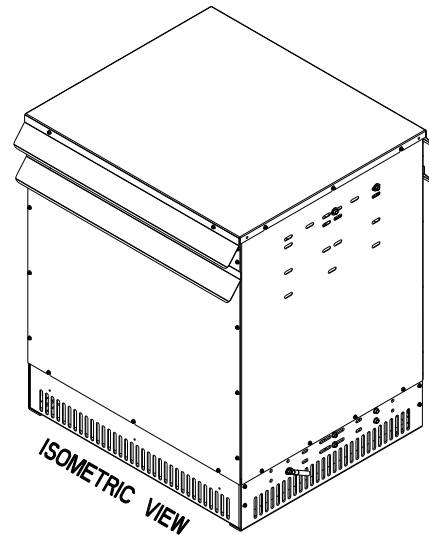
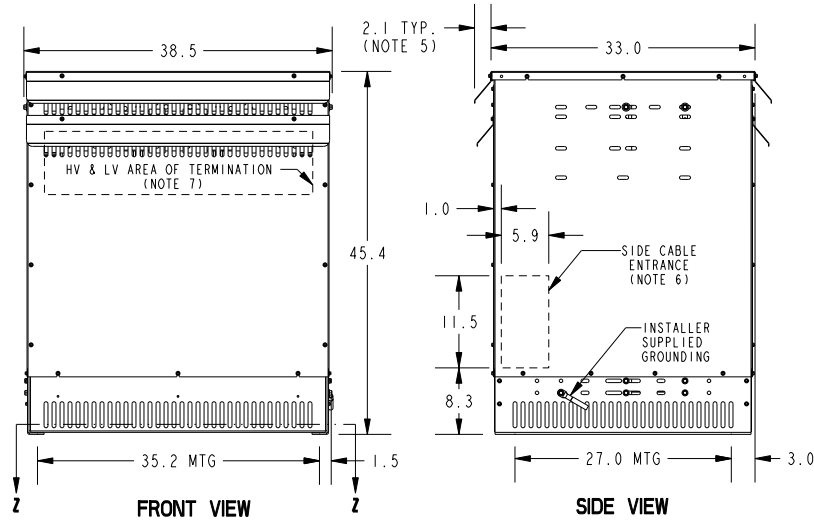
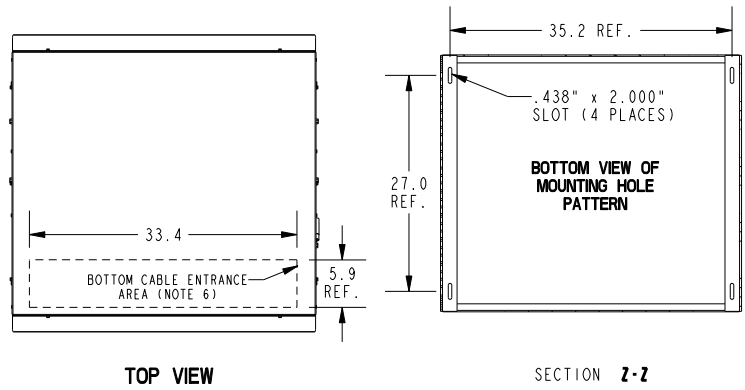


GENERAL ELECTRIC

DRY TYPE TRANSFORMERS

NOTES:

- 1) ALL UNITS ARE UL LISTED AND ARE DESIGNED IN ACCORDANCE WITH ANSI C89.2 AND NEMA ST-20 STANDARDS.
- 2) TRANSFORMERS UTILIZE A UL RECOGNIZED 220°C INSULATION SYSTEM. THE TEMPERATURE RISE(S) FOR THE SPECIFIC kVA RATINGS REFERENCED IN THE TABLE BELOW ARE DETERMINED WHEN THE TRANSFORMER IS MOUNTED IN A STANDARD ENCLOSURE.
- 3) TRANSFORMERS ARE DESIGNED FOR FLOOR MOUNTING.
- 4) TRANSFORMERS ARE DRY TYPE, CLASS AA, WITH VENTILATED ENCLOSURES FOR INDOOR USE. OPTIONAL RAINSHIELD KITS ARE AVAILABLE TO ADAPT ALL SIZES FOR TYPE 3R OUTDOOR USE WITHOUT VOIDING THE WARRANTY.
- 5) APPLICABLE WHEN OPTIONAL RAINSHIELDS ARE INSTALLED. RAINSHIELDS ARE SHIPPED IN KITS FOR FIELD INSTALLATION.
- 6) CABLE ENTRANCE IS PERMITTED THROUGH THE LEFT SIDE, RIGHT SIDE AND/OR BOTTOM ENCLOSURE PANELS ONLY. CABLE ENTRANCE IS NOT PERMITTED THROUGH THE FRONT, REAR OR TOP PANELS.
- 7) 0.563" DIA HOLES ARE PROVIDED FOR CUSTOMER TERMINATION.
- 8) FOR LIFTING, OTHER THAN WITH A FORK TRUCK, REMOVE TOP COVER AND USE 1" DIAMETER HOLES IN THE TOP CORE CLAMPS.
- 9) PAINT COLOR IS ANSI #61 GRAY.
- 10) 6" MINIMUM CLEARANCE IS REQUIRED FROM ALL WALLS.



TYPICAL kVA RATINGS AND TEMPERATURE RISES					
COIL	REF. kVA AT			WEIGHT LBS. (APPROX.)	dB LEVEL
	150°C RISE	115°C RISE	80°C RISE		
COPPER	150	150	N/A	2000	50

QTY.	COIL CONDUCTOR	kVA	TEMP RISE	VOLTAGE		TAPS
				PRIMARY	SECONDARY	

CUSTOMER	UNLESS OTHERWISE SPECIFIED ALL DIMENSIONS ARE IN INCHES THIRD ANGLE PROJECTION 	GENERAL ELECTRIC COMPANY GE Energy OUTLINE DRAWING HARMONIC MITIGATING VENTED UNIT TP1, 3 PHASE	CATALOG NO.	REV.
JOB NAME				0
LINE #			SHEET 1 OF 1	
DESIGNATION				
DRW NO. 303B931AAP076				