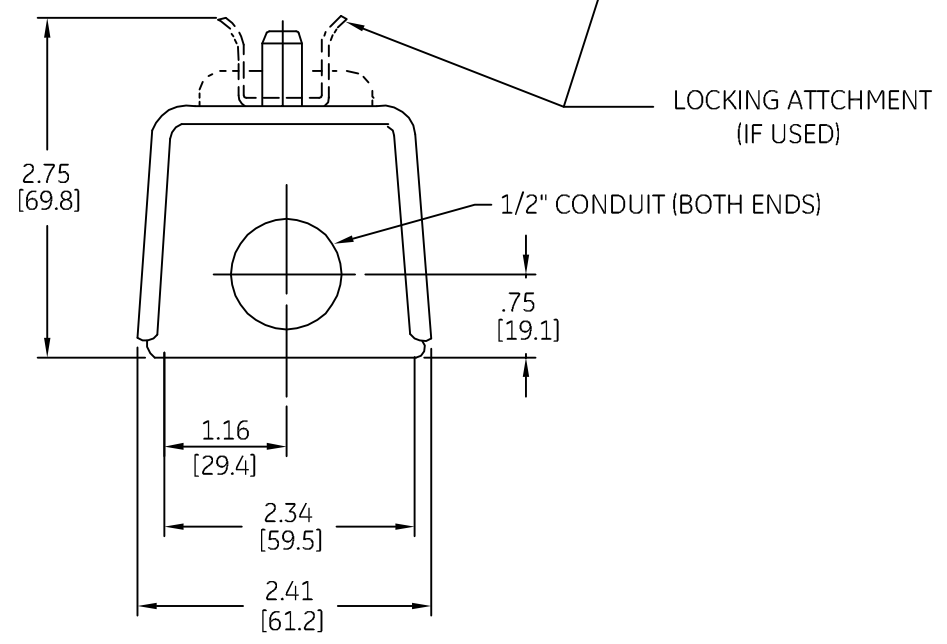
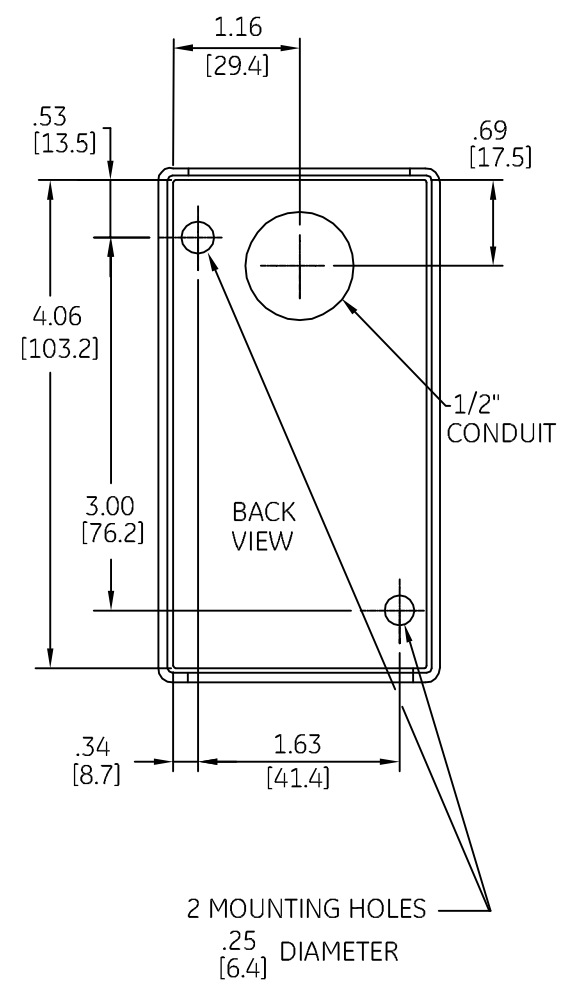
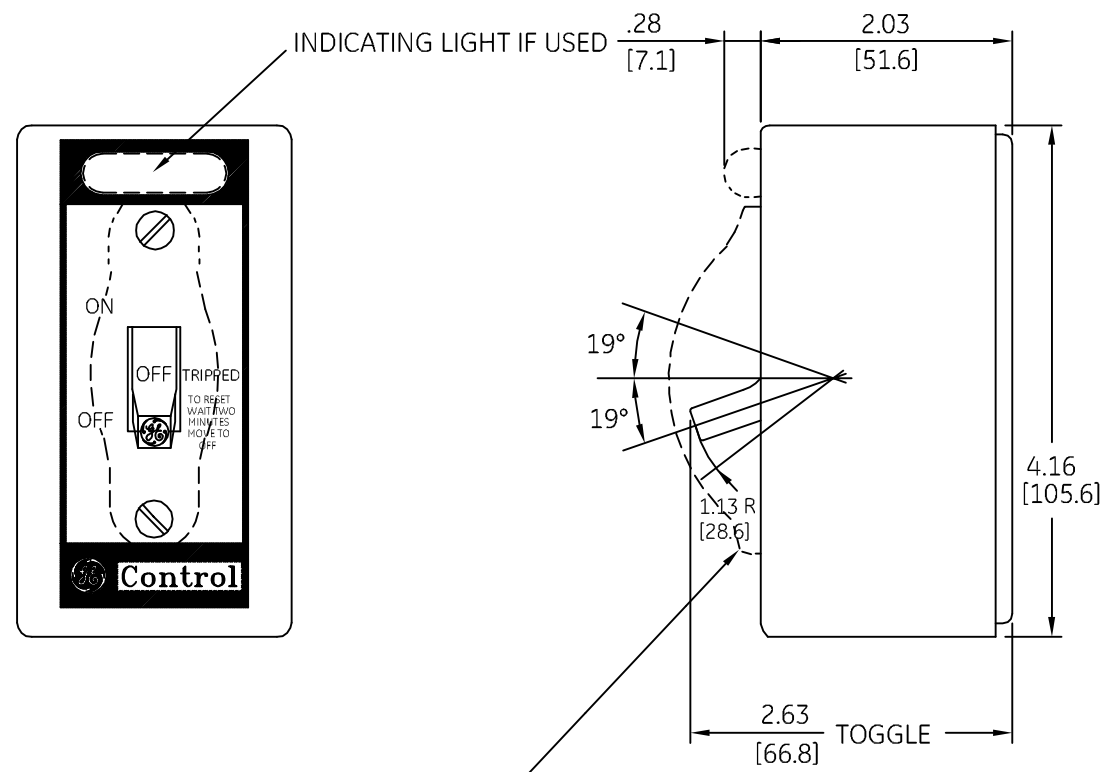



DUAL DIMENSIONS INCHES [MILLIMETERS] (ESTIMATING ONLY)



 imagination at work

OUTLINE
CR101 TYPE 1

AN #	THIRD ANGLE PROJECTION	SHEET #
09-9107		1 OF 1

DWG NO.	DATE	REV
366B601	08/10/2009	5