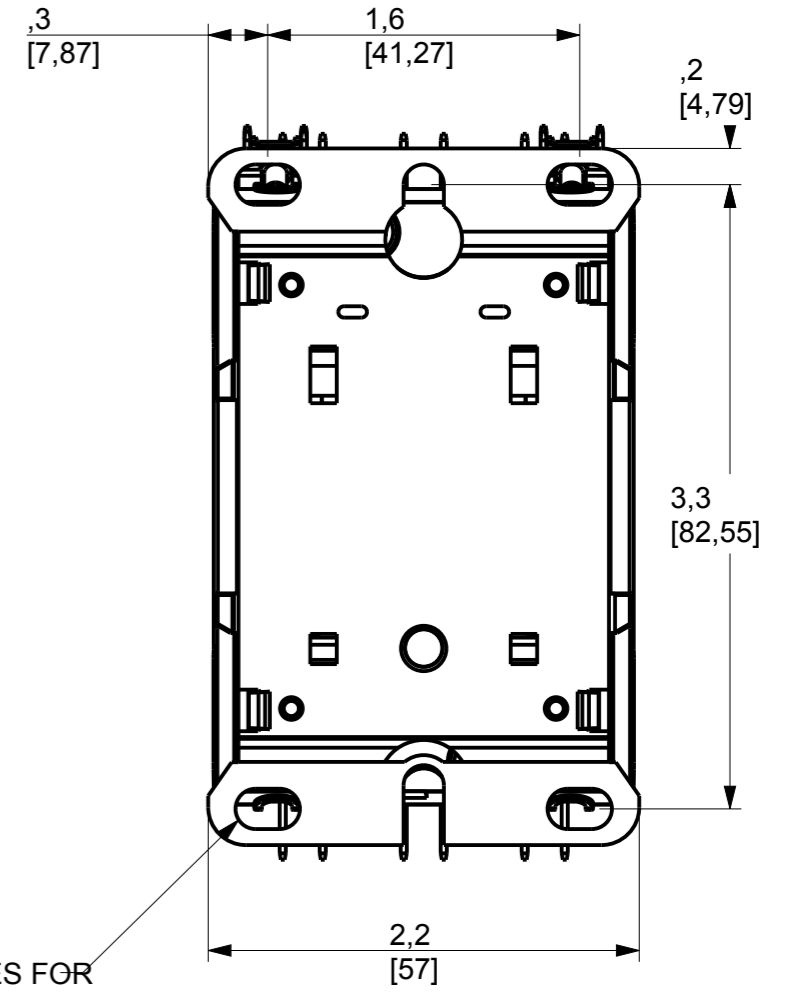
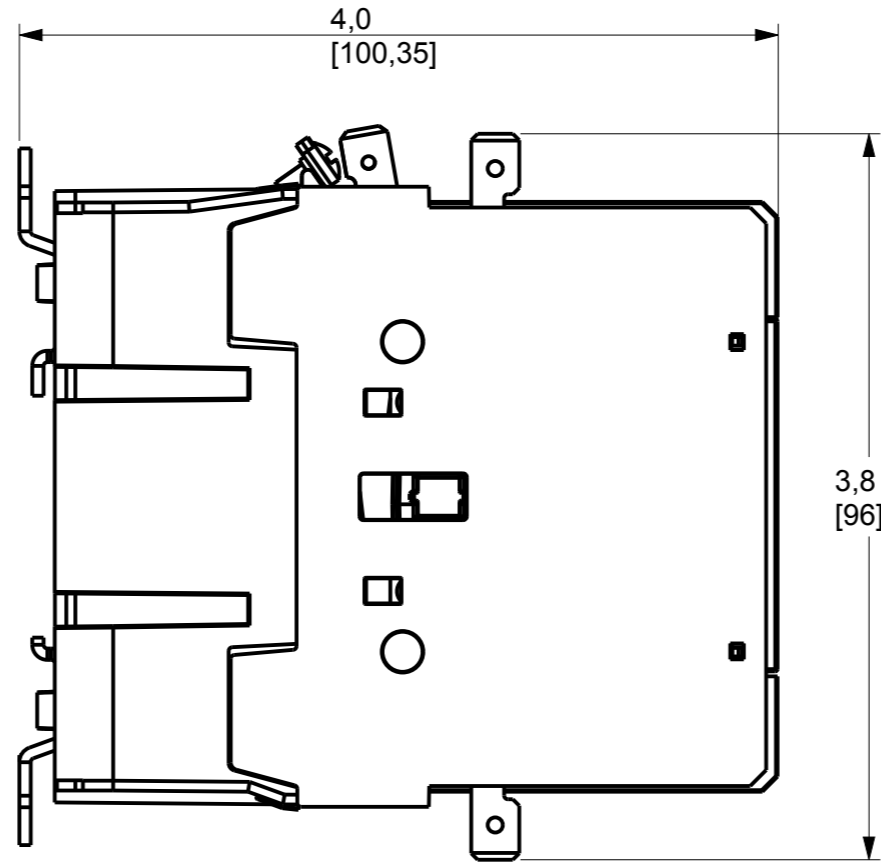
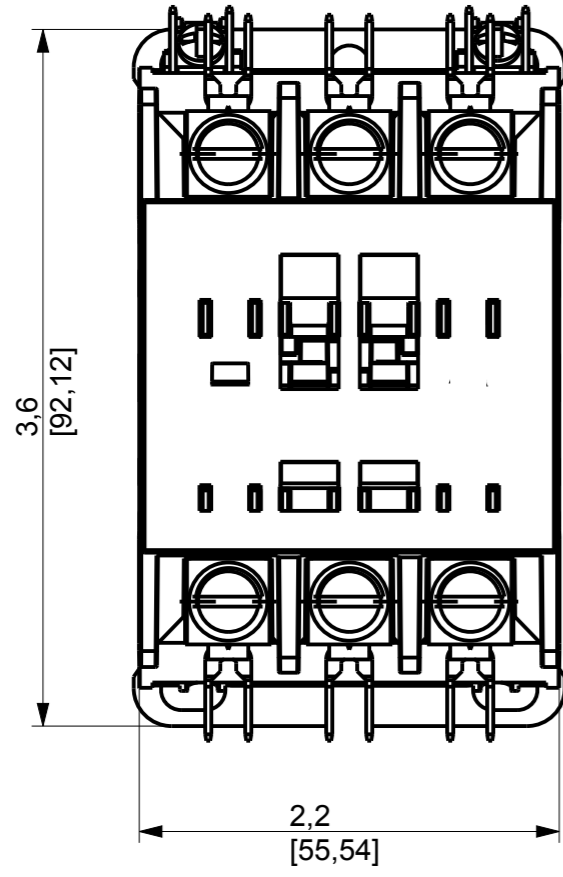


GEPC INTRALINK DATABASE INFO - FOR INTERNAL USE ONLY	
DRAWING FILE NAME:	OBJECT RELATED INFORMATION
TERES_45010101GXX_00_00	STATUS:
TERES_45010101GXX_00_00	REVISION
TERES_45010101GXX_00_00	VERSION
TERES_45010101GXX_00_00	COM:
TERES_45010101GXX_00_00	7
TERES_45010101GXX_00_00	Design



MOUNTING HOLES FOR #10 SCREWS (6 PLACES)

GE PROPRIETARY AND CONFIDENTIAL INFORMATION: This document is the property of General Electric Company and is not to be distributed, copied, or used in any way without the express written consent of GE Energy. This document shall be returned to GE upon its request. This document may be subject to certain restrictions under U.S. export control laws and regulations.

REVISION	DESCRIPTION	DATE	NAME	CHECKED	APPROVED	ECN NO
01	First Issue		S.Rivadeneira			-

REMARK		DESCRIPTION				
PRODUCT				MATERIAL		POST TREATMENT
ID	ID 6/8 DIG	DESCRIPTION	REM ID	DESCRIPTION	REM	DESCRIPTION
-	-					

UNLESS OTHERWISE SPECIFIED				CTQ	PROJECTION ASSEMBLY: SUPERSEDES: SUPERSEDED BY:
TOL DIMENSIONS	TOL ANGLE	FILLET & TOL	DRAFT ANGLE	OTHERS	

Scale: 1:1
UNIT: in

teres_45010030xx_00_00

CAD FILE	SIZE	PAGE	OF
450B10101GXX	A3	1	1

DUAL DIMENSIONS INCHES/MILLIMETERS

Article or Material Must Conform to REACH Procedure SI900000 Sec.14
Article or Material Must Conform to ROHS Procedure SI900000 Sec.13
Part Must Conform to SI900000 Sec.4 Toxicity Procedure

LOCAL FAM TITLE
DP40 3Poles Outline drw.
CR-553A
DP40 3Poles Outline drw.