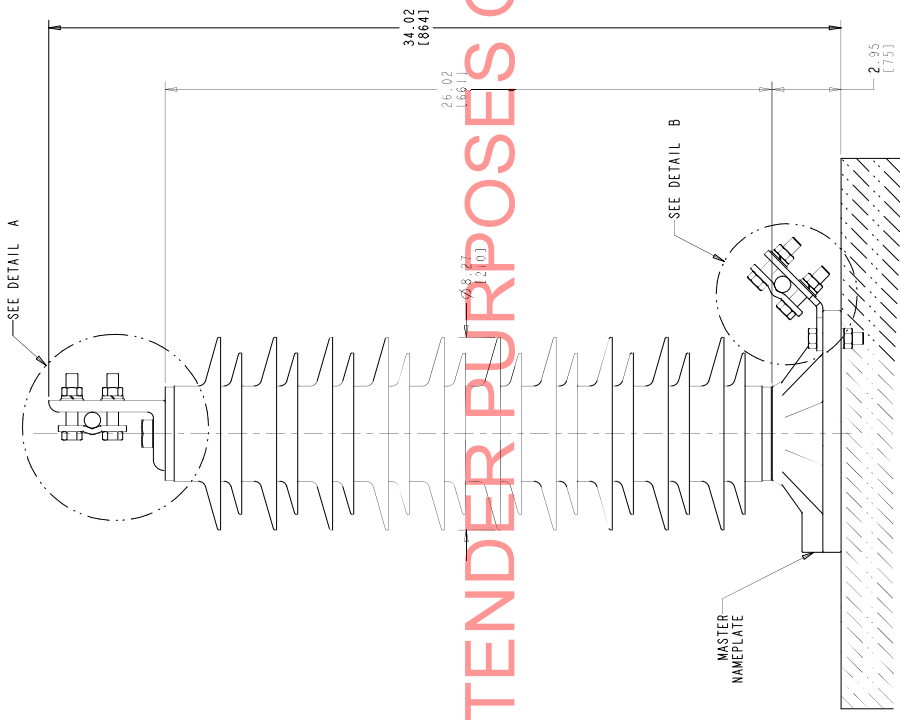
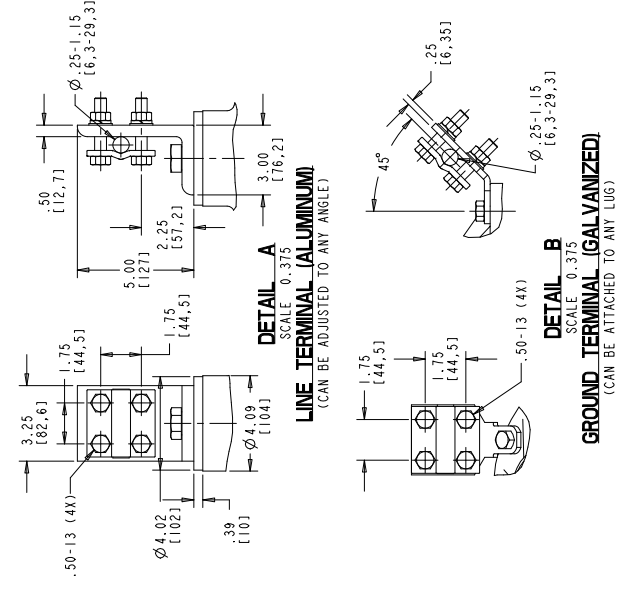


STYLE NO.	RATINGS		TOV (kV rms)	MAXIMUM RESIDUAL VOLTAGE WITH CURRENT WAVE (KV PEAK)	
	VOLTAGE Vr	MCOV Vmcov		WITH PRIOR ENERGY SPL (S1PL)	LPL (L1PL) 8/20 μS
P060XV072A	60	48.0	Ø10 sec = 66.0 Ø10 sec = 72.6	2 kA 5 kA 10 kA 20 kA	122 130 137 150
P066XV072A	66	53.0	Ø10 sec = 72.6	134 143 151 165	

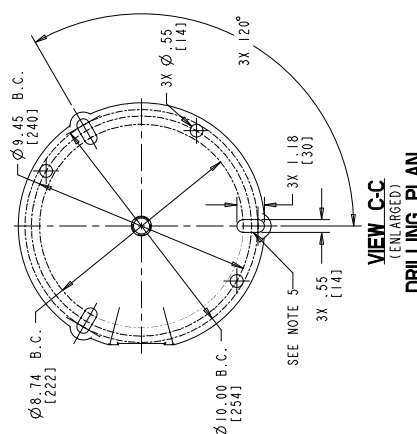


<b>ABB</b> PEXLIM SURGE ARRESTER		MADE IN USA
STYLE NO.	RATING	kV
SERIAL NO.	MOV	kV
ENVIRONMENTAL CLASS	STATION / 4	CLASS 65
LINE	Ø 64 lbs. (29 kg)	NONE
UNIT STACKING ORDER		
TOP	SERIAL NO.	kV
BOT		kV

**MASTER NAMEPLATE (ISSTLI)**  
 \* ASSIGNED AT THE TIME OF PRODUCTION AND RECORDED IN THE PROPER LOCATIONS

- NOTES:
- FOR MINIMUM PHASE-TO-GROUND AND PHASE-TO-PHASE CLEARANCES WITH TYPE PEXLIM SURGE ARRESTERS, REFER TO THE PEXLIM PRODUCT BULLETIN. OTHER APPARATUS STANDARDS, OTHER SPECIFICATIONS OR LOCAL CODES MAY SUPERCEDE DISTANCES SPECIFIED.
  - ARRESTER ASSEMBLY CONSISTS OF ARRESTER UNIT, LINE & GROUND TERMINALS WITH GALVANIZED CLAMPS, AND .50 INCH HARDWARE.
  - LINE & GROUND TERMINALS CAN ACCOMMODATE CU OR AL CABLE. SIZE NO. 2 TO 1000 MCM (.25 (6.4) TO 1.15 (29.2)) DIA.
  - LINE & GROUND TERMINAL CLAMP CAN BE MOUNTED AS SHOWN OR ROTATED FOR 600 INCH HARDWARE.
  - THICKNESS OF LUG = .79 (20)
  - DESIGNED FOR VERTICAL MOUNT.
  - MAX CANTILEVER LOAD 35,402 in.-lbs (4000 Nm).
  - PRESSURE RELIEF CLASS IS 65 kA RMS SYMMETRICAL.
  - NOMINAL CREEPAGE DISTANCE 89.4 (2270).
  - MAXIMUM ARRESTER WEIGHT 64 lbs (29 kg).

FOR TENDER PURPOSES ONLY



**VIEW C-C**  
(ENLARGED)  
**DRILLING PLAN**

ALL DIMENSIONS IN INCHES (MM) UNLESS NOTED

THIS DRAWING IS UNCONTROLLED. THE USER SHALL BE RESPONSIBLE FOR VERIFYING THE DIMENSIONS OF THE PARTS AND MATERIALS USED IN THE ASSEMBLY. THE USER SHALL BE RESPONSIBLE FOR VERIFYING THE DIMENSIONS OF THE PARTS AND MATERIALS USED IN THE ASSEMBLY.

ABB INC.	ABB INC.
200 Distribution Circle, Ft. Peck, PA 15066	ABB Product Division
SCALE: AS SHOWN	REV: 1
DATE: 06/15/2015	4F2105
3	

03 SEPTEMBER 16, 2016	02 AUGUST 3, 2015
DRN	DRN
STYLE P066XV072A	STYLE P060XV072A
DRN	DRN