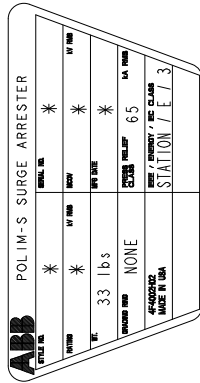
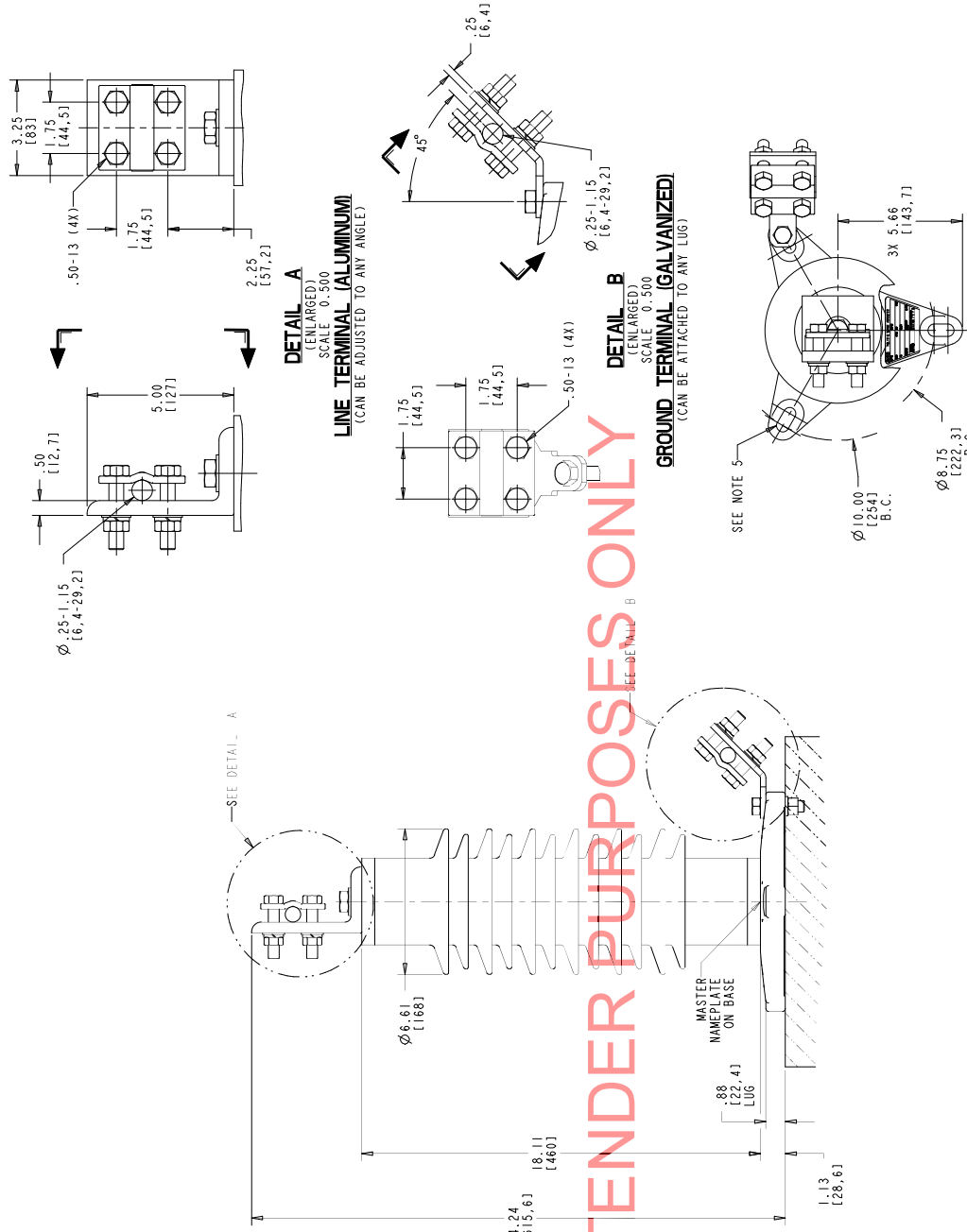


STYLE NO.	RATINGS		TOV (kV rms)	MAXIMUM RESIDUAL VOLTAGE WITH CURRENT WAVE (kV PEAK)			
	VOLTAGE V <sub>r</sub>	MCOV V <sub>mco</sub>		WITH PRIOR ENERGY SPL (SIPL) 8/20 μS	SPL (LIPL) 0.5 μS		
			500 A	3 kA	10 kA	20 kA	10 kA
			STANDARD CREEP				
00245A019A	24	19.5	Ø10 sec ± 26.3	47.7	53.5	57.6	63.9
00275A022A	27	22.0	Ø10 sec ± 29.6	53.6	60.1	64.8	70.8
00305A024A	30	24.4	Ø10 sec ± 32.9	59.5	66.7	72.0	78.6
00335A027A	33	27.0	Ø10 sec ± 36.1	65.4	73.4	79.2	86.4
00365A029A	36	29.0	Ø10 sec ± 39.4	71.3	80.0	86.4	94.2
00395A031B	39	31.5	Ø10 sec ± 42.7	77.3	86.6	93.6	102
00425A034B	42	34.0	Ø10 sec ± 46.0	83.3	93.4	101	112
			EXTRA CREEP				
00035C002A	3	2.55	Ø10 sec ± 4.93	9.77	10.9	11.3	12.9
00045C003A	4	3.40	Ø10 sec ± 6.57	13.2	14.7	15.6	18.1
00055C004A	5	4.25	Ø10 sec ± 8.21	16.7	18.7	19.9	23.1
00065C005A	6	5.10	Ø10 sec ± 9.86	20.2	22.8	24.3	28.6
00075C006A	7	5.95	Ø10 sec ± 11.50	23.7	26.9	28.7	34.7
00085C007A	8	6.80	Ø10 sec ± 13.14	27.2	30.8	33.4	41.2
00095C008B	9	7.65	Ø10 sec ± 14.78	30.7	34.9	37.9	48.8
00105C009B	10	8.40	Ø10 sec ± 16.42	34.2	39.4	42.6	57.4
00125B010A	12	10.2	Ø10 sec ± 19.6	41.8	47.9	51.9	69.9
00155B012A	15	12.7	Ø10 sec ± 24.2	51.4	59.1	64.4	86.4
00185B015A	18	15.3	Ø10 sec ± 29.1	62.1	71.4	77.9	104.4
00215B017B	21	17.0	Ø10 sec ± 33.0	71.8	82.4	89.9	122.4



**MASTER NAMEPLATE**  
 \* ASSIGNED AT THE TIME OF PRODUCTION AND  
 RECORDED IN THE PROPER LOCATIONS

- NOTES:**
- REFER TO IEEE C62.11 AND C62.22, OTHER APPARATUS STANDARDS, SPECIFICATIONS OR LOCAL CODES MAY SUPERCEDE DISTANCES SPECIFIED.
  - ARRESTER ASSEMBLY CONSISTS OF ARRESTER UNIT, LINE & GROUND TERMINALS WITH CLAMPS, AND .50 INCH HARDWARE.
  - LINE & GROUND TERMINALS CAN ACCOMMODATE CU OR AL CABLE SIZE NO. 2 TO 1000 MCM (.25 (6.4) TO 1.15 (29.2) DIA.
  - LINE & GROUND TERMINAL CLAMP CAN BE MOUNTED AS SHOWN WITH CLIPS FOR AS REQUIRED.
  - SPACED THICKNESS OF LUG = .88 (22.4)
  - DESIGNED FOR VERTICAL OR HORIZONTAL MOUNT
  - MAX CANTILVER LOAD 20,000 in-lbs (2260 Nm).
  - PRESSURE RELIEF CLASS IS 65 KA RMS SYMMETRICAL.
  - NOMINAL CREEPAGE DISTANCE 42.2 (1073).
  - MAXIMUM ARRESTER WEIGHT 33.0 lbs (15.0 kg).



FOR TENDER PURPOSES ONLY

**ALL DIMENSIONS IN INCHES (MM) UNLESS NOTED**

ABB INC.  
Power Products Division  
100 Distribution Circle, Mt Pleasant, PA 15666

POLIM-S / IEEE STATION E / IEC CLASS 3  
POLYMER ARRESTER  
12 SHED HOUSING OUTLINE

ABB INC.  
Power Products Division  
100 Distribution Circle, Mt Pleasant, PA 15666

SCALE: 0.500

DATE: 04/14/2018

4F 4003

6

REV. DESCRIPTION & DATE

01 FEBRUARY 9, 2010

02 JULY 26, 2011

03 AUGUST 1, 2011

04 OCTOBER 11, 2011

05 OCTOBER 22, 2013

06 MAY 14, 2018