

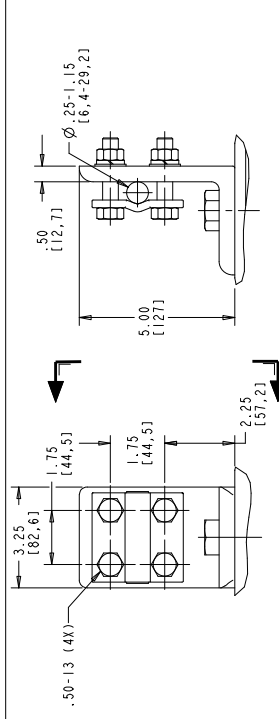
STYLE NO.	RATINGS		TOV (kV rms)	MAXIMUM RESIDUAL VOLTAGE WITH CURRENT WAVE (kV PEAK)	
	VOLTAGE Vr	MCOV Vmcov		WITH PRIOR ENERGY SPL (SIPL) 30/60 μS	LPL (LIPL) 8/20 μS
				STANDARD CREEP	
				500 A	3 kA 10 kA 20 kA 10 kA
0003MA002A	3	2.55	Ø10 sec = 4.93	9.77	10.9 11.3 12.9 12.8
0004MA003A	4	3.40	Ø10 sec = 4.93	10.0	11.2 11.6 13.3 13.1
0005MA004A	5	4.25	Ø10 sec = 6.57	12.3	13.7 14.4 16.3 16.1
0006MA005A	6	5.10	Ø10 sec = 6.57	12.8	14.3 15.0 17.0 16.8
0007MA006A	7	5.95	Ø10 sec = 9.86	17.7	19.8 21.0 23.6 23.3
0008MA007A	8	6.80	Ø10 sec = 9.86	18.5	20.7 22.0 24.7 24.4
0009MA008A	9	7.65	Ø10 sec = 11.0	21.0	23.5 25.0 28.0 27.6
0010MA009A	10	8.40	Ø10 sec = 13.1	25.1	28.1 30.0 33.5 33.1
0012MA010A	12	10.2	Ø10 sec = 16.4	31.3	35.0 37.5 41.8 41.2
0015MA012A	15	12.7	Ø10 sec = 19.7	37.4	41.9 45.0 50.0 49.3
0018MA015A	18	15.3	Ø10 sec = 23.0	41.8	46.9 50.4 55.9 55.2
0021MA017A	21	17.0	Ø10 sec = 26.3	47.7	53.5 57.6 63.9 63.0
0024MA019A	24	19.5	Ø10 sec = 29.6	53.6	60.1 64.8 71.8 70.8
0027MA022A	27	22.0	Ø10 sec = 32.9	59.5	66.7 72.0 79.7 78.6
0030MA024A	30	24.4	Ø10 sec = 32.9	59.5	66.7 72.0 79.7 78.6

<b>ABB</b> EXLIM SURGE ARRESTER		MADE IN USA	
STYLE NO.	*	RITING	* IV
SERIAL NO.	*	MCOV	* IV
IEEE/JEIC CLASS	STATION / 3 PRESS BELLEVUE CLASS 65 KA		
DATE	* #71 lbs #1000		

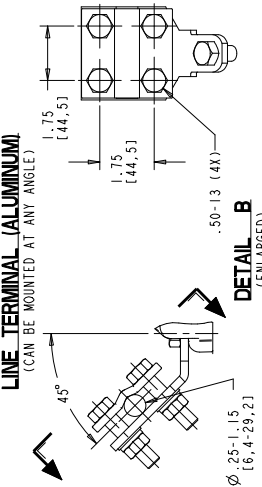
**MASTER NAMEPLATE (SSTL)**  
 \* ASSIGNED AT THE TIME OF PRODUCTION AND RECORDED IN THE PROPER LOCATIONS

- NOTES:
- FOR MINIMUM PHASE-TO-GROUND AND PHASE-TO-PHASE CLEARANCES WITH TYPE EXLIM SURGE ARRESTERS, REFER TO THE EXLIM PRODUCT BULLETIN (26NM10005). OTHER APPARATUS STANDARDS, OTHER SPECIFICATIONS OR LOCAL CODES MAY SUPERCEDE DISTANCES SPECIFIED.
  - ARRESTER ASSEMBLY CONSISTS OF ARRESTER UNIT, LINE & GROUND TERMINALS WITH GALVANIZED CLAMPS AND .50 INCH HARDWARE.
  - TYPE & GROUND TERMINALS CAN ACCOMMODATE CU OR AL CABLE WITH A MAXIMUM CABLE CLAMP DIAMETER OF 1.25 INCH DIA.
  - LINE & GROUND TERMINAL CLAMP CAN BE MOUNTED AS SHOWN, OR ROTATED 90° AS REQUIRED.
  - MTG HOLES AND SLOTS FOR .500 INCH HARDWARE.
  - THICKNESS OF LUG = .79 (20.11)
  - DESIGNED FOR VERTICAL MOUNT.
  - MAX CANTILEVER LOAD 66,380 in-lbs (7500 Nm).
  - PRESSURE RELIEF CLASS IS 65 KA RMS SYMMETRICAL.
  - NOMINAL CREEPAGE DISTANCE 33.0 (8391).
  - MAXIMUM ARRESTER WEIGHT 77 lbs (35 kg).

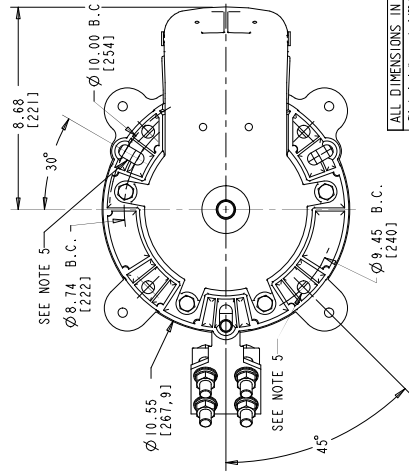
FOR TENDER PURPOSES ONLY



**DETAIL A**  
(ENLARGED)  
SCALE 0.500  
**LINE TERMINAL (ALUMINUM)**  
(CAN BE MOUNTED AT ANY ANGLE)



**DETAIL B**  
(ENLARGED)  
SCALE 0.500  
**GROUND TERMINAL (GALVANIZED)**  
(CAN BE ATTACHED TO ANY LUG)



**DRILLING PLAN**

ALL DIMENSIONS IN INCHES (MM) UNLESS NOTED  
 THE DRAWING IS THE PROPERTY OF ABB INC. AND IS NOT TO BE REPRODUCED OR TRANSMITTED IN ANY FORM OR BY ANY MEANS, ELECTRONIC OR MECHANICAL, INCLUDING PHOTOCOPYING, RECORDING, OR BY ANY INFORMATION STORAGE AND RETRIEVAL SYSTEM, WITHOUT THE WRITTEN PERMISSION OF ABB INC.

EXLIM-Q IEEE STATION / IEC CLASS 3  
 GROUND TERMINAL  
 6 SHED HOUSING OUTLINE

<b>ABB</b>		<b>ABB INC.</b>	
ABB Power Products Division		ABB Inc.	
3500 Market Street, Philadelphia, PA 19104		3500 Market Street, Philadelphia, PA 19104	
SCALE: AS SHOWN	DATE: 01/14/12	PROJECT: EXLIM-Q	SHEET 1 OF 1
DWG NO: 47F300	REV: 3	DATE: 01/14/12	BY: [Signature]

03	FEBRUARY 1, 2012	GROUND TERMINAL VIEW
02	JANUARY 14, 2012	GROUND TERMINAL VIEW
01	AUGUST 31, 2011	STYLE CHART: SPL, LPL, DSK

REV. DESCRIPTION & DATE