

18

17

16

15

14

13

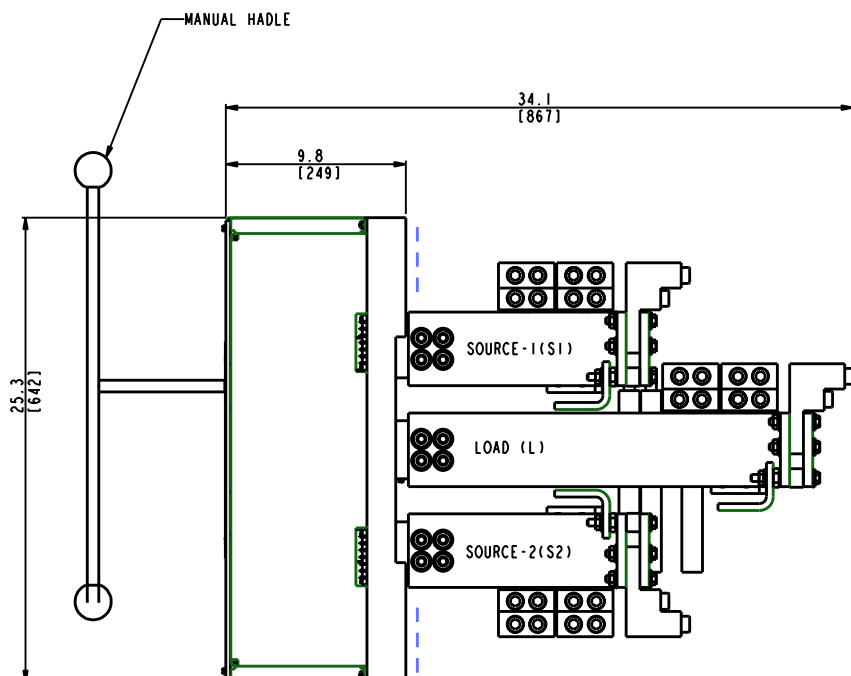
SIZE DRAWING NO. 50C-1050 1

REV SHEET 1

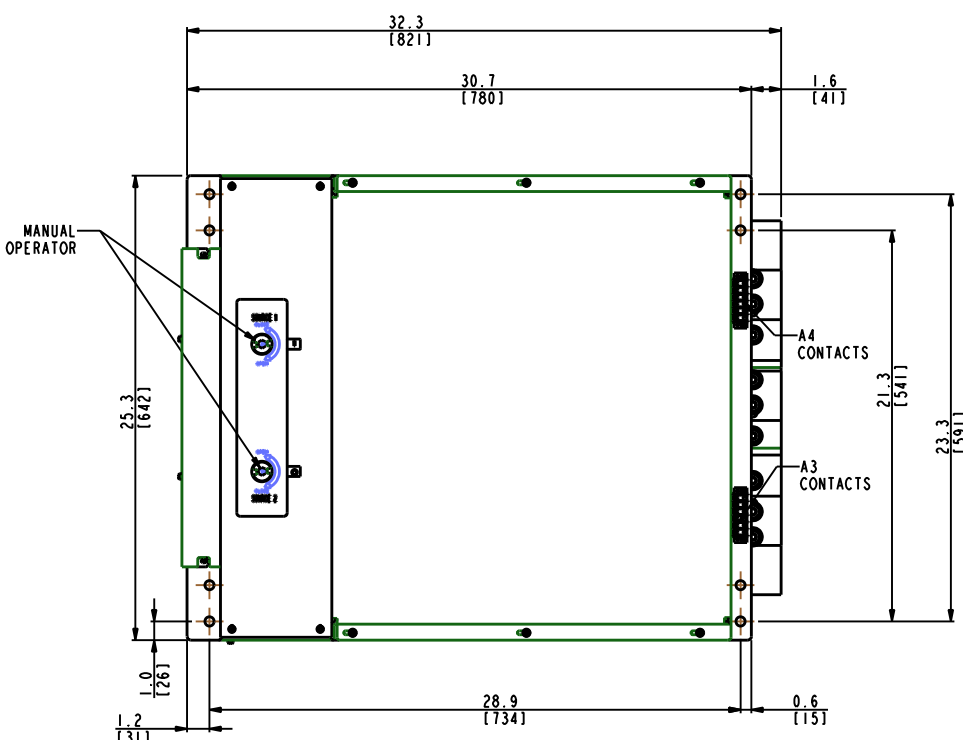
11

GE PROPRIETARY AND CONFIDENTIAL INFORMATION  
 This document is the property of General Electric Company ("GE") and contains proprietary information of GE. This document is loaned on the express condition that neither it nor the information contained therein shall be disclosed to others without the express written consent of GE Energy, and that the information shall be used by the recipient solely as approved expressly by GE Energy. This document shall be returned to GE upon its request. This document may be subject to certain restrictions under U.S. export control laws and regulations.

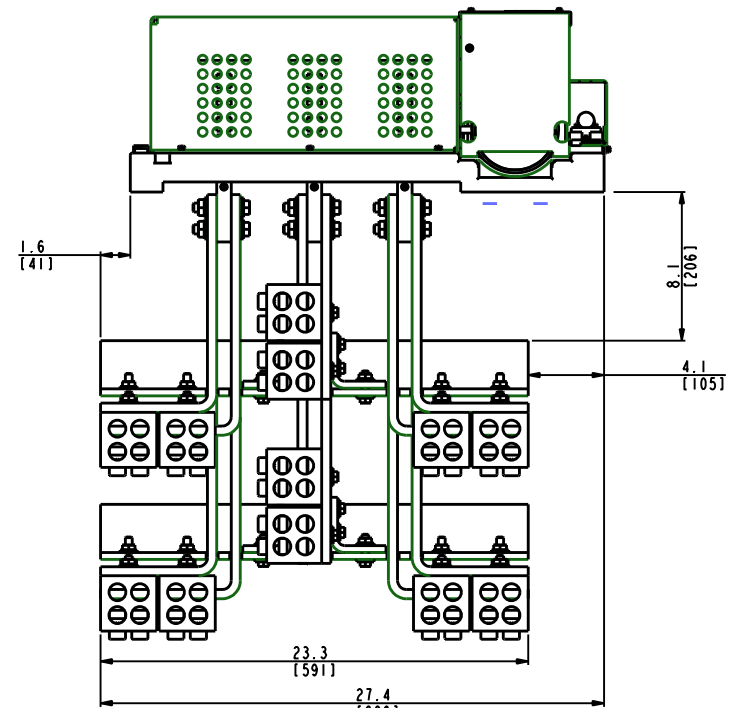
REVISIONS			
REV.	DESCRIPTION	DATE	APPROVED
1	C048458 ESTABLISHED DWG	09/18/18	YP MAS



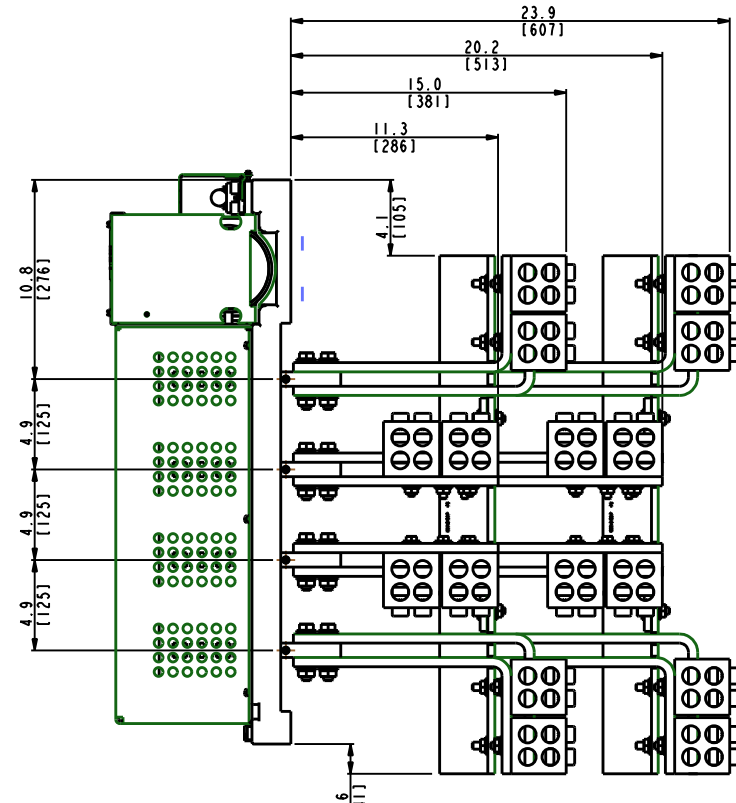
LH SIDE VIEW(4 POLE)



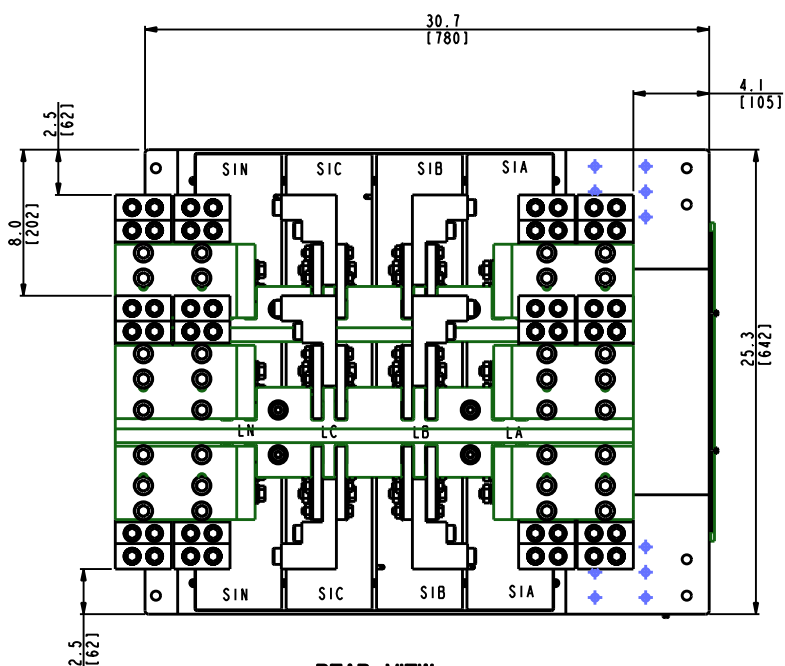
FRONT VIEW (4POLE UNIT)  
(STANDARD TRANSITION)  
SCALE 0.200



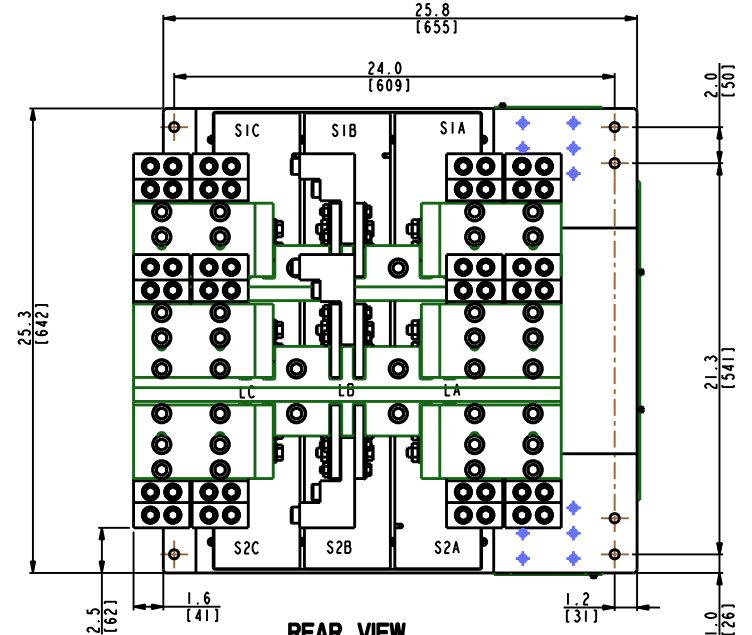
TOP VIEW  
(3-POLE UNIT)



TOP VIEW (4 POLE)



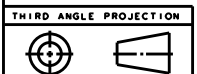
REAR VIEW  
(4-POLE ATS SHOWN)  
SCALE 0.200



REAR VIEW  
(3-POLE ATS SHOWN)  
SCALE 0.200

AMP	LUG SIZE
1600-3000A	#2-600 MCM (33-304 MM2) (QTY 8)

Part must conform to SI 900000 Sect. 4, Toxicity Procedure



NOTE:  
 1. REFER SHEET 2 FOR COMPLETE NOTE DETAILS.  
 2. STANDARD, DELAY AND CLOSED TRANSITION ATS HAS SAME DIMENSION EXCEPT THE DIFFERENCES SHOWN IN PAGE 2 "DELAY AND CLOSED TRANSITION PANEL" VIEW.

FOR ADDITIONAL INFO REFER TO:	SIGNATURES	DATE
APPLIED PRACTICES	MODEL	YP 09/18/18
DIMENSIONS ARE IN INCHES UNLESS OTHERWISE SPECIFIED IN DRAWING	CHECKED	YP 09/18/18
TOLERANCE ON: 1 PL DECIMALS ± 0.1 2 PL DECIMALS ± 0.02 3 PL DECIMALS ± 0.005 ANGLES ± 1.0 FRACTIONS ± FINISH	ENGRG	
CRITICAL TO QUALITY CHARACTERISTIC	ISSUED	
	DRAWING FILE: 50C-1050	
	SOLID MODEL: 50C-1050	

**GE Energy**

TITLE  
**OPEN TYPE ATS-LAYOUT  
 1600 - 3000A REAR BUS W/LUG  
 FOR STD, DELAY AND CLOSED TRANSITION**

SIZE DRAWING 50C-1050 1  
 SCALE: 0.111 SHEET 1 OF 3

18

17

16

15

14

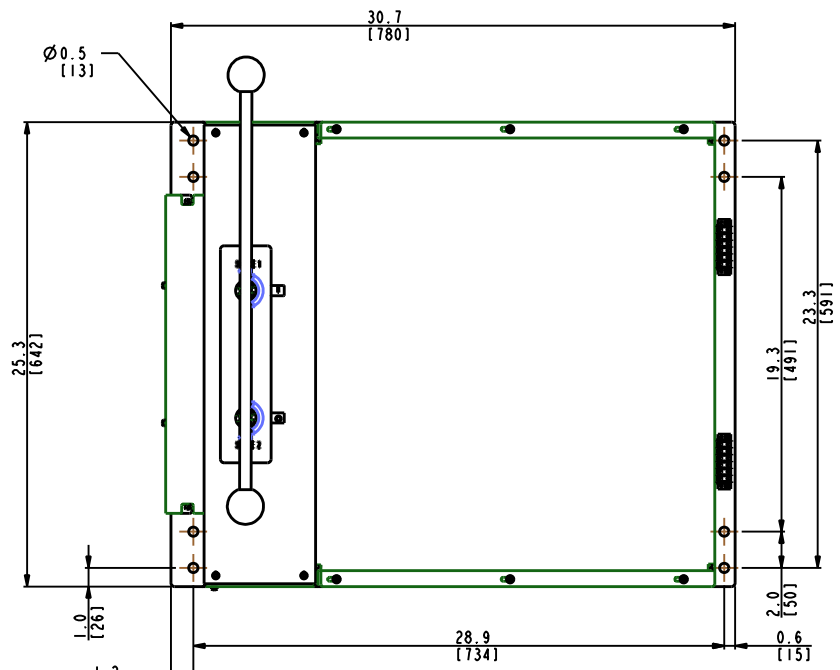
13

12

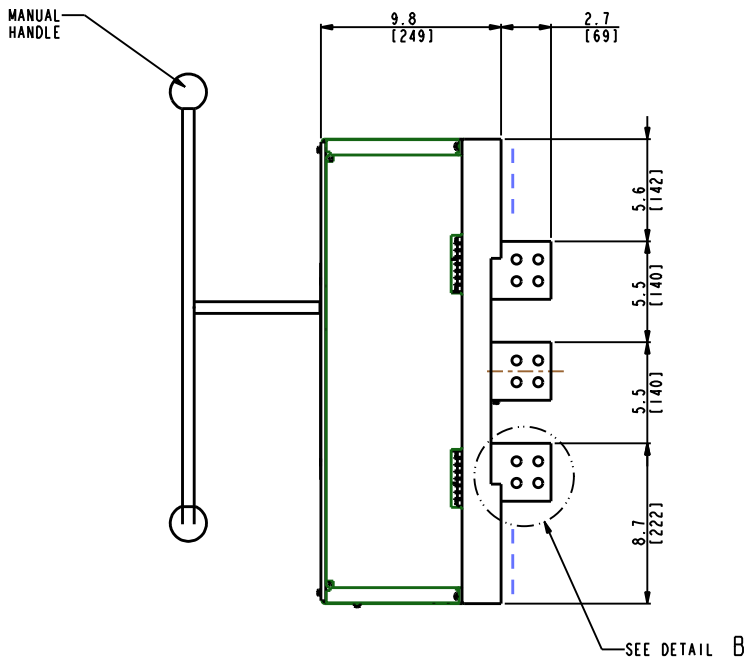
11

GE PROPRIETARY AND CONFIDENTIAL INFORMATION  
 This document is the property of General Electric Company ("GE") and contains proprietary information of GE. This document is issued on the express condition that neither it nor the information contained therein shall be disclosed to others without the express written consent of GE Energy, and that the information shall be used by the recipient only as approved expressly by GE Energy. This document shall be returned to GE upon its request. This document may be subject to certain restrictions under U.S. export control laws and regulations.

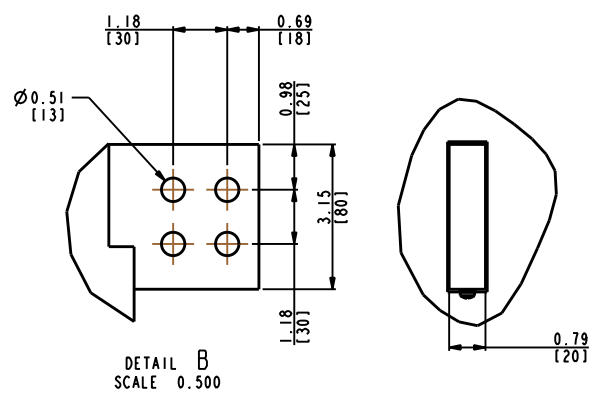
SIZE	DRAWING NO.	REV	SHEET
D	50C-1050	1	2
REVISIONS			
REV.	DESCRIPTION	DATE	APPROVED
1	C048458 ESTABLISHED DWG	09/18/18	YP MAS



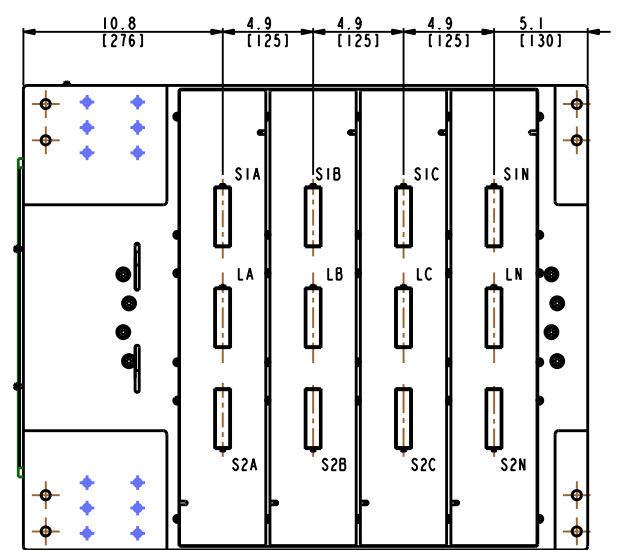
**FRONT VIEW- 4-POLE ATS  
(STANDARD TRANSITION)**  
SCALE 0.200



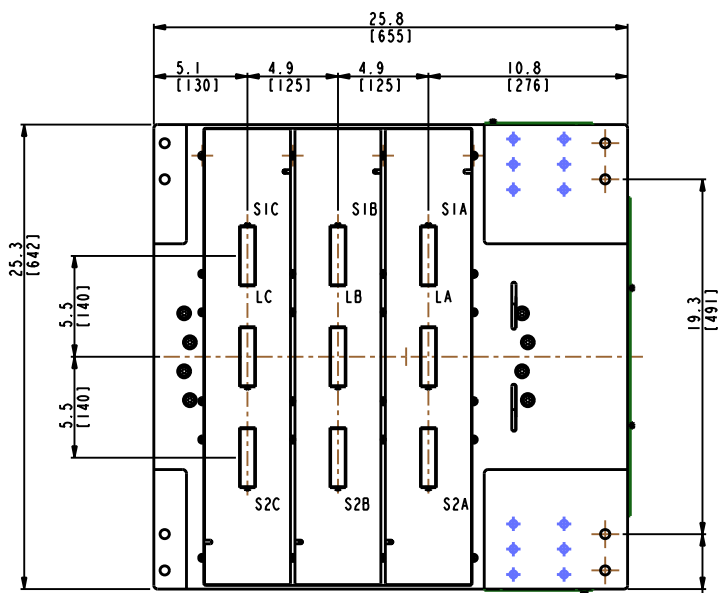
**RH SIDE VIEW**



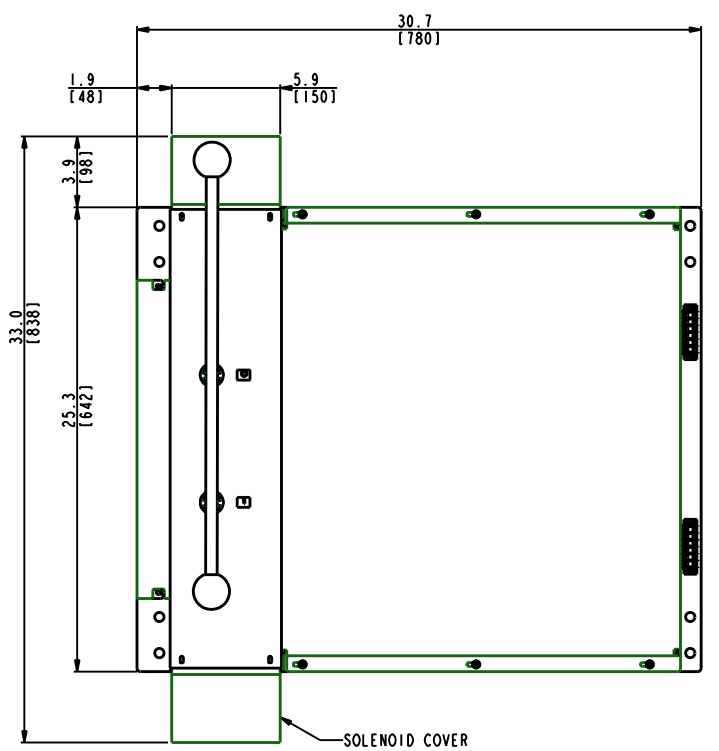
**DETAIL B  
SCALE 0.500**



**REAR VIEW  
(4-POLE ATS SHOWN)**  
SCALE 0.200



**3-POLE SWITCH  
BUS DEATILS (REAR VIEW)**  
SCALE 0.200



**FRONT VIEW- 4-POLE ATS  
(DELAYED AND CLOSED TRANSITION)**

SCALE 0.200

- DELAY AND CLOSED TRANSITION PANEL HAS LONGER SOLENOID COVER

- NOTE :
- CONSTRUCTION PER UL-1008 STANDARD.
  - OPEN TYPE SWITCH SUPPLIED WITH 6 FT(1.8m) LONG HARNESS BETWEEN POWER AND CONTROL PANELS. HARNESS EXITS FROM LOWER RIGHT CORNER OF POWER PANEL.
  - REAR CONNECT DESIGN. RUN ALL CABLES REAR OF THE PANEL. REAR OR SIDE ACCESS REQUIRED FOR CABLE/BUS CONNECTION.
  - STANDARD SWITCH CONFIGURATION IS TOP SOURCE-1, MIDDLE LOAD AND BOTTOM SOURCE2.
  - MAINTAIN ELECTRICAL CLEARANCE OF (125.4mm) MIN. BETWEEN LIVE METAL PARTS AND GROUNDED METAL.
  - LUGS ARE OPTIONAL. ADD LUG OPTION IN ORDER AS REQUIRED. (MECHANICAL LUGS SHOWN IN VIEWS FOR REFERENCE ONLY)
  - COMPRESSION LUG AVAILABLE AS OPTION. CONTACT FACTORY FOR DETAILS.
  - REFER LUG TORQUE TABLE SUPPLIED WITH ATS FOR FIELD TORQUE INFORMATION.
  - REFER NEMA-1 CABINET DRAWING FOR RECOMMENDED CABINET SIZE.
  - 100% RATED SOLID/SWITCHED NEUTRAL PROVIDED PER THE SWITCH CONFIGURATION.
  - ALL DIMENSIONS ARE FOR REFERENCE ONLY AND SHOWN IN INCHES(MILLIMETERS).
  - SEE "DOOR DETAIL" & "CONTROL PANEL" DIMENSIONS ON SHEET 3.
  - OPERATING HANDLE WILL SHIP LOOSE WITH THE ATS UNIT. REFER PAGE 3 FOR HANDLE DETAILS

**ATS PANEL WEIGHT (WITHOUT LUG):**

AMP	POLE	WEIGHT LB (KG)
1600-3000A	3 POLE	410 (185)
	4 POLE	463 (210)

Part must conform to SI 900000 Sect. 4, Toxicity Procedure

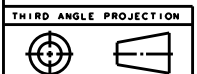
FOR ADDITIONAL INFO REFER TO:	SIGNATURES	DATE
APPLIED PRACTICES	MODEL	YP 09/18/18
DIMENSIONS ARE IN INCHES UNLESS OTHERWISE SPECIFIED IN DRAWING	CHECKED	YP 09/18/18
TOLERANCE ON: 1 PL DECIMALS ± 0.1 2 PL DECIMALS ± 0.02 3 PL DECIMALS ± 0.005 ANGLES ± 1.0	ENGNG	
FRACTIONS ±	MFG	
FINISH	QUALITY	
CRITICAL TO QUALITY CHARACTERISTIC	ISSUED	
	DRAWING FILE: 50C-1050	
	SOLID MODEL: 50C-1050	

**GE Energy**

**OPEN TYPE ATS-LAYOUT  
1600 - 3000A REAR BUS W/LUG  
FOR STD, DELAY AND CLOSED TRANSITION**

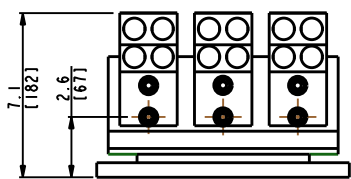
SIZE: D DRAWING: 50C-1050 REV: 1

SCALE: 0.111 SHEET 2 OF 3

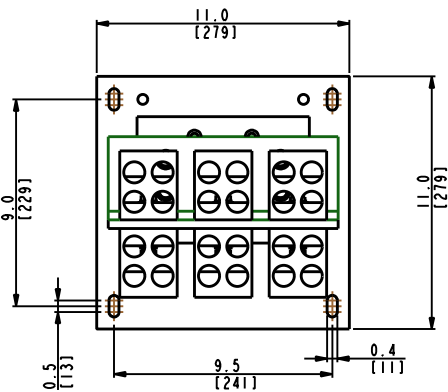


GE PROPRIETARY AND CONFIDENTIAL INFORMATION  
 This document is the property of General Electric Company ("GE") and contains proprietary information of GE. This document is loaned on the express condition that neither it nor the information contained therein shall be disclosed to others without the express written consent of GE Energy, and that the information shall be used only for the purposes expressly approved by GE Energy. This document shall be returned to GE upon its request. This document may be subject to certain restrictions under U.S. export control laws and regulations.

REVISIONS			
REV.	DESCRIPTION	DATE	APPROVED



TOP VIEW

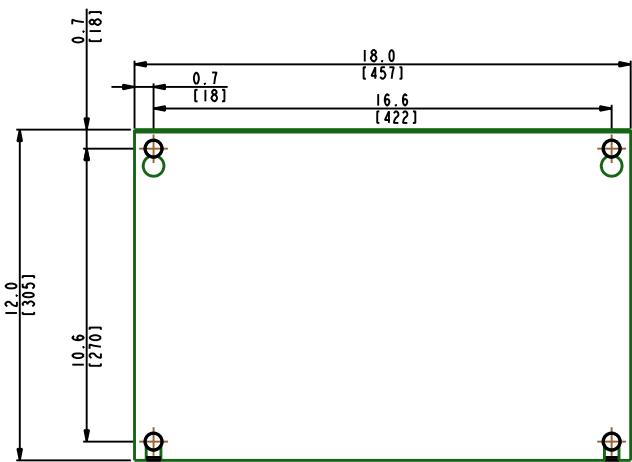


FRONT VIEW

**NEUTRALBAR ASSEMBLY**

(SHOWN WITH MECHANICAL LUG)  
 (SEE NOTE ON PAGE 2 FOR DETAILS)

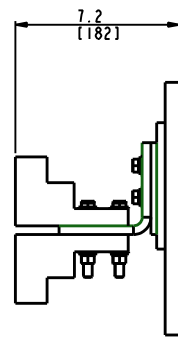
SCALE 0.250



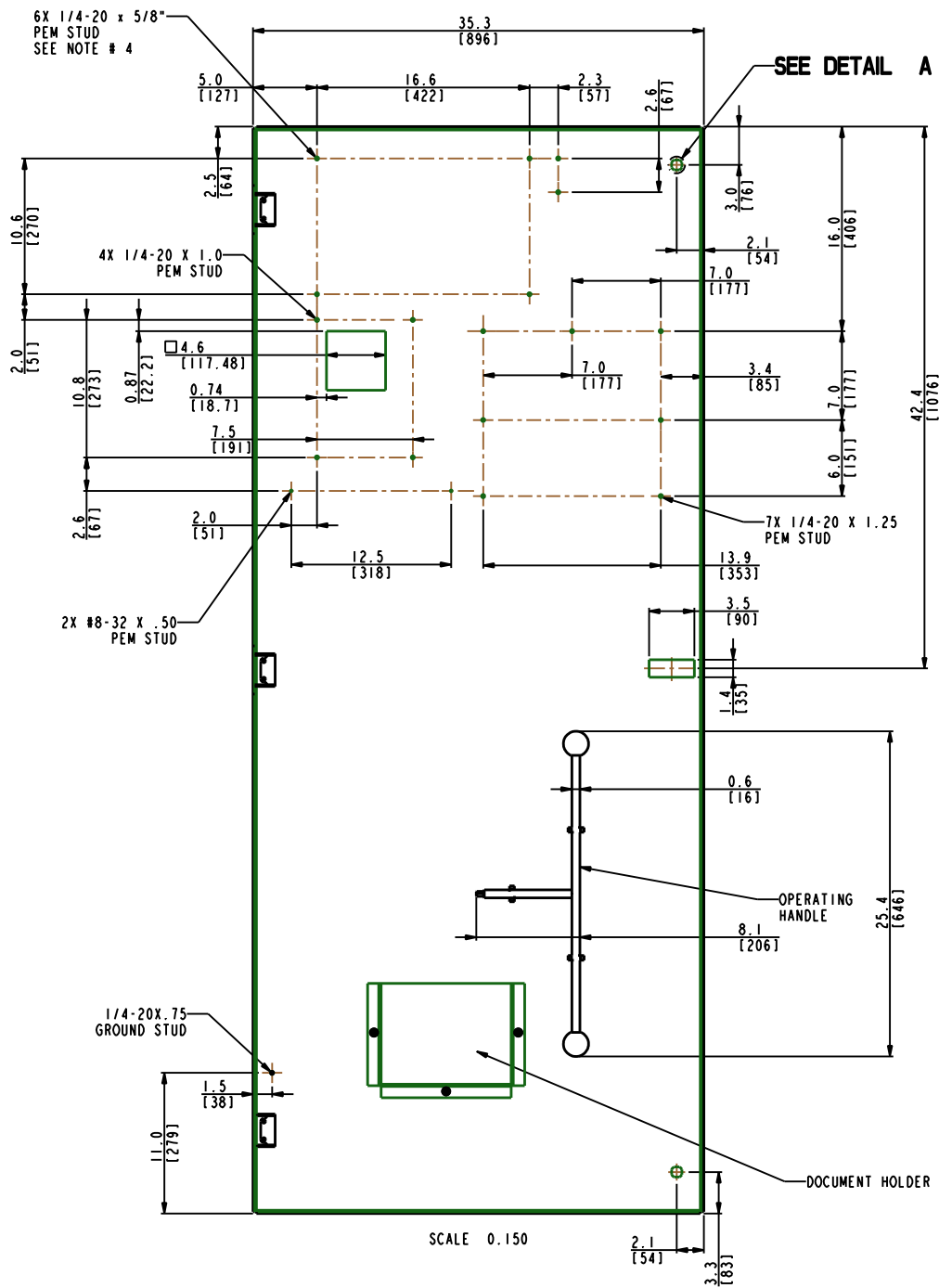
FRONT VIEW

**AUXILIARY PANEL**

SCALE 0.300

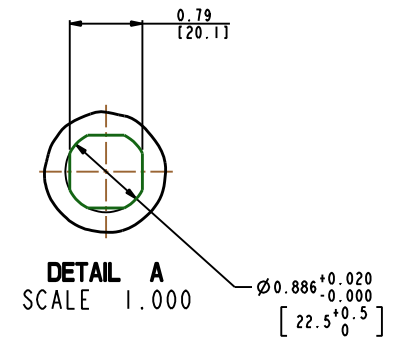


RH SIDE VIEW



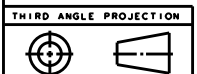
SCALE 0.150

**INSIDE DOOR VIEW  
 SHOWN FOR REFERENCE**



**DETAIL A**  
 SCALE 1.000

NOTE: AUXILIARY PANEL IS ONLY PROVIDED WHEN ANY OPTION REQUIRED IT.



FOR ADDITIONAL INFO REFER TO: APPLIED PRACTICES	SIGNATURES	DATE
DIMENSIONS ARE IN INCHES UNLESS OTHERWISE SPECIFIED IN DRAWING	MODEL	YP 09/18/18
TOLERANCE ON: 1 PL DECIMALS ± 0.1 2 PL DECIMALS ± 0.02 3 PL DECIMALS ± 0.005 ANGLES ± 1.0 FRACTIONS ± FINISH	CHECKED	YP 09/18/18
CRITICAL TO QUALITY CHARACTERISTIC	ENGRG	
Part must conform to SI 900000 Sect. 4, Toxicity Procedure	ISSUED	

**GE Energy**

TITLE  
**OPEN TYPE ATS-LAYOUT  
 1600 - 3000A REAR BUS W/LUG  
 FOR STD, DELAY AND CLOSED TRANSITION**

SIZE DRAWING  
**50C-1050 1**

SCALE: 0.111

SHEET 3 OF 3