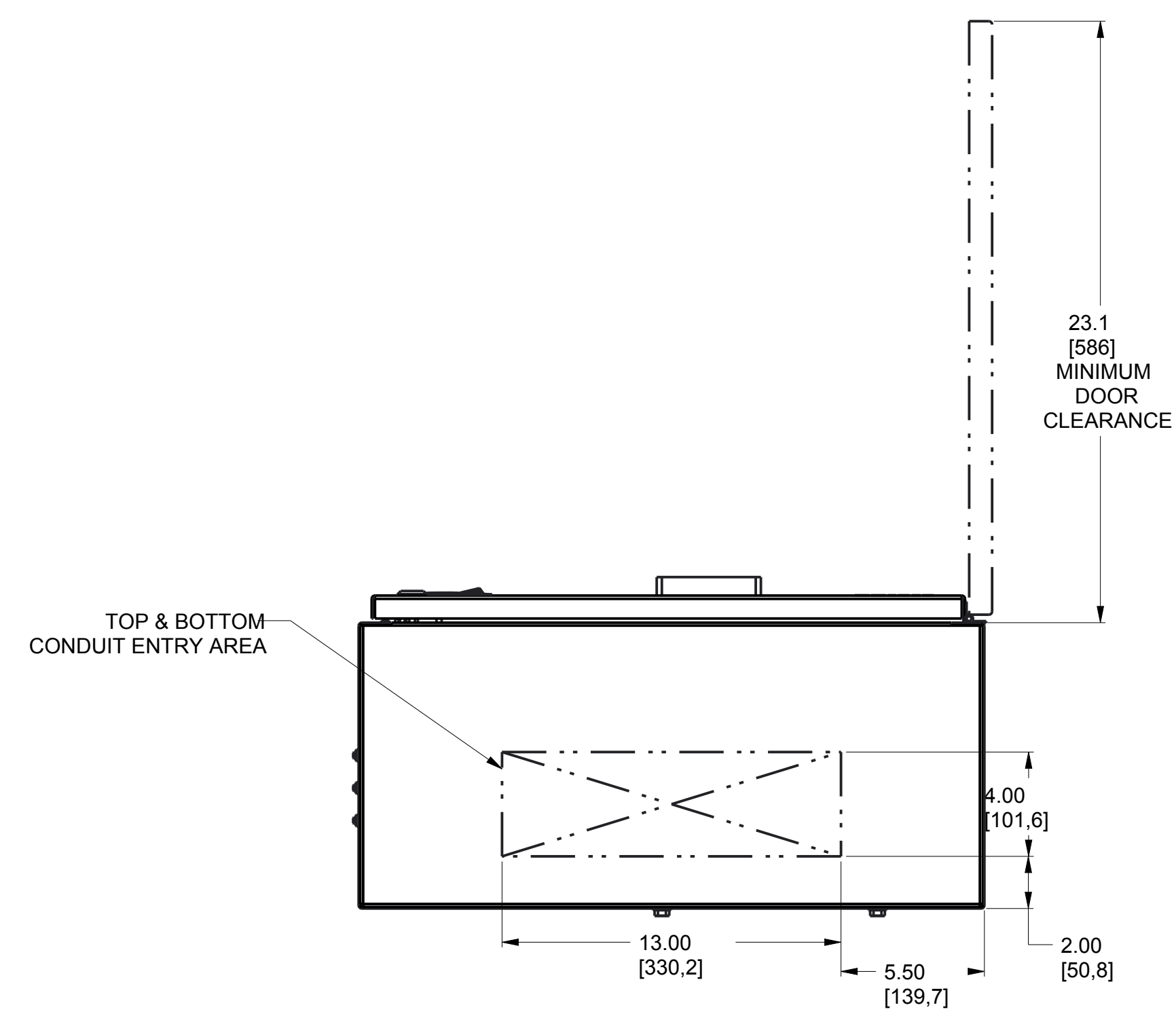
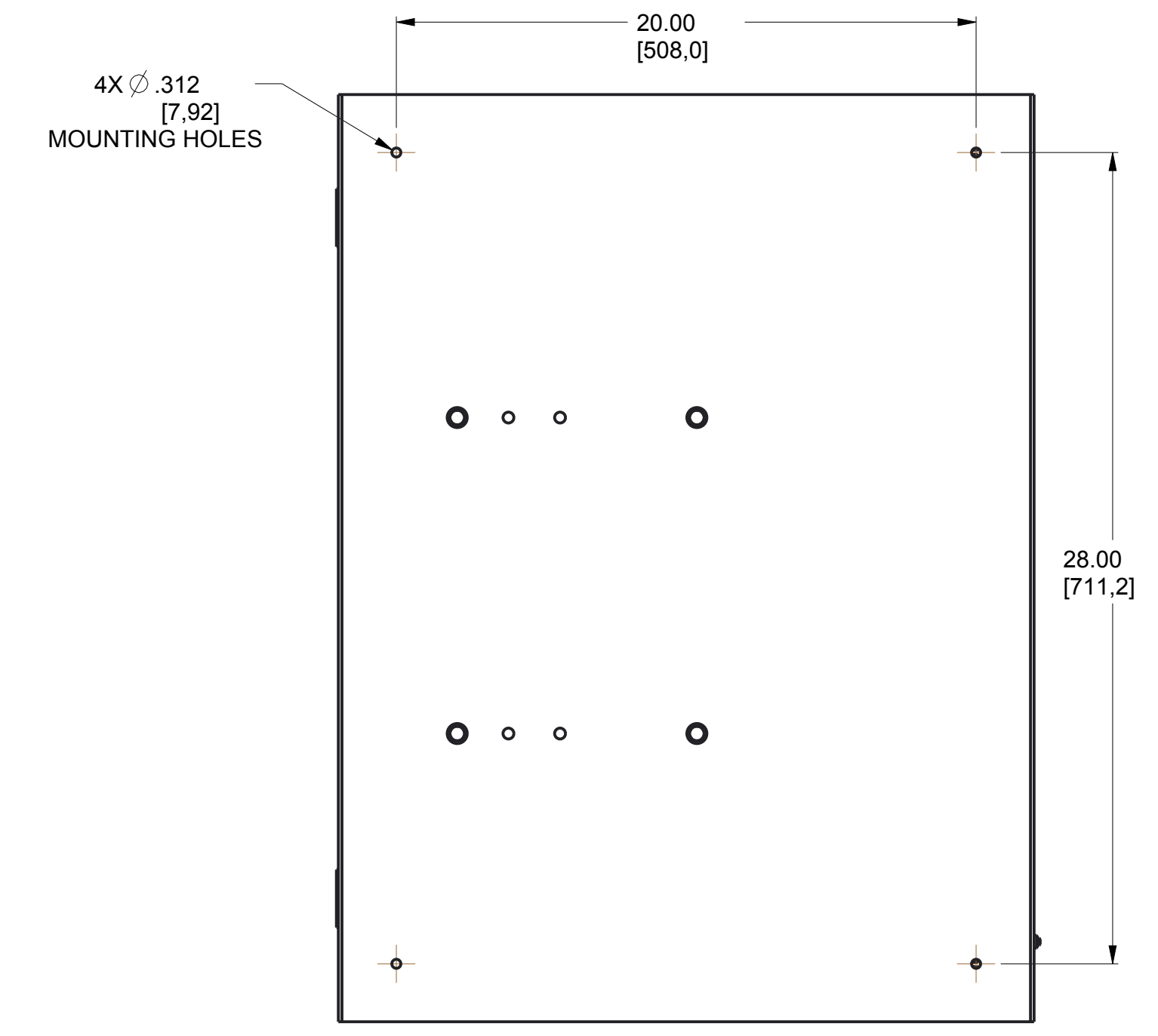
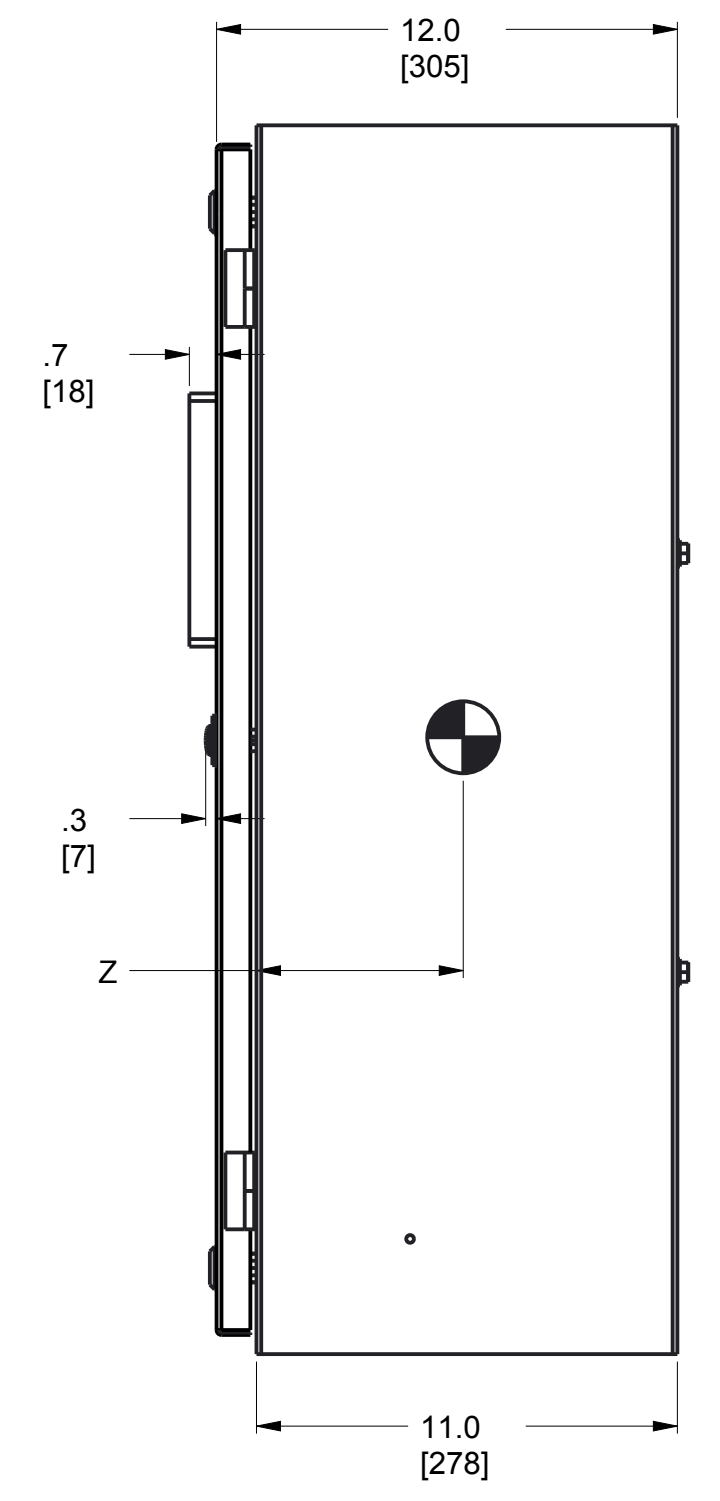
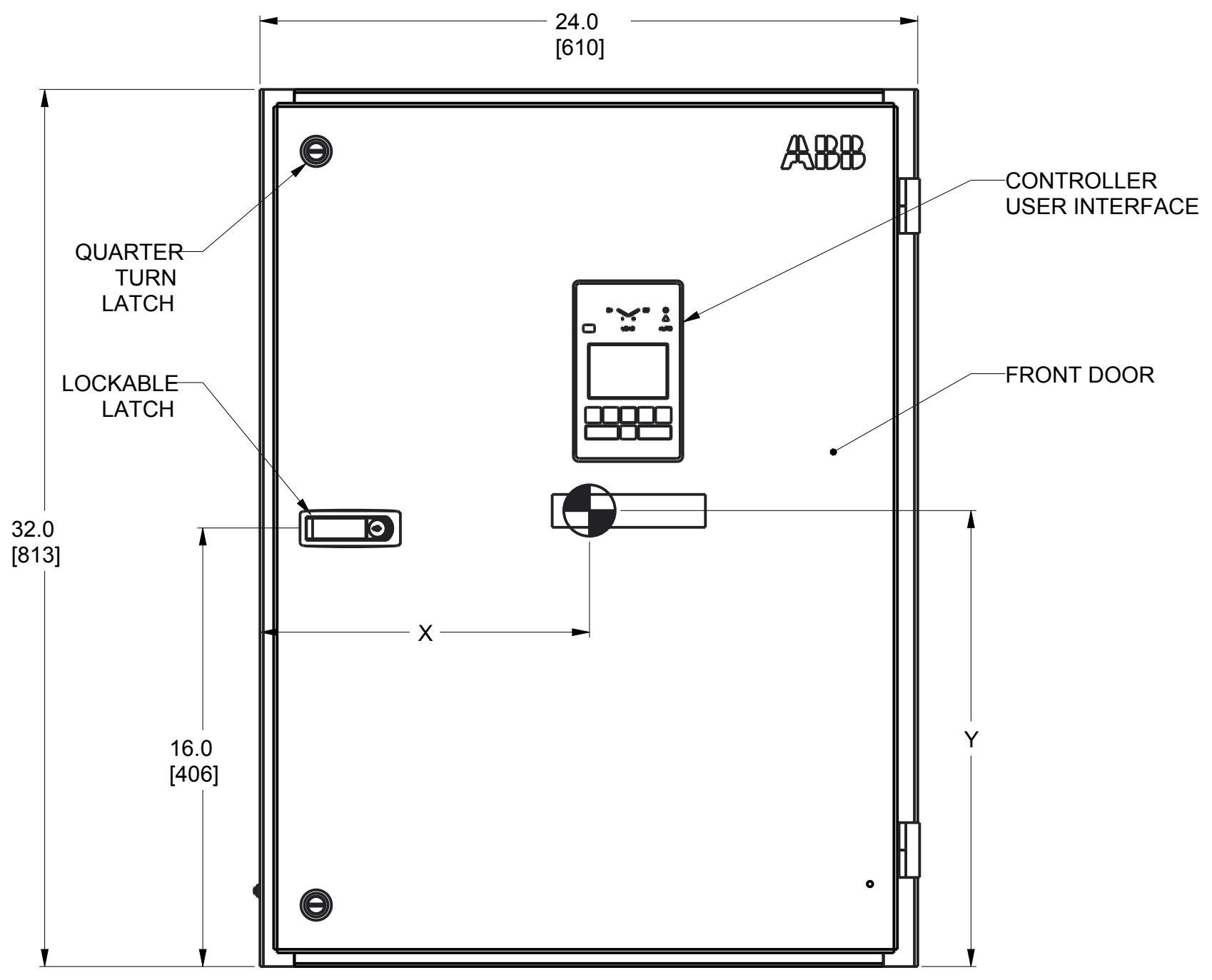


3D Model is the Master Document of Record
 Article or National Must Conform to NEC, IEC, UL, and other applicable standards.
 Part Must Conform to 39500000 See "Locality Procedure"
 Geometric Dimensioning & Tolerancing as per ASME Y14.5-2009

ABB PROPRIETARY AND CONFIDENTIAL INFORMATION
 The information contained in this document has to be kept strictly confidential.
 Any unauthorized use, disclosure, or distribution of this information is strictly forbidden.
 ABB reserves all rights regarding intellectual property rights.
 Copyright 2018 ABB. All rights reserved.



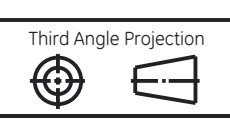
AMP	POLE	CONTROLLER TYPE	CABINET #	LUG RANGE	WEIGHT			CENTER OF GRAVITY IN(MM)		
					LB(KG)	X	Y	Z		
30-200A	2	SEE TABLE A	F-2010MP	QTY 1 4 AWG-300 KCMIL	89(40)	11.3 (287)	15.9 (405)	5.4 (137)		
	3				93(42)					
	4				98(44)					

TYPE	TRANSITION	LEVEL	PART NO.
ZTX	OPEN	2	OXAMI1-L2
ZTG	OPEN	3	OXAMI1-L3
ZTGD	DELAYED	3	OXBMI1-L3

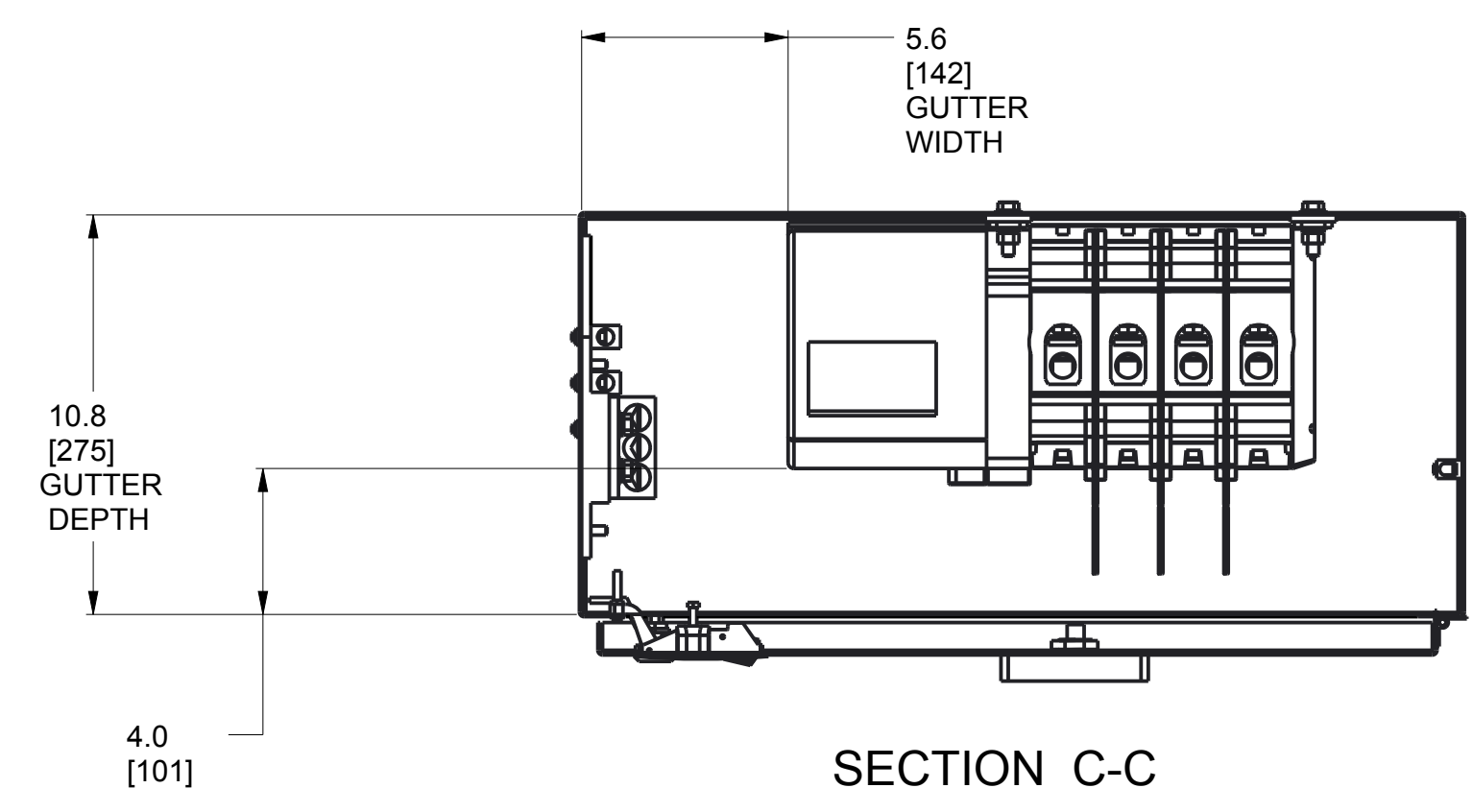
- NOTES
- ENCLOSURE : NEMA TYPE1, WALL MOUNT.
 - MATERIAL: 14 GA (.0747) 1018 HRS REF.
 - FINISH : ANSI 61 GREY
 - CONSTRUCTION PER UL 1008 STANDARD.
 - FRONT ACCESSIBLE UNIT. NO SIDE OR REAR ACCESS REQUIRED.
 - SUITABLE WIRE BENDING SPACE PROVIDED PER THE SAFETY AGENCY STANDARDS.
 - UL AND CSA RECOGNIZED/CERTIFIED MECHANICAL LUGS ARE STANDARD.
 - EQUIPMENT GROUND LUG IS PROVIDED IN ALL UNITS. REFER TO SHEET 2 FOR DETAILS.
 - ALL DIMENSIONS ARE FOR REFERENCE ONLY AND SHOWN IN INCHES(MILLIMETERS).
 - 100% RATED SOLID/SWITCHED NEUTRAL PROVIDED PER THE SWITCH CONFIGURATION.
 - SUITABLE FOR TOP AND/OR BOTTOM CABLE ENTRY.

- SEISMIC NOTES:
- CENTER OF GRAVITY DIMENSIONS ARE FOR REFERENCE ONLY.
 - FOR WORKING CLEARANCE REFER TO NATIONAL AND LOCAL CODES AND STANDARDS.

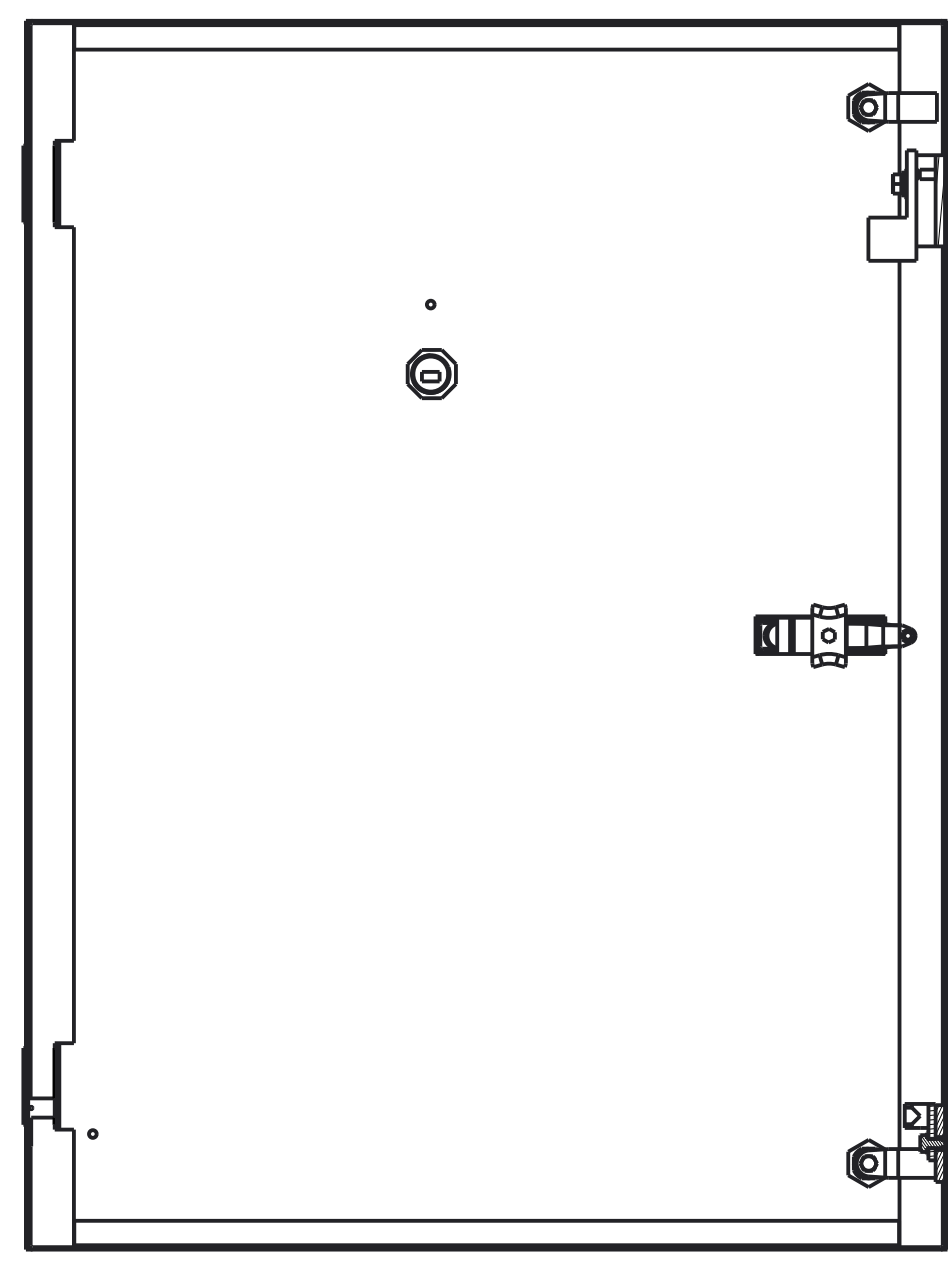
DRAWING FILE 50C-1060		MODEL FILE 50C-1060		ABB			
DATE MODIFIED 26-Apr-19 11:43:54 AM		DESIGNED BY APP					
Calculated for: VOLUME 0.000 in^3		CNR C067901		APPROVED BY SR		TITLE TruONE LAYOUT, 30A-200A NEMA 1	
MASS 0.000 lbm		MATERIAL SPECIFICATION ---		FINISH SPECIFICATION ---		UNITS in	
UNLESS OTHERWISE SPECIFIED		MATERIAL DESCRIPTION ---		FINISH DESCRIPTION ---		SIZE D	
TOLERANCE ON: 1 PL DECIMALS ± .01 2 PL DECIMALS ± .002 3 PL DECIMALS ± .0005 ANGLES ± .10		SCALE 9:100		PRODUCT LINE ZTX/ZTG(D)		ROOT NUMBER 50C-1060	
				REV 1		RELEASE STATE In Work	
						SHEET 1 of 2	



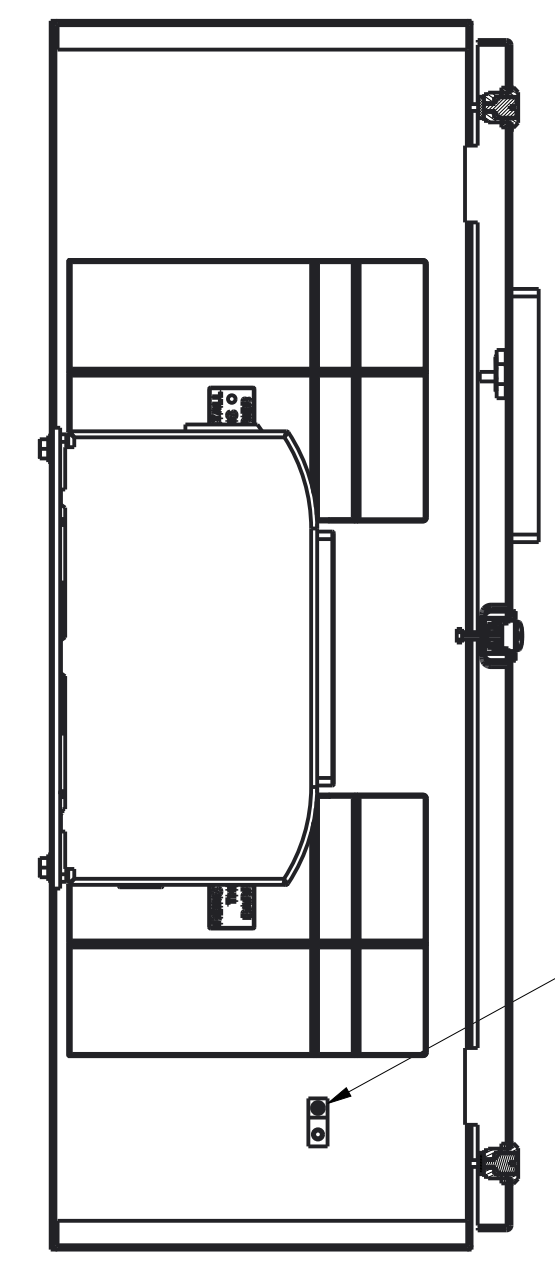
28 27 26 25 24 23 22 21



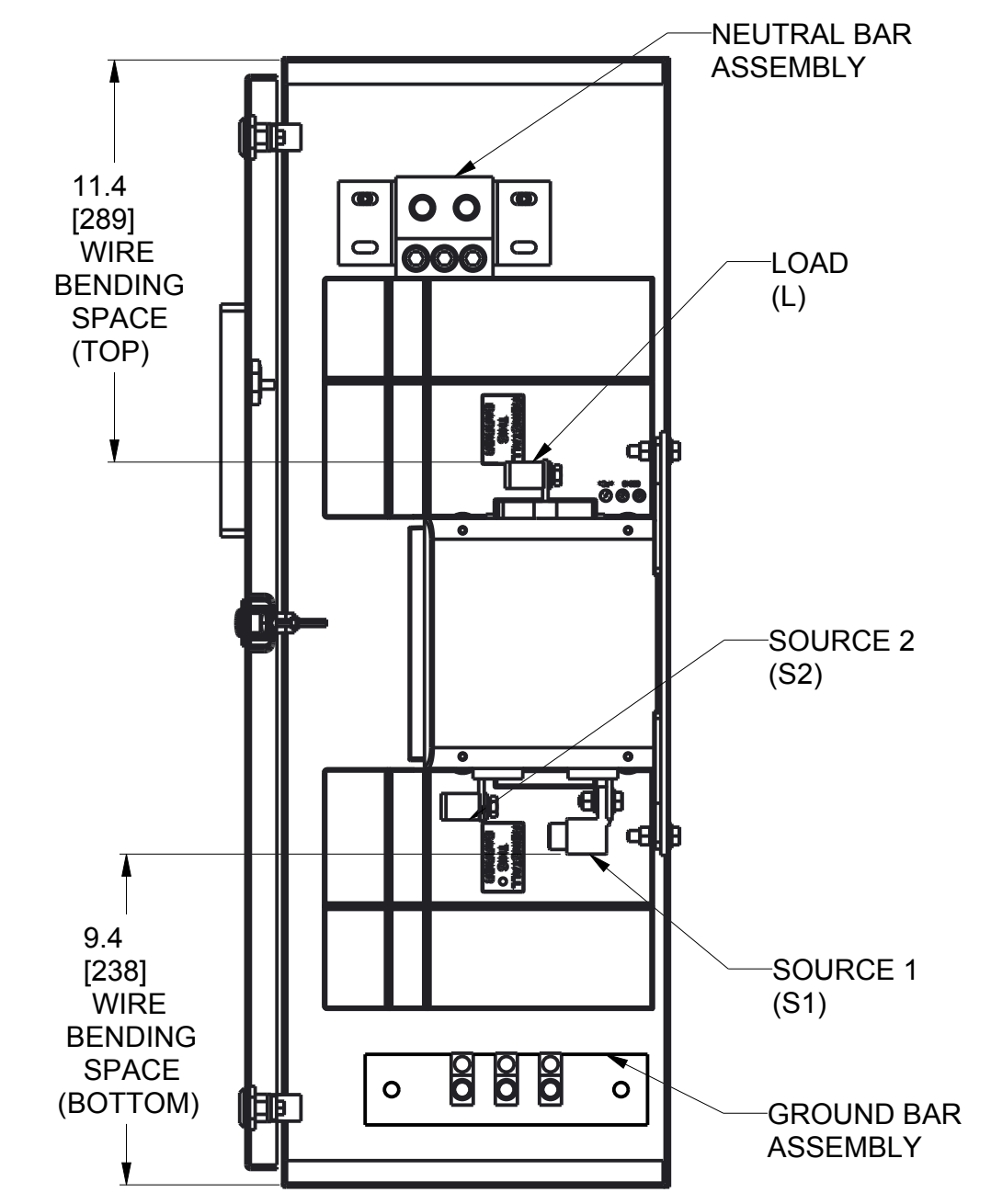
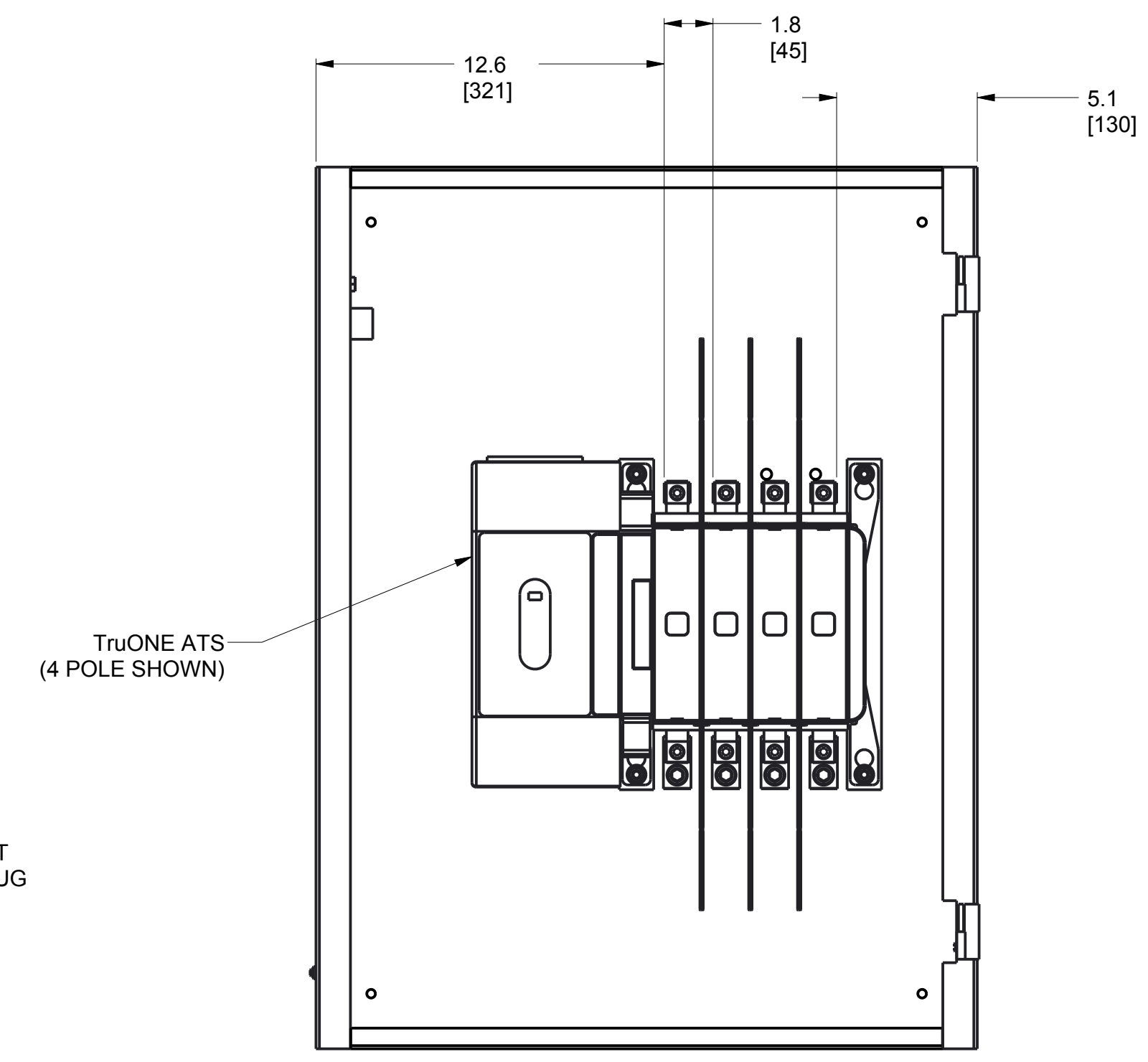
SECTION C-C



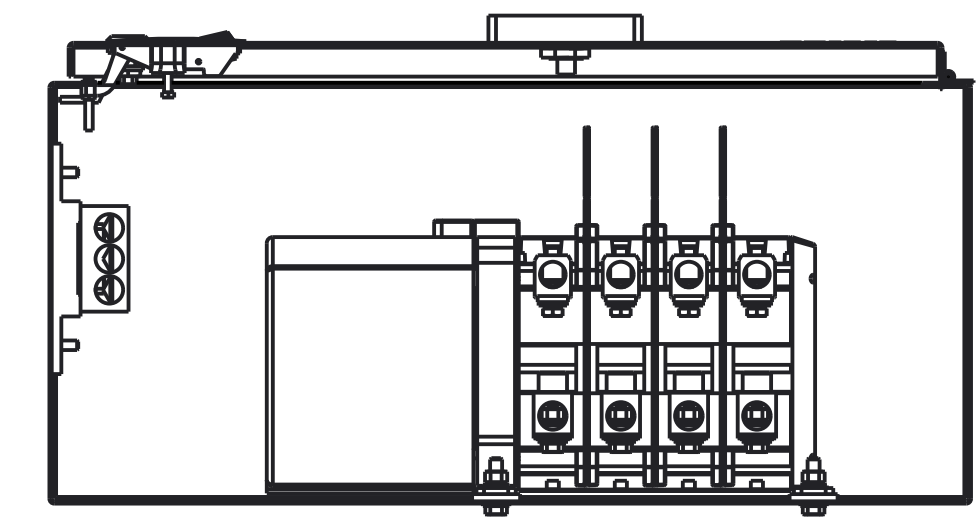
SECTION D-D



SECTION A-A
SCALE 1:5



SECTION B-B



SECTION E-E

ABB PROPRIETARY AND CONFIDENTIAL INFORMATION
The information contained in this document has to be kept strictly confidential.
Any unauthorized use, reproduction, distribution or disclosure to third parties is strictly forbidden.
ABB reserves the right to change specifications without notice.
Copyright © 2018 ABB. All rights reserved.

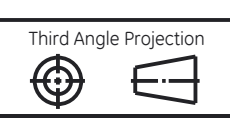


ABB			
SIZE	NUMBER	REV	
D	50C-1060	1	
SCALE	PRODUCT LINE	SHEET	
9:100	ZTX/ZTG(D)	2 of 2	

28 27 26 25 24 23 22 21