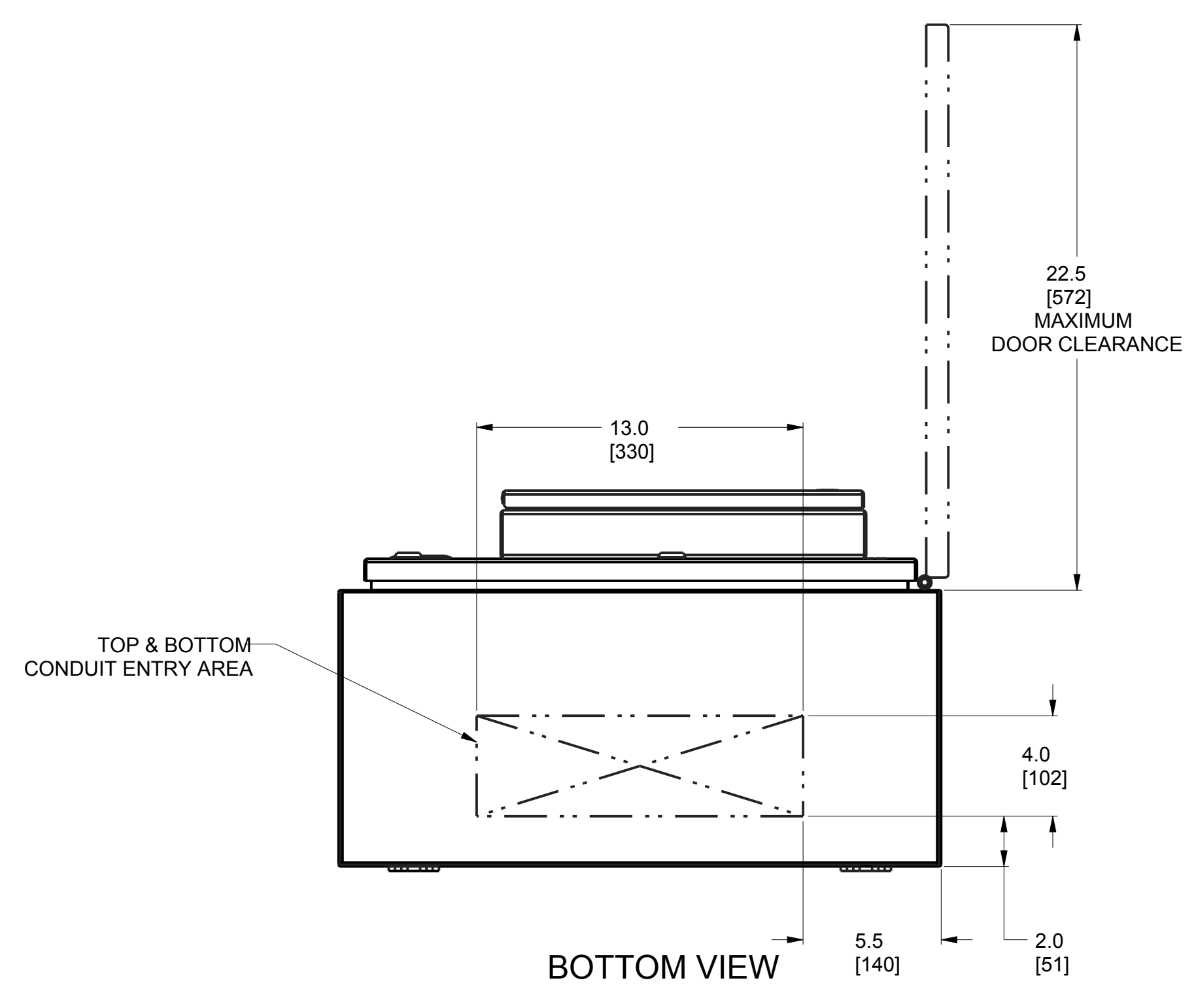
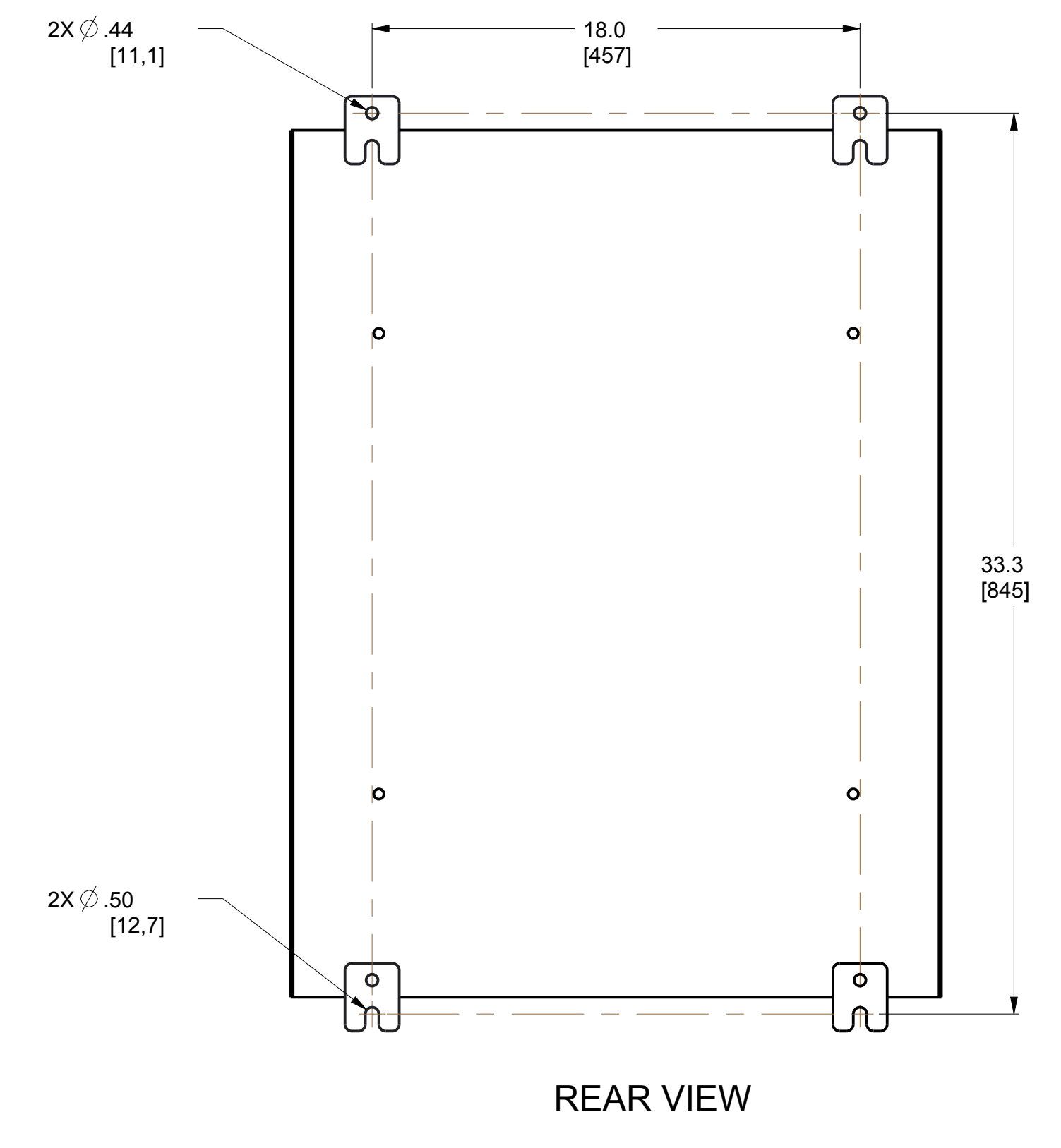
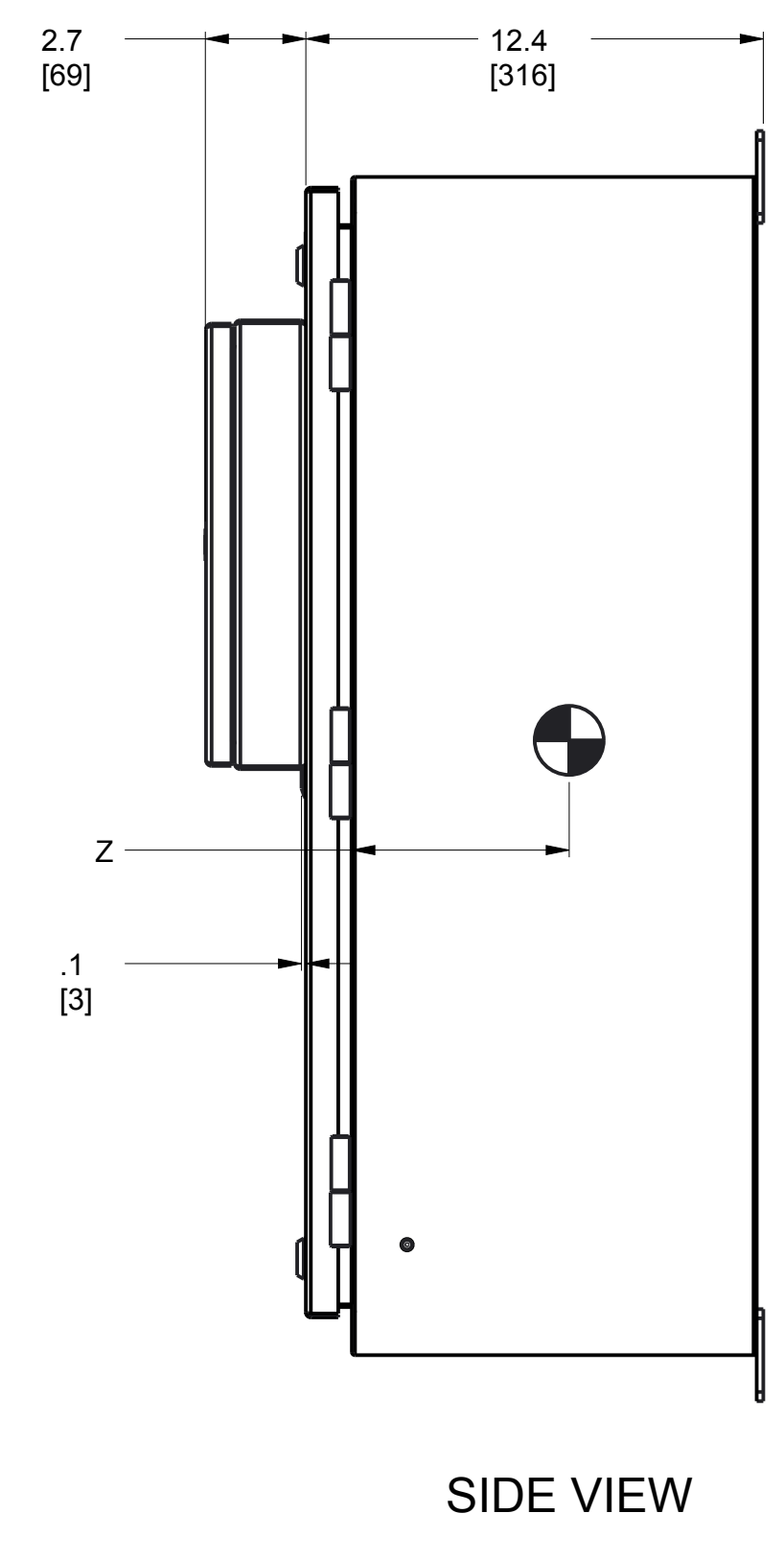
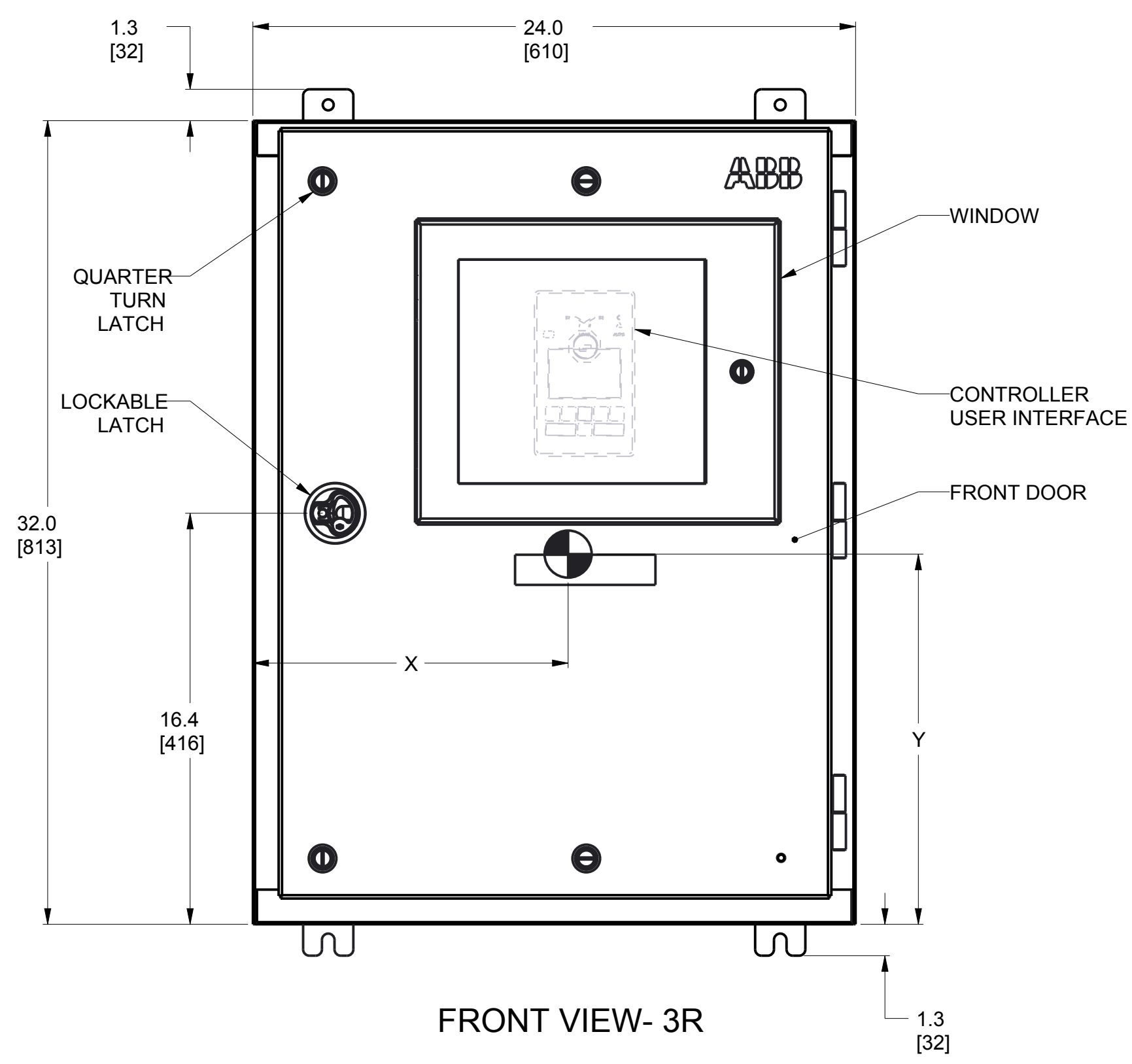


3D Model is the Master Document of Record
 Article or National Must Conform to IEC 61439-1 Procedure 5000000 Sec.1.4
 Part Must Conform to IEC 61439-2 Procedure 5000000 Sec.1.3
 Part Must Conform to IEC 61439-2 Procedure 5000000 Sec.1.4
 Geometric Dimensioning & Tolerancing as per ASME Y14.5-2009

ABB PROPRIETARY AND CONFIDENTIAL INFORMATION
 The information contained in this document is to be kept strictly confidential.
 Any unauthorized use, disclosure, or distribution of this information is strictly forbidden.
 ABB reserves all rights regarding intellectual property rights.
 Copyright 2018 ABB. All rights reserved.



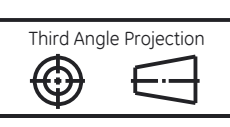
AMP	POLE	CONTROLLER TYPE	CABINET #	LUG RANGE	WEIGHT LB(KG)	CENTER OF GRAVITY IN(MM)		
						X	Y	Z
30-200A	2	SEE TABLE A	F-2011MPX	QTY 1 4 AWG-300 KCMIL	110(50)	11.4 (290)	15.9 (405)	5.9 (149)
	3				115(52)			
	4				120(54)			

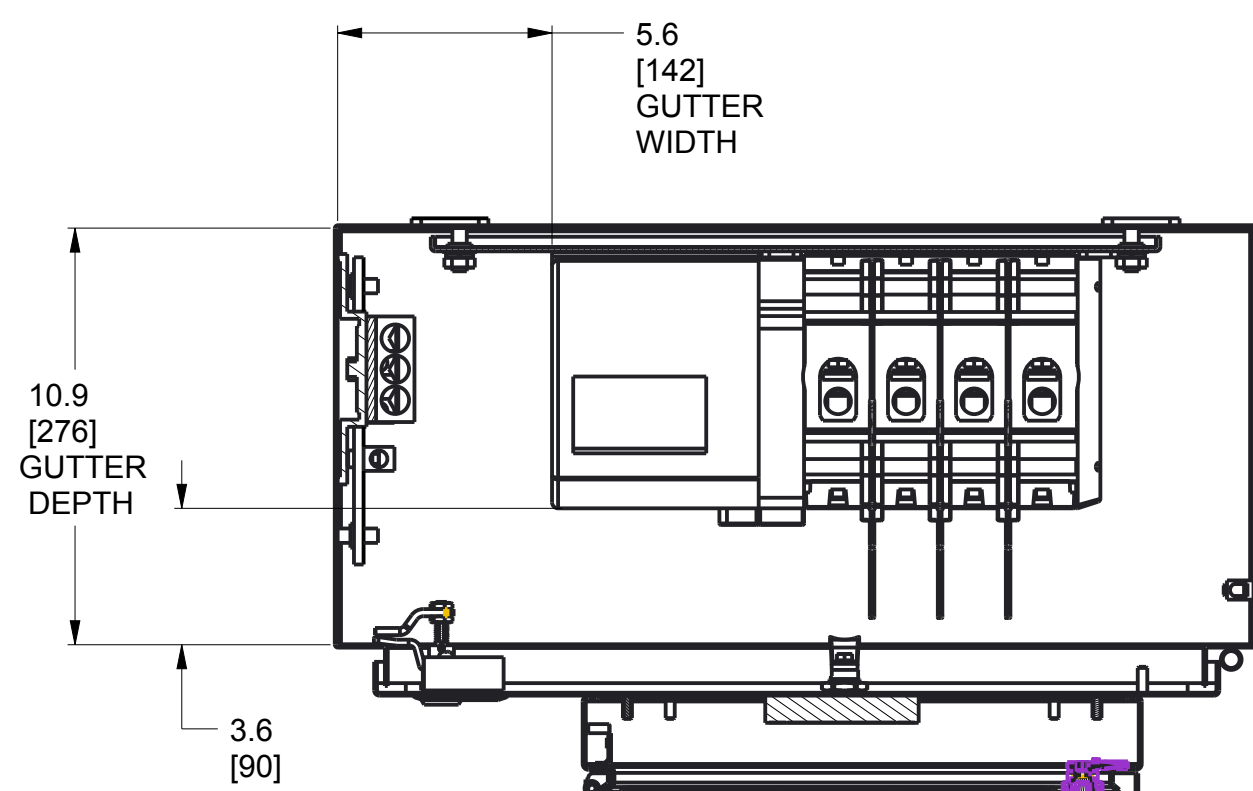
TYPE	TRANSITION	LEVEL	PART NO.
ZTX	OPEN	2	OXAMI1-L2
ZTG	OPEN	3	OXAMI1-L3
ZTGD	DELAYED	3	OXBMI1-L3

- NOTES
- ENCLOSURE : NEMA-4X TYPE, WALL MOUNT.
 - MATERIAL: 14 GA (.0747) 1018 HRS REF.
 - FINISH : ANSI 61 GREY
 - CONSTRUCTION PER UL 1008 STANDARD.
 - FRONT ACCESSIBLE UNIT. NO SIDE OR REAR ACCESS REQUIRED.
 - SUITABLE WIRE BENDING SPACE PROVIDED PER THE SAFETY AGENCY STANDARDS.
 - UL AND CSA RECOGNIZED/CERTIFIED MECHANICAL LUGS ARE STANDARD.
 - EQUIPMENT GROUND LUG IS PROVIDED IN ALL UNITS. REFER TO SHEET 2 FOR DETAILS.
 - ALL DIMENSIONS ARE FOR REFERENCE ONLY AND SHOWN IN INCHES(MILLIMETERS).
 - 100% RATED SOLID/SWITCHED NEUTRAL PROVIDED PER THE SWITCH CONFIGURATION.
 - SUITABLE FOR TOP AND/OR BOTTOM CABLE ENTRY.

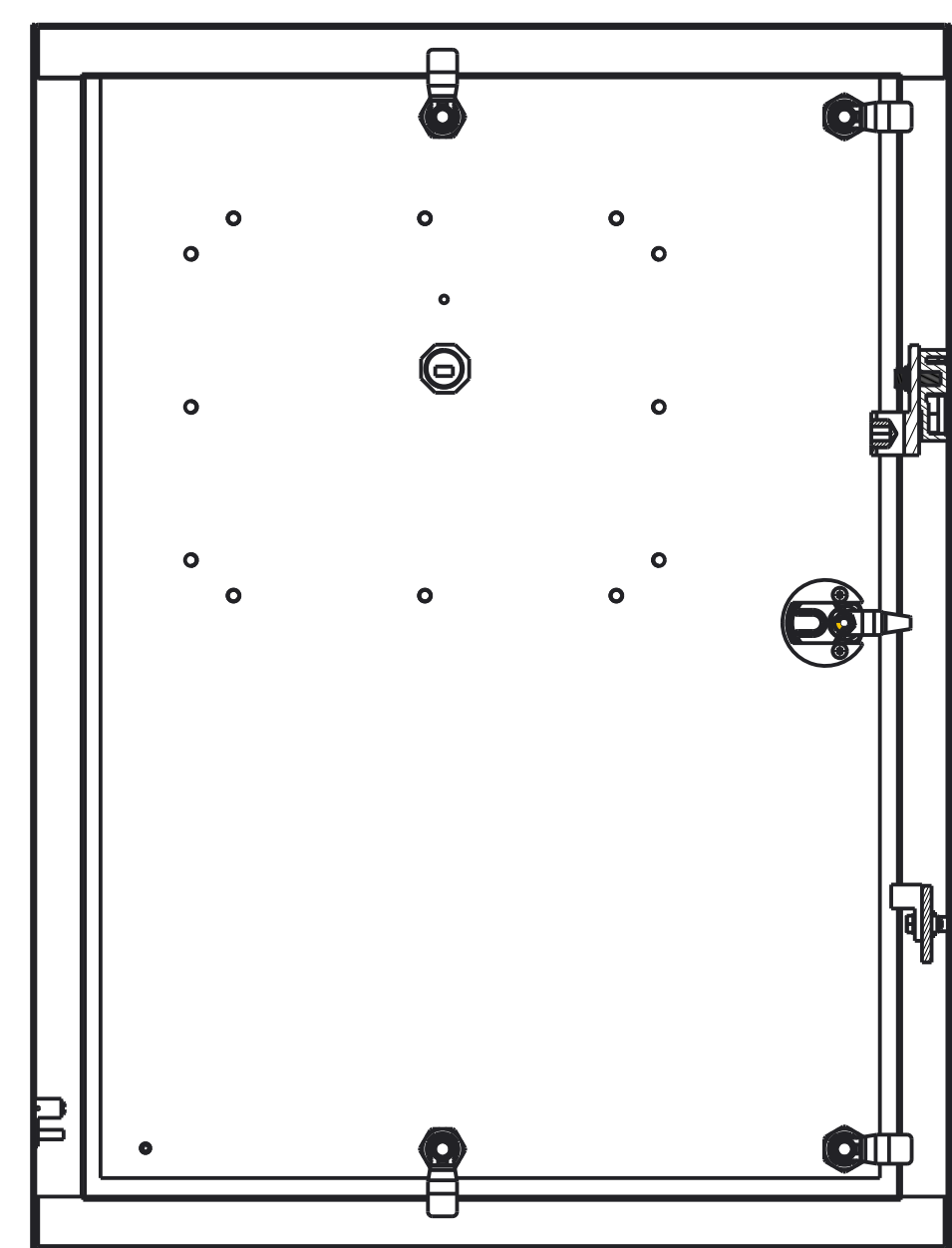
- SEISMIC NOTES:
- CENTER OF GRAVITY DIMENSIONS ARE FOR REFERENCE ONLY.
 - FOR WORKING CLEARANCE REFER TO NATIONAL AND LOCAL CODES AND STANDARDS.

DRAWING FILE 50C-1062		MODEL FILE 50C-1062		ABB			
DATE MODIFIED 25-Apr-19 09:31:38 AM		DESIGNED BY APP					
Calculated for: VOLUME 0.000 in^3		CNR C067901		APPROVED BY SR		TITLE TruONE LAYOUT, 30A-200A NEMA 4X	
MASS 0.000 lbm		MATERIAL SPECIFICATION ---		FINISH SPECIFICATION ---		UNITS in	LOCAL TITLE ---
UNLESS OTHERWISE SPECIFIED		MATERIAL DESCRIPTION ---		SIZE D	ROOT NUMBER 50C-1062	REV 1	RELEASE STATE In Work
TOLERANCE ON: 1 PL DECIMALS: ± 0.1 2 PL DECIMALS: ± 0.02 3 PL DECIMALS: ± 0.005 ANGLE: ± 1.0		FINISH DESCRIPTION ---		SCALE 1:10	PRODUCT LINE ZTX/ZTG(D)	SHEET 1 of 2	

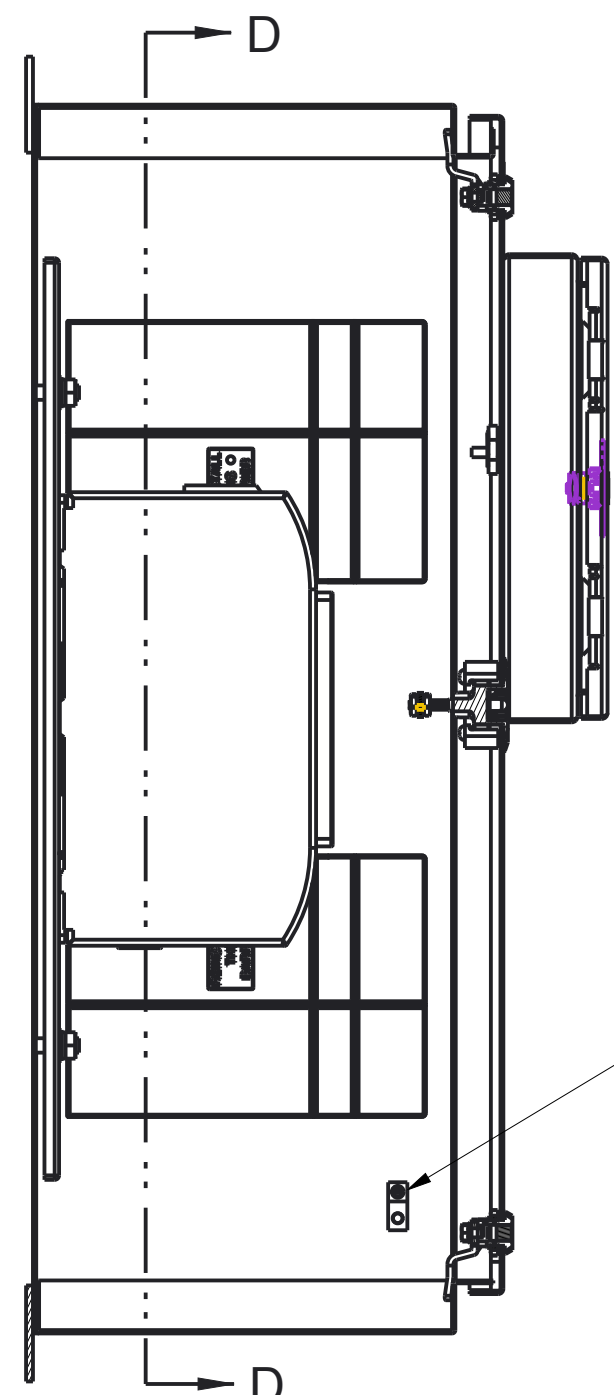




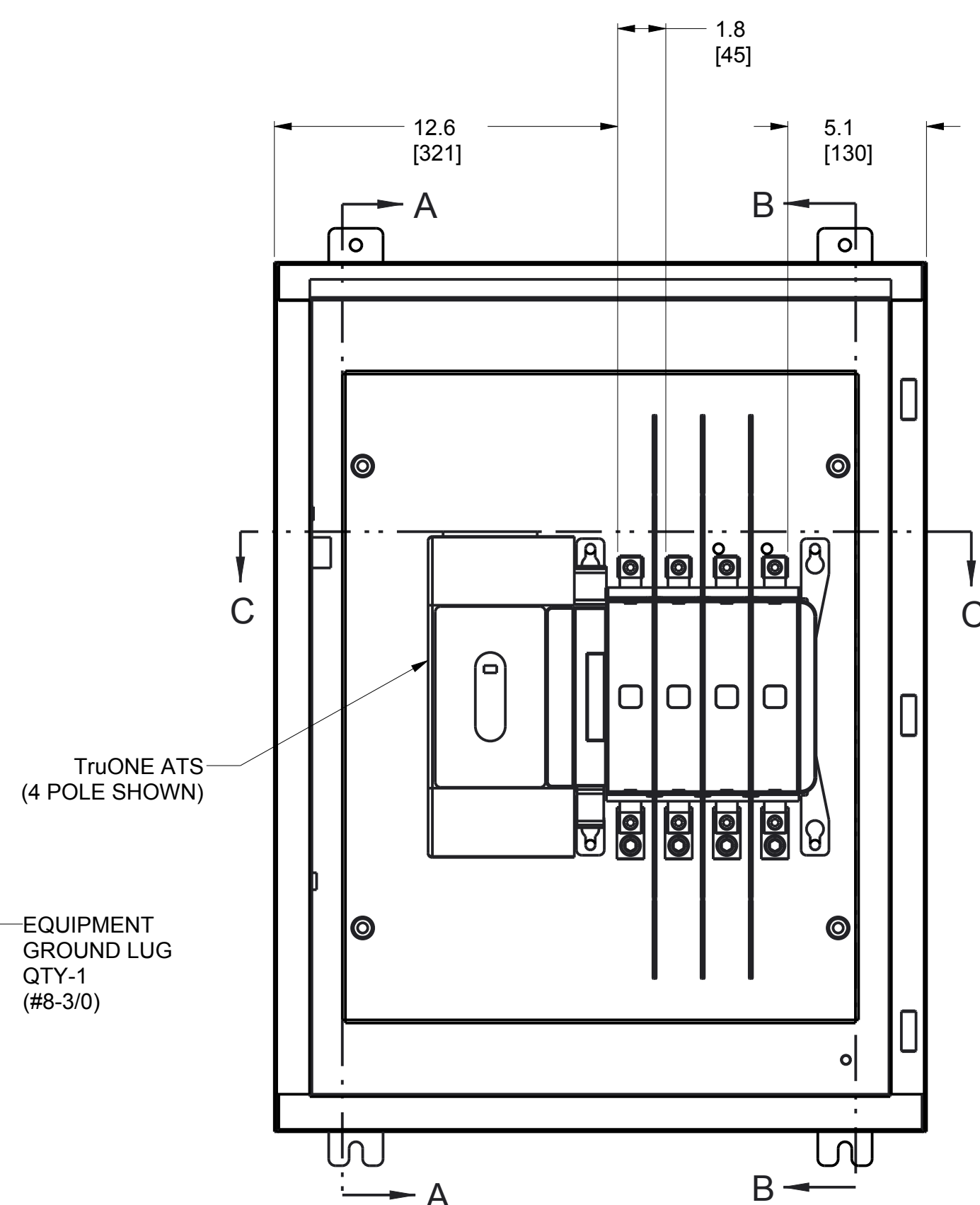
SECTION C-C
WITHOUT TOP PANEL



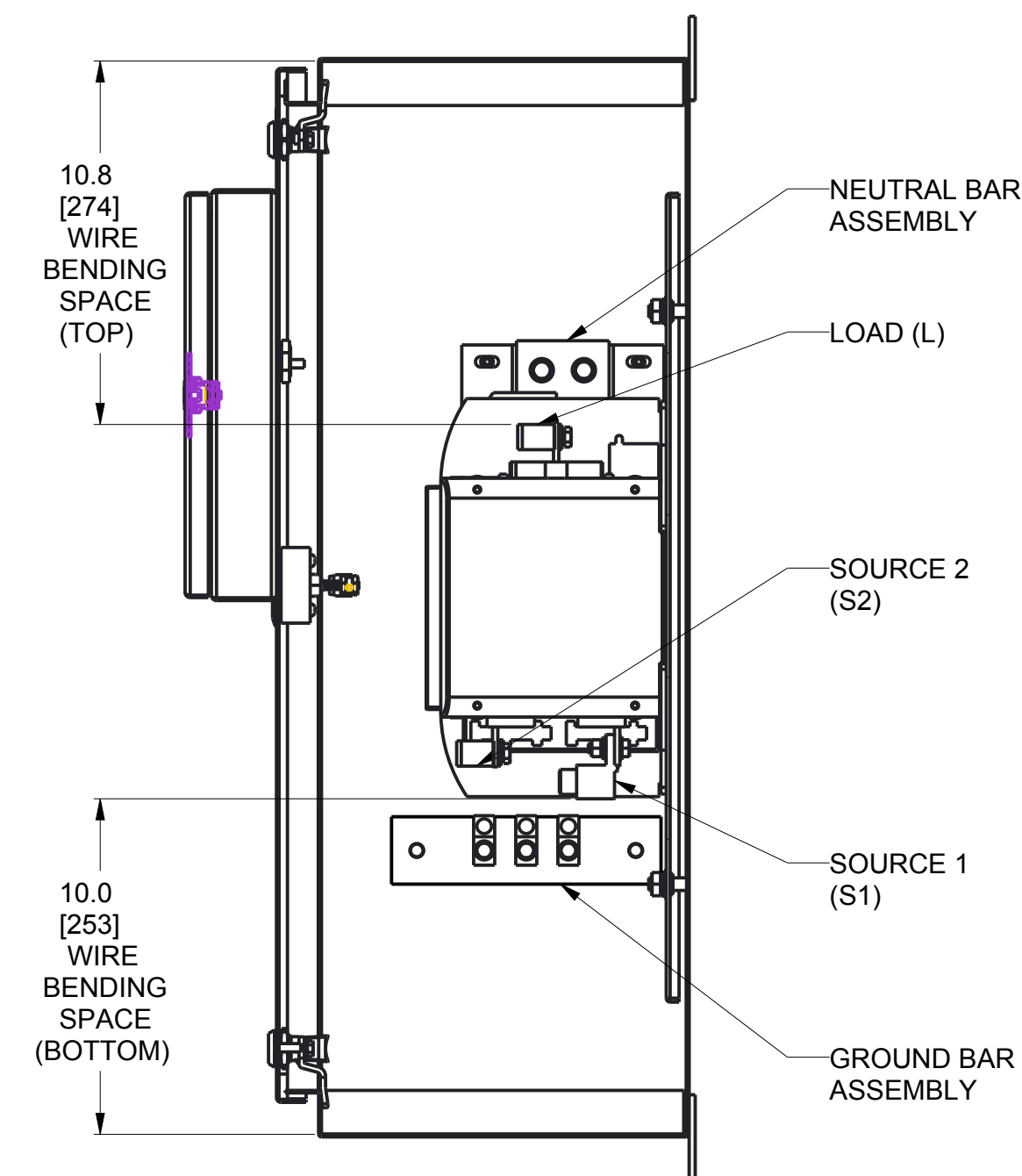
SECTION D-D
DOOR INSIDE VIEW



SECTION A-A
LEFT SIDE
WITHOUT SIDE PANEL



FRONT VIEW
WITHOUT DOOR



SECTION B-B
RIGHT SIDE
WITHOUT SIDE PANEL &
PHASE BARRIERS FOR CLARITY

NOTE:
1. REFER TO SHEET (1) FOR COMPLETE NOTE DETAILS
2. MECHANICAL LUGS SHOWN IN ABOVE VIEWS ARE FOR REFERENCE ONLY.

ABB PROPRIETARY AND CONFIDENTIAL INFORMATION
The information contained in this document has to be kept strictly confidential. Any unauthorized use, reproduction, distribution or disclosure to third parties is strictly forbidden. All rights reserved. © 2018 ABB.



ABB		
SIZE	NUMBER	REV
D	50C-1062	1
SCALE	PRODUCT LINE	SHEET
1:10	ZTX/ZTG(D)	2 of 2