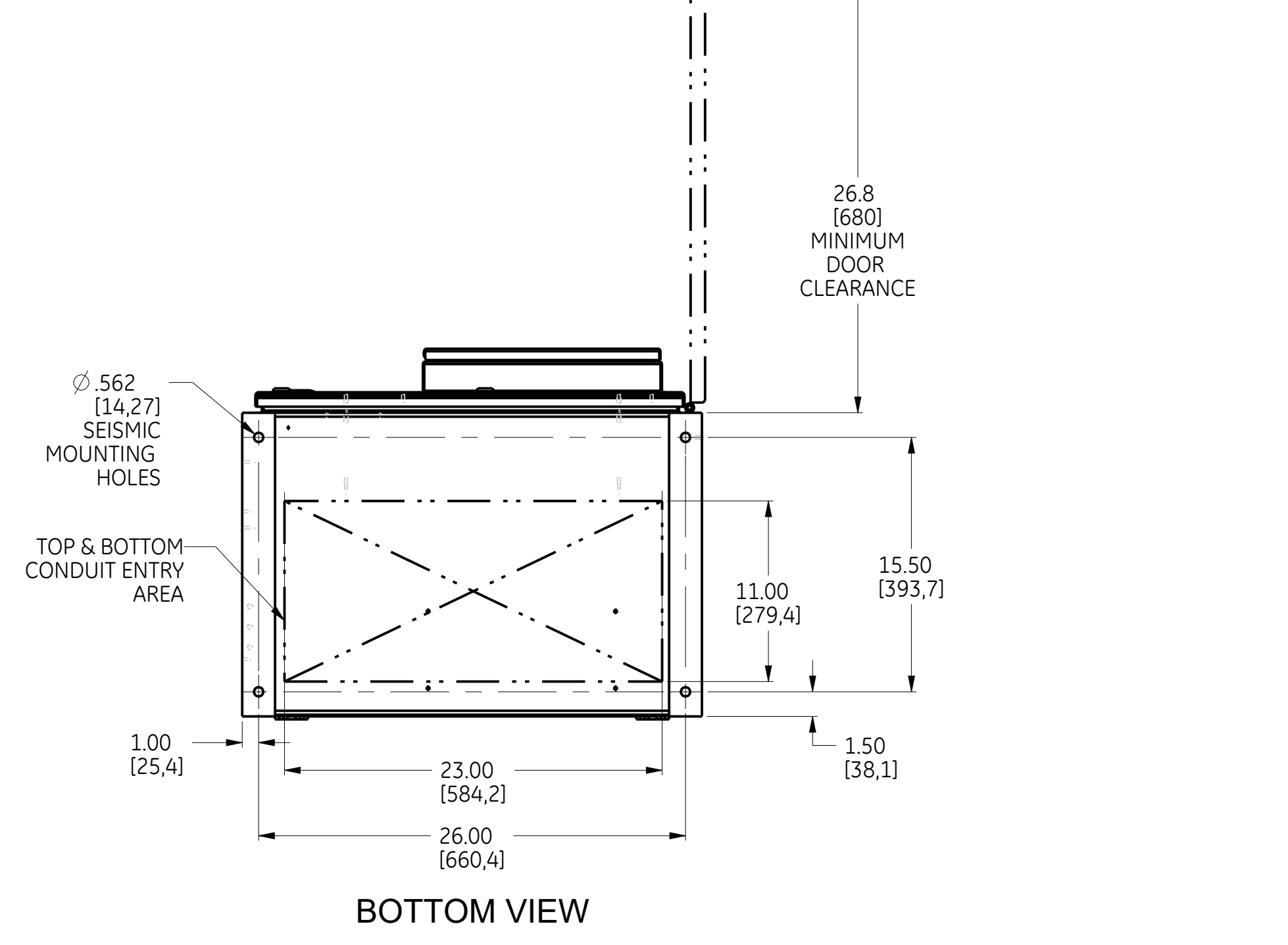
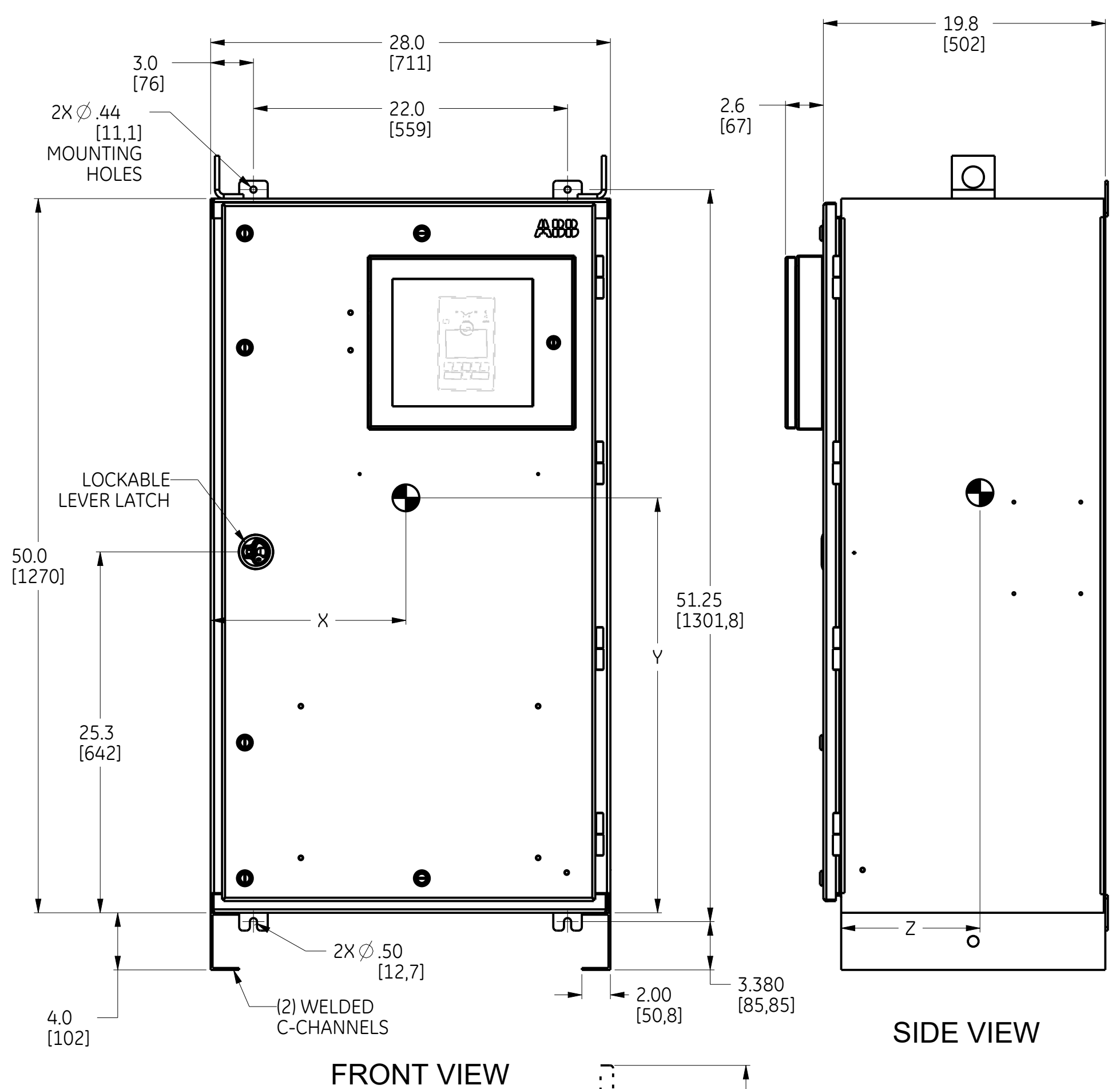


3D Model is the Master Document of Record
 Article or National Must Conform to IEC 61439-1 Procedure 5000000 Sec 1.4
 Part Must Conform to 5000000 Sec 1.4 Toxicity Procedure
 Geometric Dimensioning & Tolerancing as per ASME Y14.5-2009

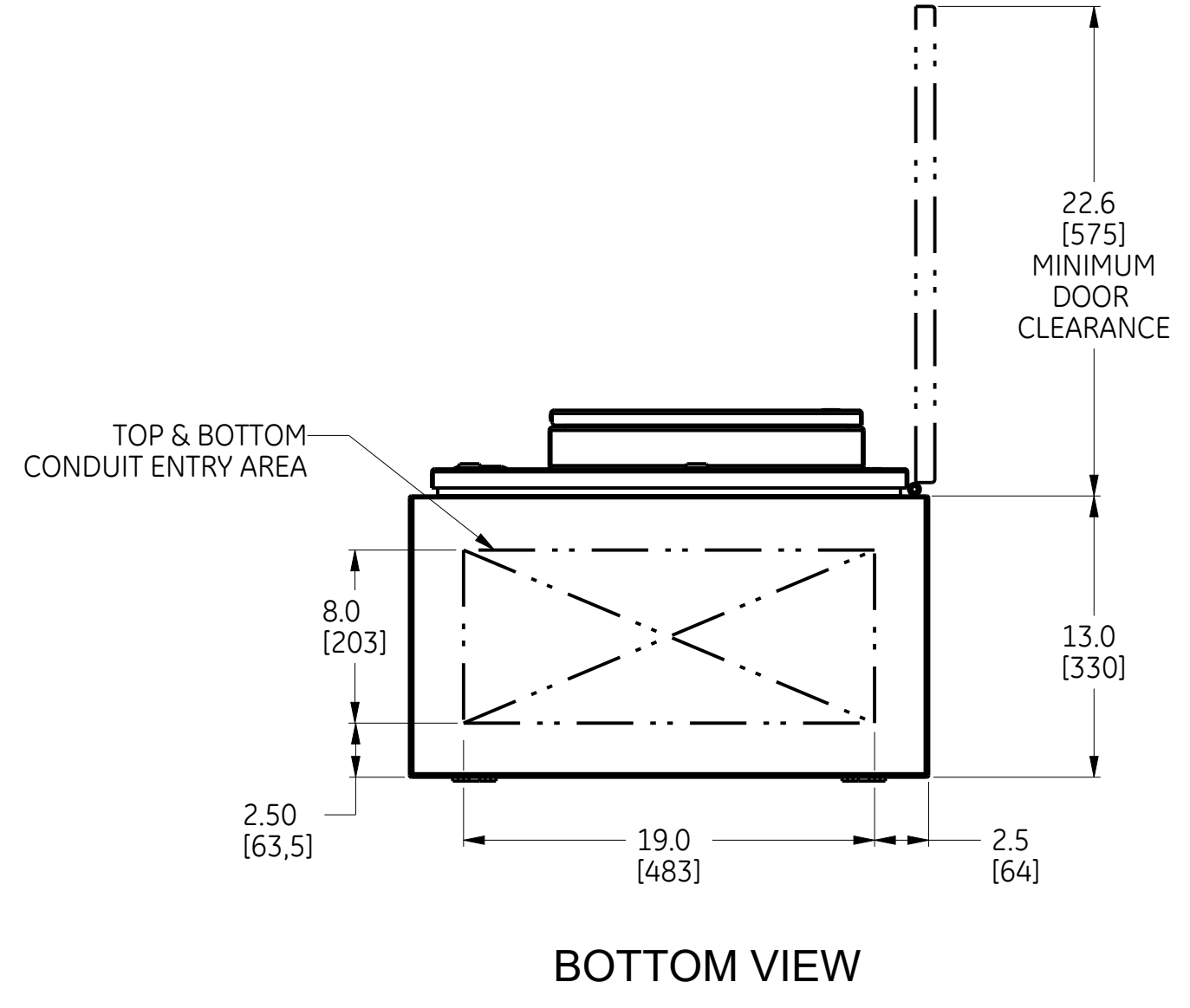
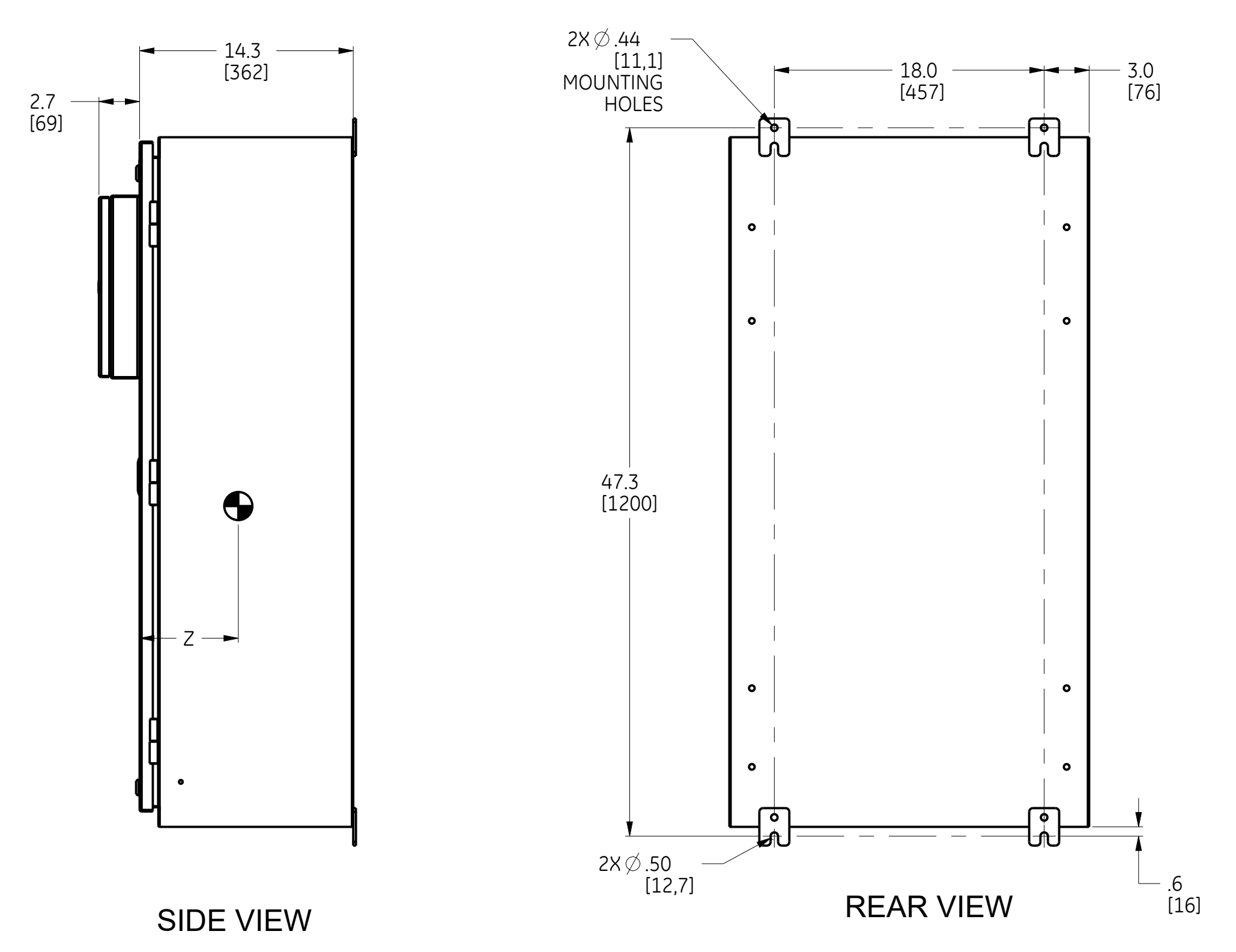
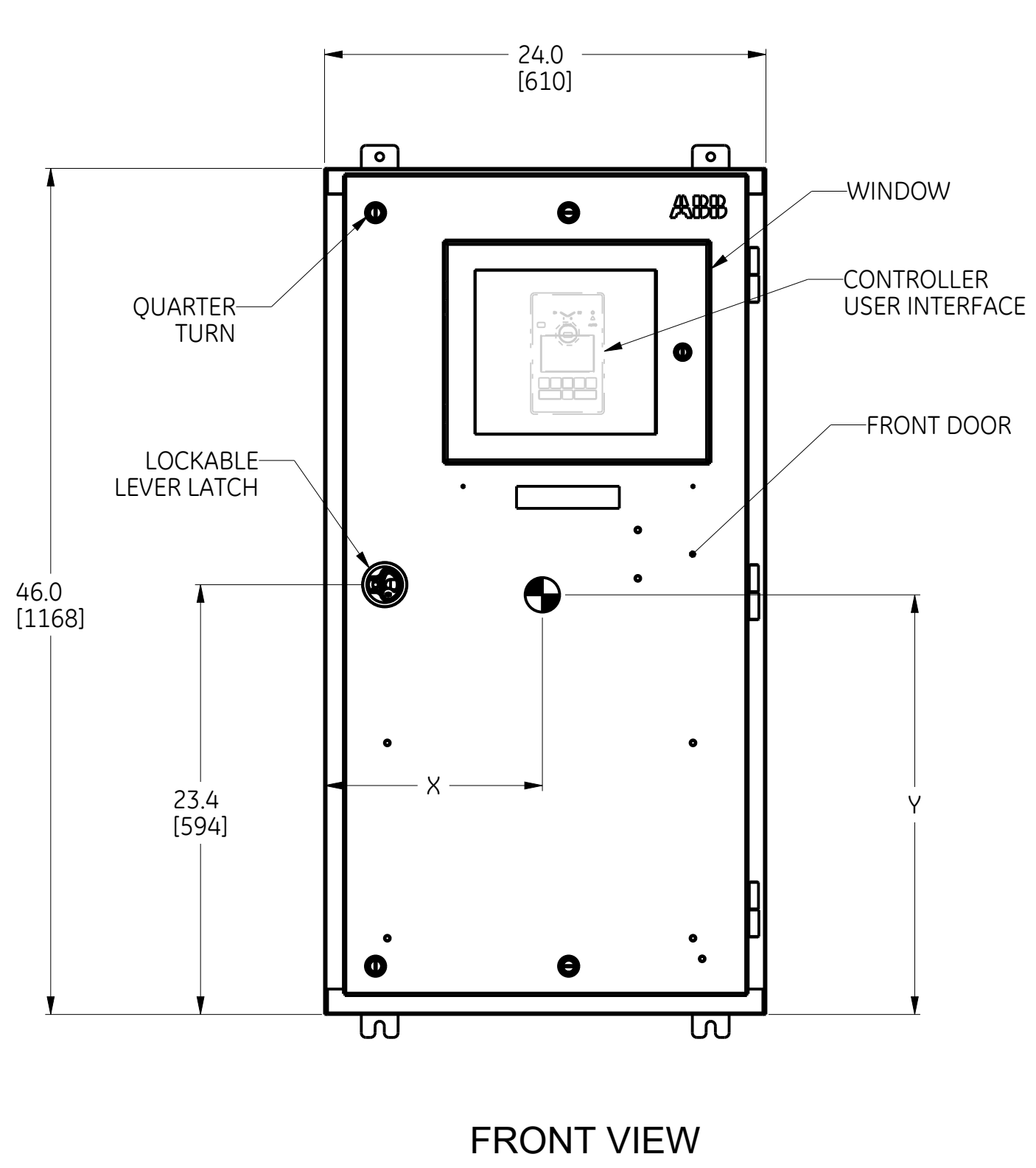
ABB PROPRIETARY AND CONFIDENTIAL INFORMATION
 The information contained in this document has to be kept strictly confidential.
 Any unauthorized use, disclosure, copying, or distribution is strictly forbidden.
 ABB reserves all rights regarding intellectual property rights.
 Copyright © 2018 ABB. All rights reserved.

4 POLE - 400A
 SEE SHEET 3 FOR INSIDE DETAILS



- NOTES**
- ENCLOSURE : NEMA 4X TYPE, FREE STANDING, FLOOR MOUNT.
 - MATERIAL: 12 GA (.1045) 304 SS REF.
 - FINISH : ANSI 61 GREY

2 & 3 POLE - 400A
2, 3 & 4 POLE - 260A
 SEE SHEET 2 FOR INSIDE DETAILS



- NOTES**
- ENCLOSURE : NEMA 4X TYPE, WALL MOUNT.
 - MATERIAL: 14 GA (.0747) 304 SS REF.
 - FINISH : ANSI 61 GREY

- GENERAL NOTES:**
- CONSTRUCTION PER UL 1008 STANDARD.
 - FRONT ACCESSIBLE UNIT. NO SIDE OR REAR ACCESS REQUIRED.
 - SUITABLE WIRE BENDING SPACE PROVIDED PER THE SAFETY AGENCY STANDARDS.
 - UL AND CSA RECOGNIZED/CERTIFIED MECHANICAL LUGS ARE STANDARD.
 - EQUIPMENT GROUND LUG IS PROVIDED IN ALL UNITS. SEE SHEETS 2 AND 3 FOR DETAILS.
 - ALL DIMENSIONS ARE FOR REFERENCE ONLY AND SHOWN IN INCHES(MILLIMETERS).
 - 100% RATED SOLID/SWITCHED NEUTRAL PROVIDED PER THE SWITCH CONFIGURATION.
 - SUITABLE FOR TOP AND/OR BOTTOM CABLE ENTRY.

AMP	POLE	CONTROLLER TYPE	CABINET #	LUG RANGE	WEIGHT	CENTER OF GRAVITY IN(MM)		
					LB(KG)	X	Y	Z
260A	2	SEE TABLE A	F-2013MPX	QTY 1 350 KCML	177(80)	11.5 (292)	23.0 (584)	7.5 (190)
	3				182(82)			
	4				187(85)			
400A	2			QTY 1 600 KCML	185(84)	13.7(348)	28.1(714)	9.7(246)
	3				191(87)			
	4				330(150)			

TABLE A - HMI

TYPE	TRANSITION	LEVEL	PART NO.
ZTX	OPEN	2	OXAMI1-L2
ZTG	OPEN	3	OXAMI1-L3
ZTGD	DELAYED	3	OXBMI1-L3

- SEISMIC NOTES:**
- BOLT ENCLOSURES USING THE FOLLOWING SEISMIC CERTIFIED MOUNTING HARDWARE PER MOUNTING HOLE: (HARDWARE PROVIDED BY INSTALLER).
 *1/2-13 GRADE 5 BOLT TORQUE TO 70 FT-LBS. (95 NEWTON METERS).
 *1/2-13 STANDARD FLAT WASHER.
 *1/2 (13) HELICAL SPRING LOCK WASHER.
 - CENTER OF GRAVITY DIMENSIONS ARE FOR REFERENCE ONLY.
 - FOR WORKING CLEARANCE REFER TO NATIONAL AND LOCAL CODES AND STANDARDS.

Calculated for:	CNF	APPROVED BY:	SR	TITLE:	TruONE LAYOUT, 260A-400A WITH NEMA 4X CABINET		
VOLUME:	0.000 in^3	DATE MODIFIED:	02-May-19 07:38:47 AM	DESIGNED BY:	AP	ROOT NUMBER:	50C-1065
MASS:	0.000 lbm	MATERIAL SPECIFICATION:	---	FINISH SPECIFICATION:	---	UNITS:	in
UNLESS OTHERWISE SPECIFIED	TOLERANCE ON:			SCALE:	1:5	PRODUCT LINE:	ZTX/ZTG(D)
	1 PL DECIMALS ± 0.1					REV:	1
	2 PL DECIMALS ± 0.02					RELEASE STATE:	In Work
	3 PL DECIMALS ± 0.005					SHEET:	1 of 3
	ANGLE ± 1.0						

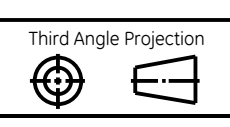
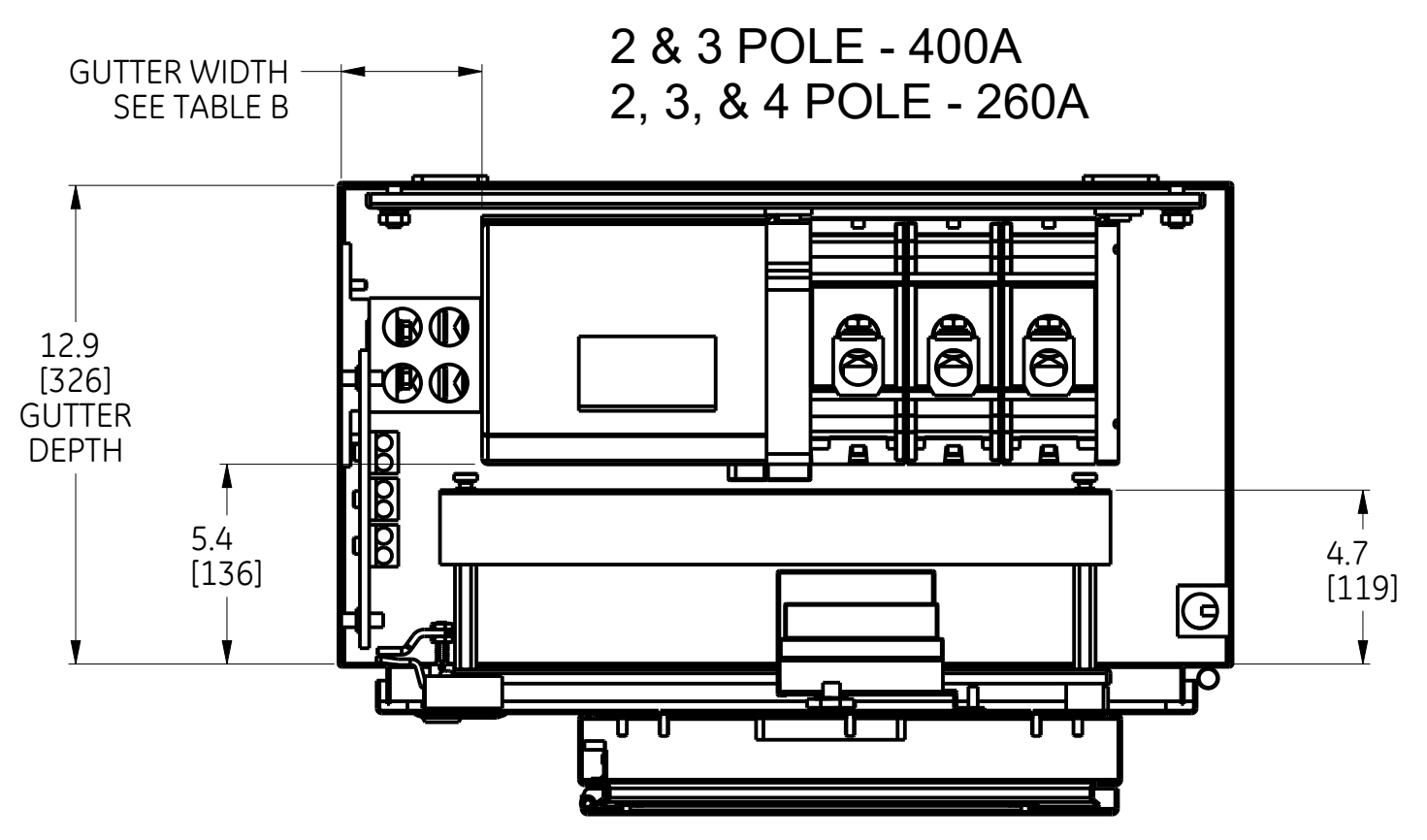
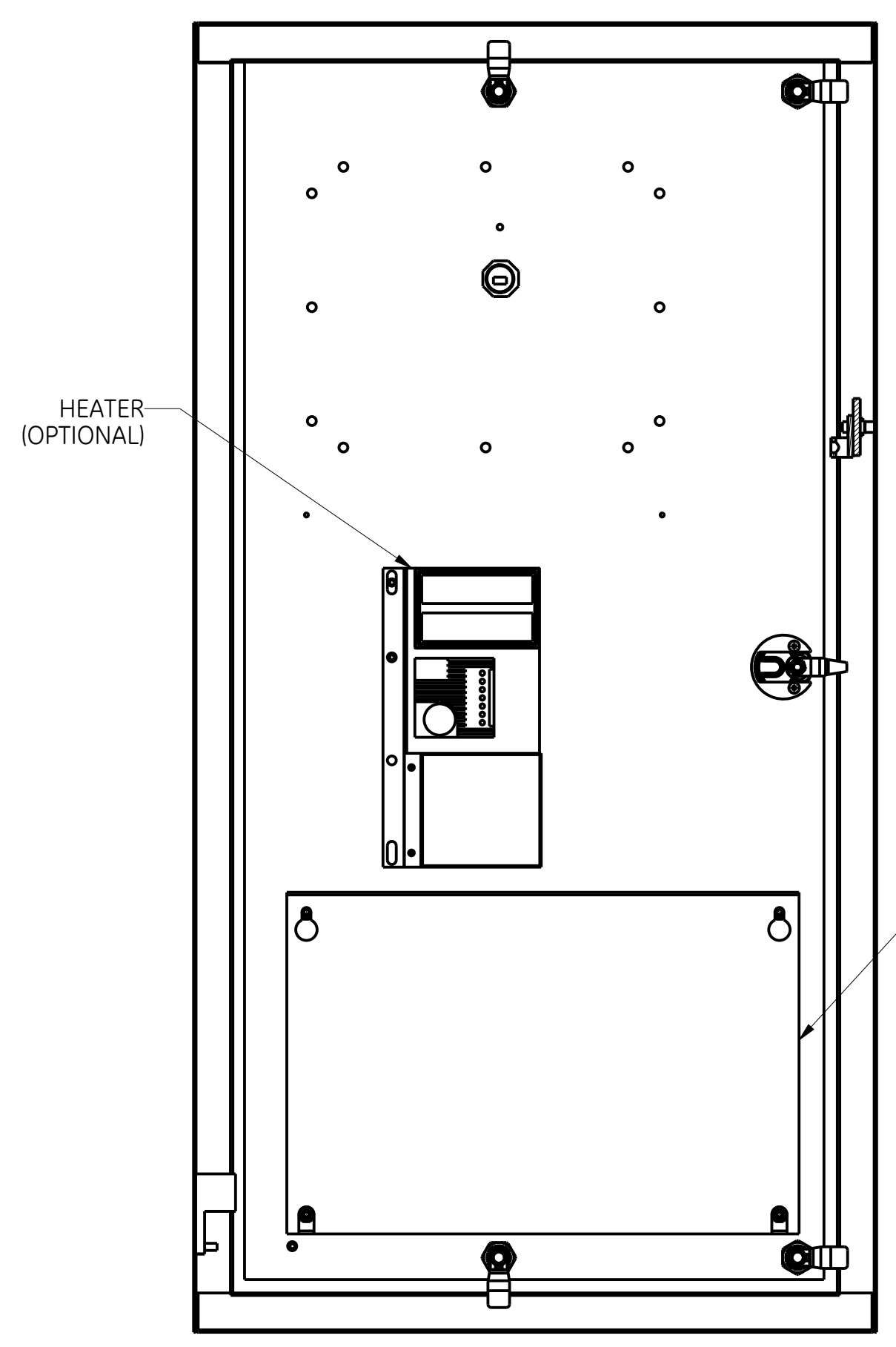


TABLE B - GUTTER WIDTH

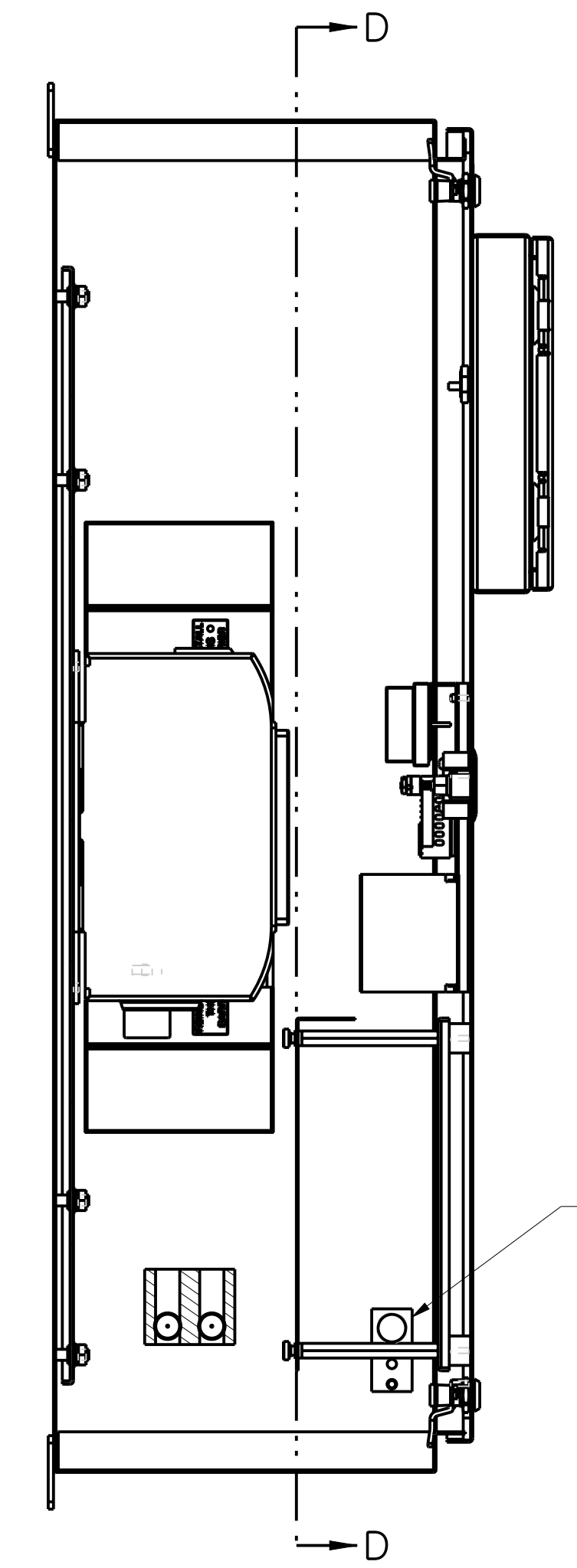
	POLES	
260A	4	3.4 (86)
400A	3	3.7 (94)



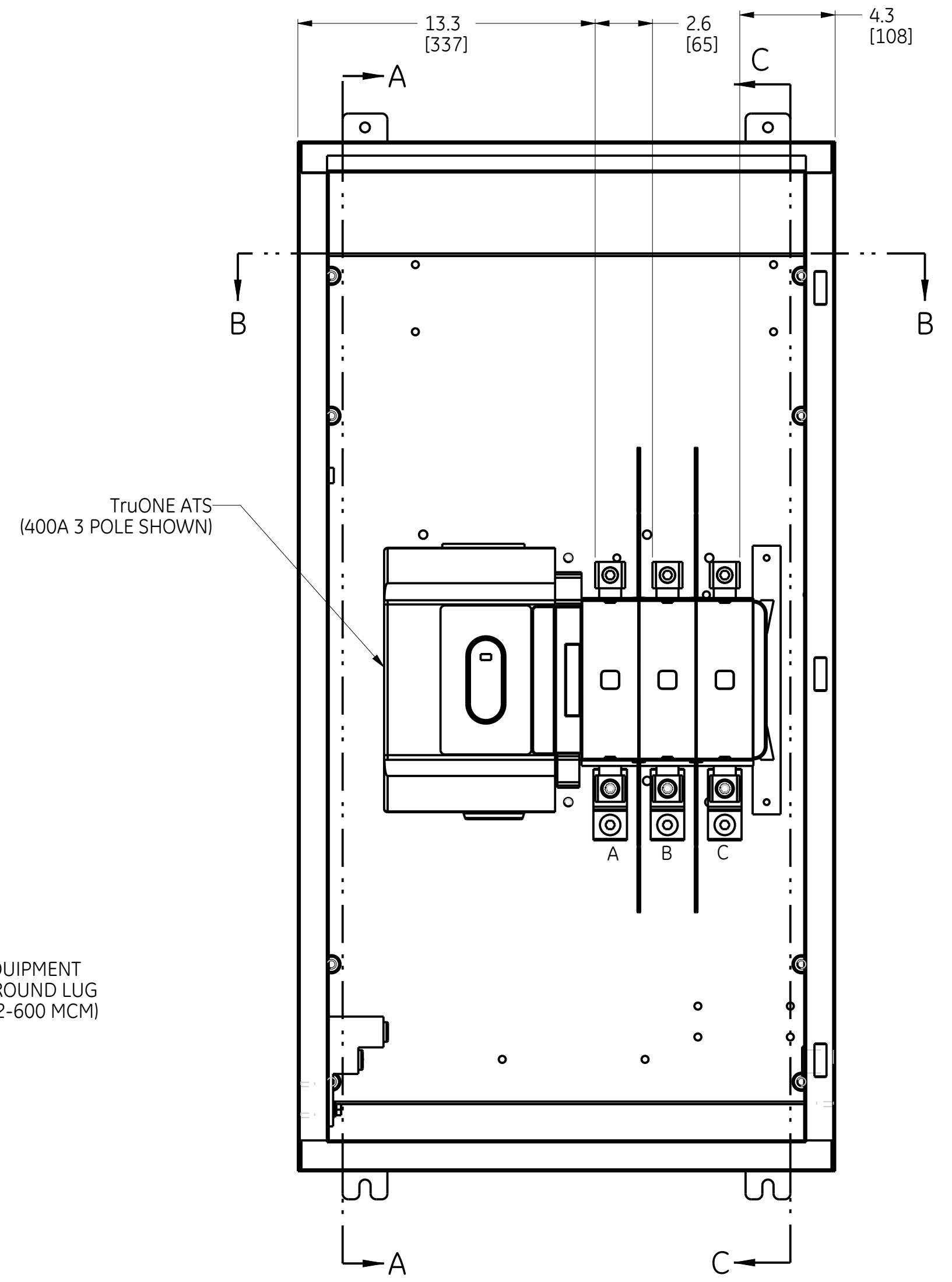
SECTION B-B
TOP VIEW
WITHOUT TOP PANEL



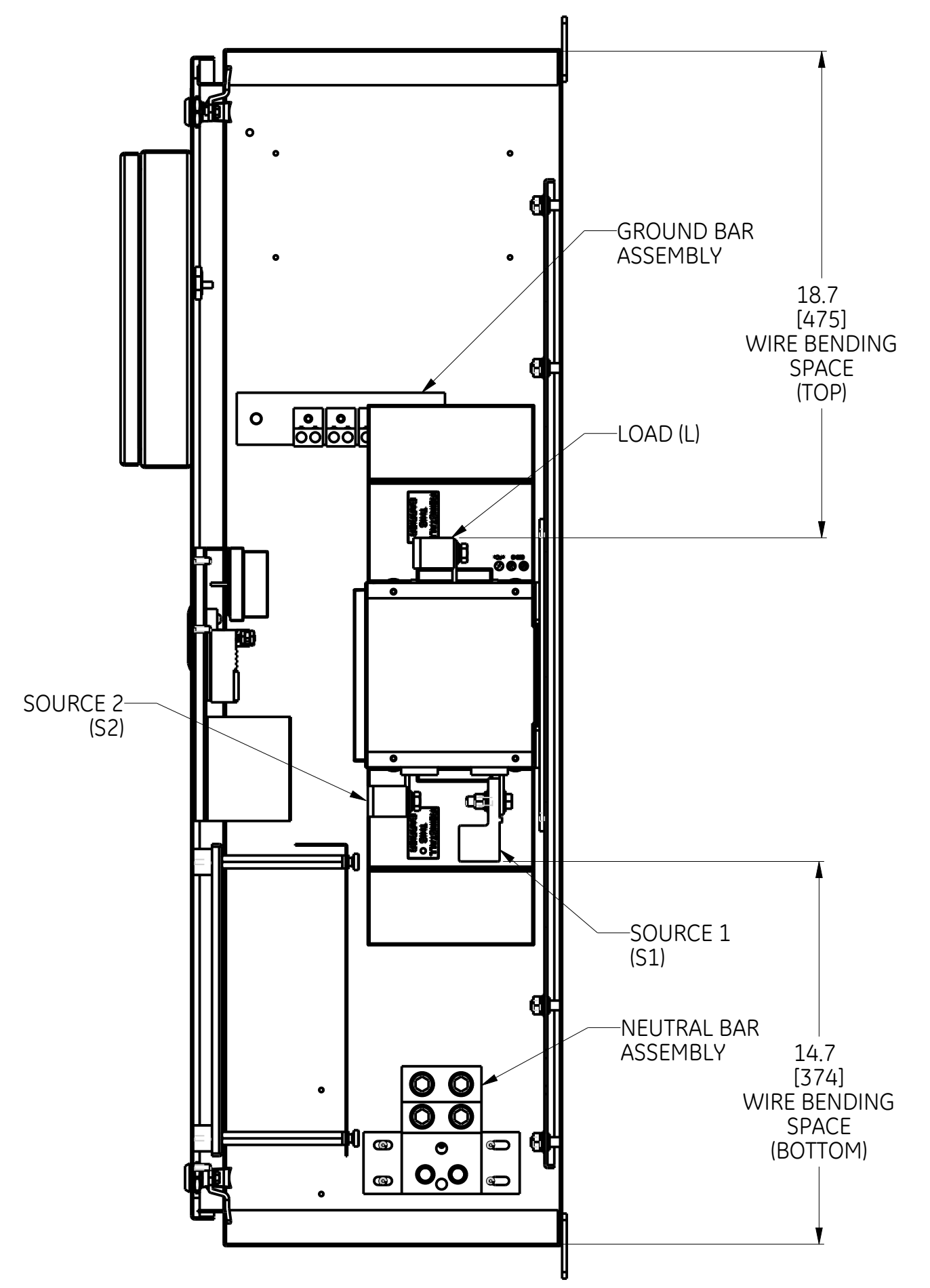
SECTION D-D
DOOR INSIDE VIEW



SECTION A-A
LEFT VIEW
WITHOUT SIDE PANEL



FRONT VIEW
WITHOUT DOOR



SECTION C-C
RIGHT SIDE VIEW
WITHOUT SIDE PANEL

NOTE:
1. REFER TO SHEET (1) FOR COMPLETE NOTE DETAILS
2. MECHANICAL LUGS SHOWN IN ABOVE VIEWS ARE FOR REFERENCE ONLY.

ABB PROPRIETARY AND CONFIDENTIAL INFORMATION
The information contained in this document has to be kept strictly confidential. Any unauthorized use, reproduction, distribution or disclosure to third parties is strictly forbidden. All rights reserved. © 2018 ABB.

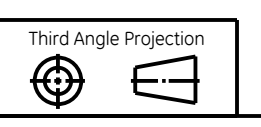
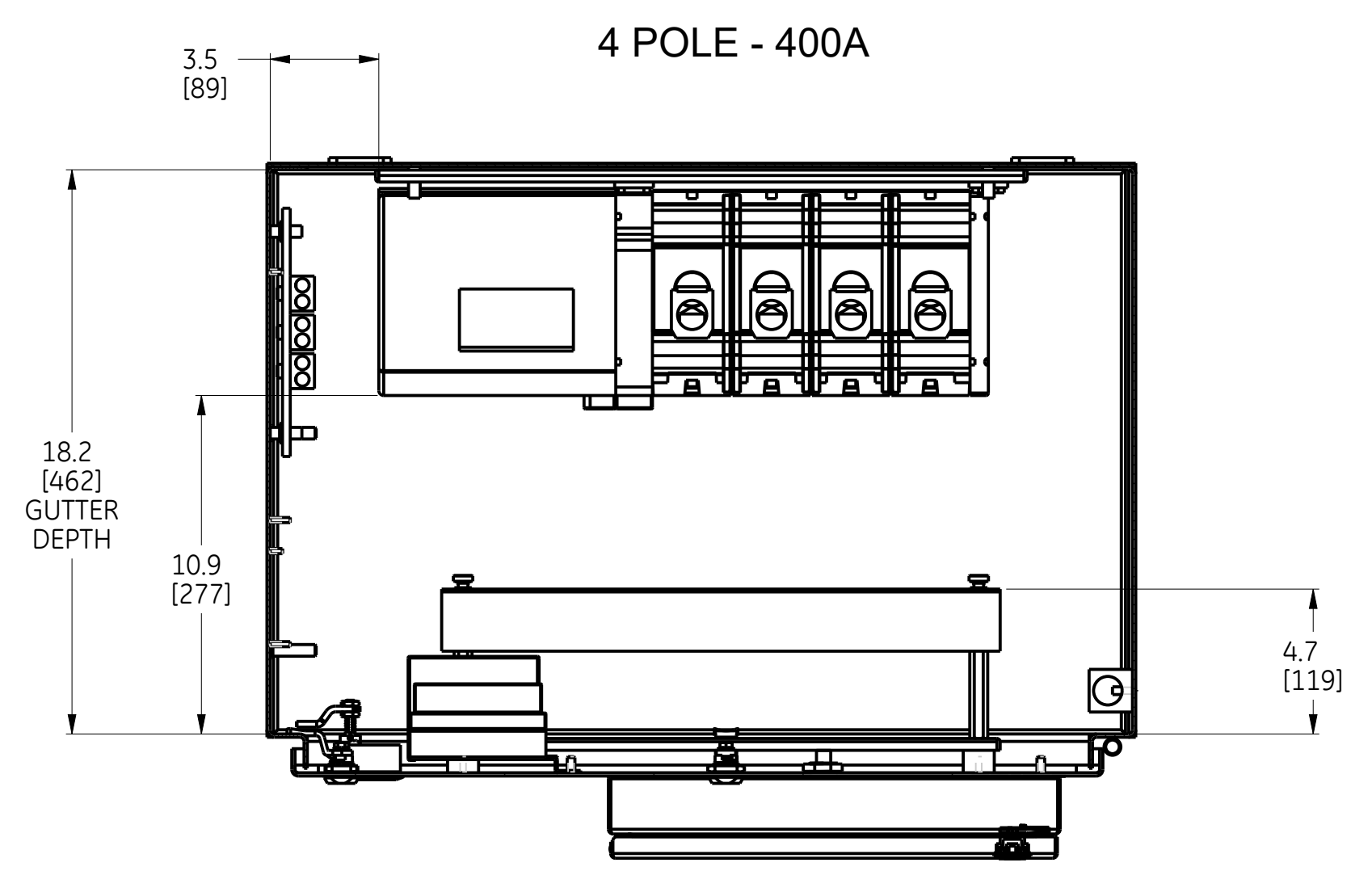
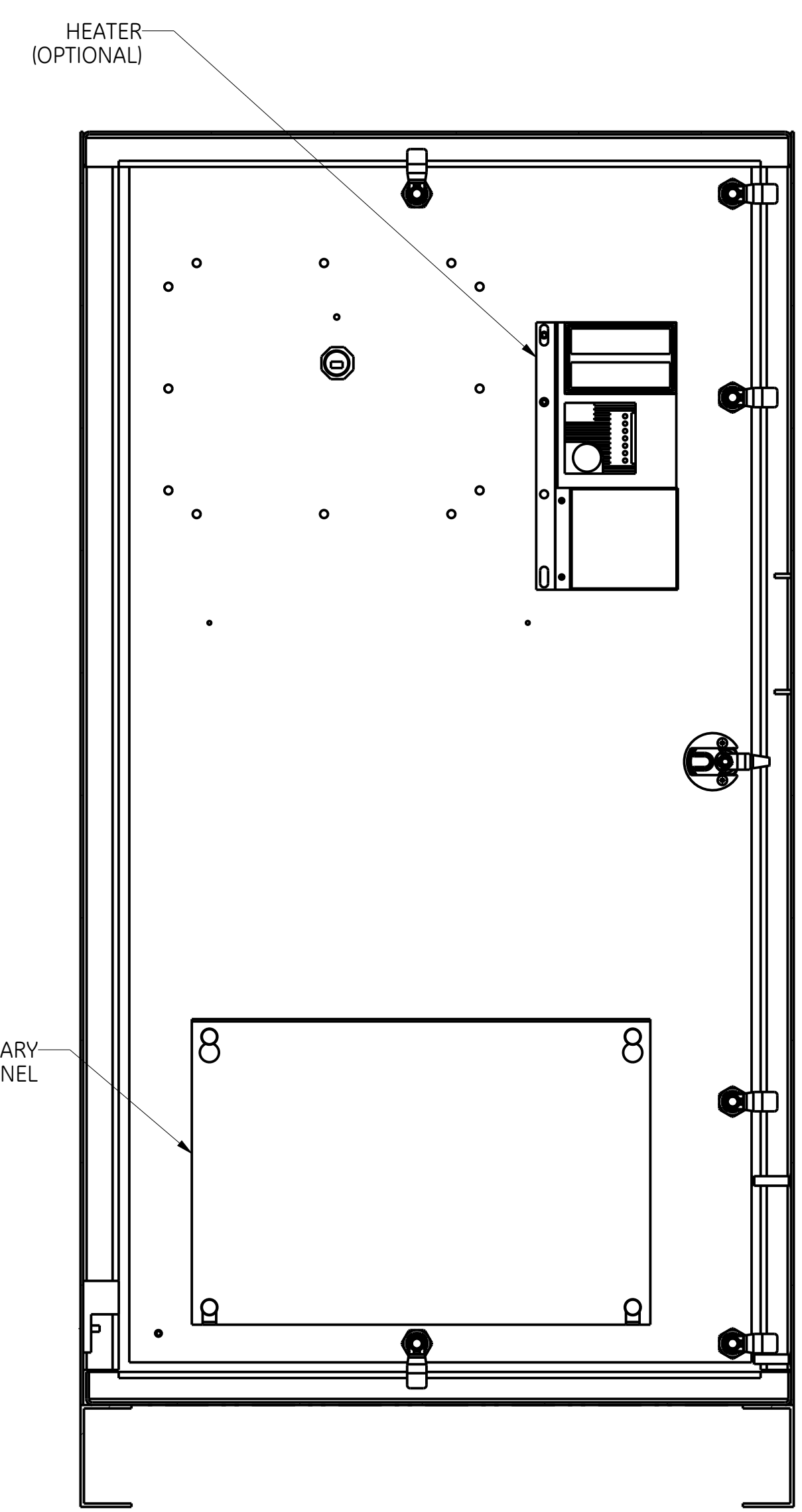


ABB		
SIZE	NUMBER	REV
D	50C-1065	1
SCALE	PRODUCT LINE	SHEET
1:5	ZTX/ZTG(D)	2 of 3

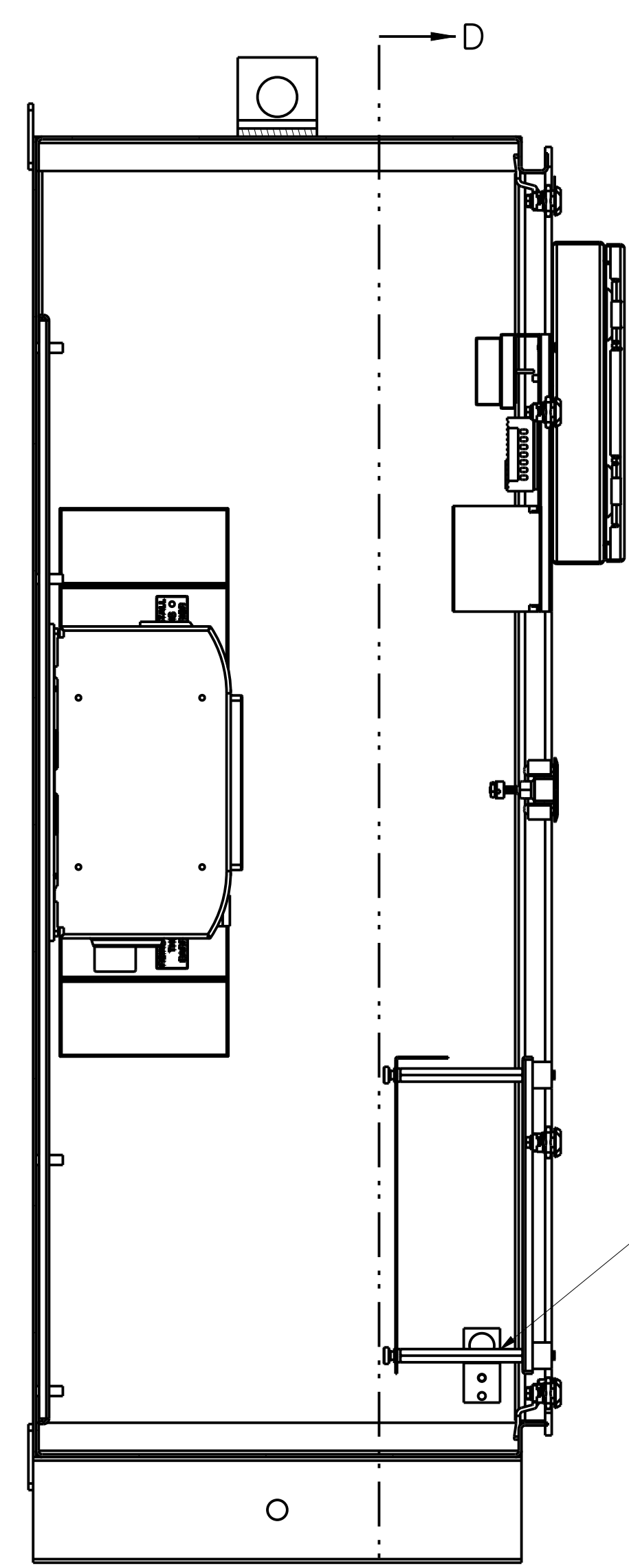
38 37 36 35 34 33 32 31



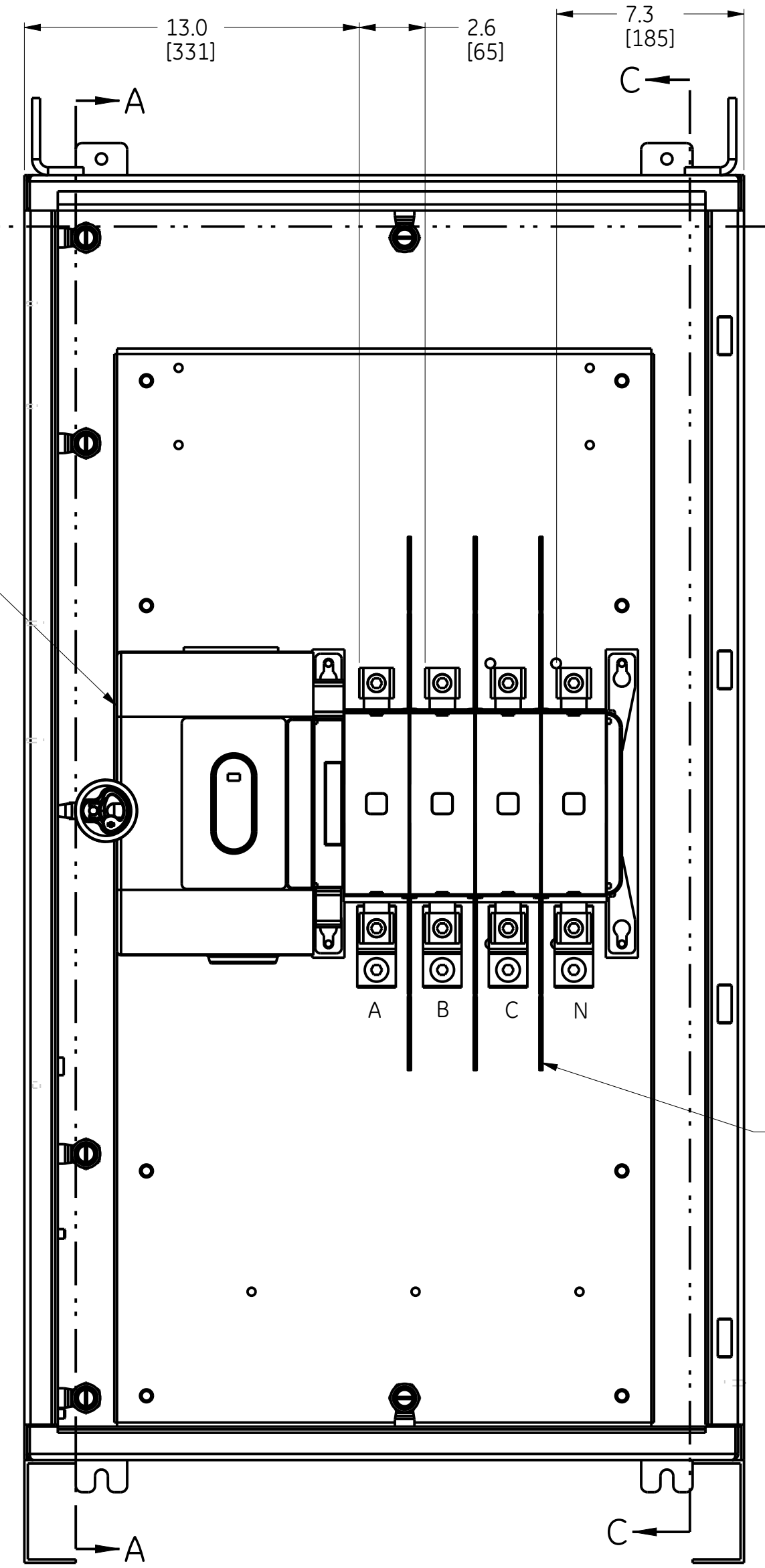
SECTION B-B
TOP VIEW
WITHOUT TOP PANEL



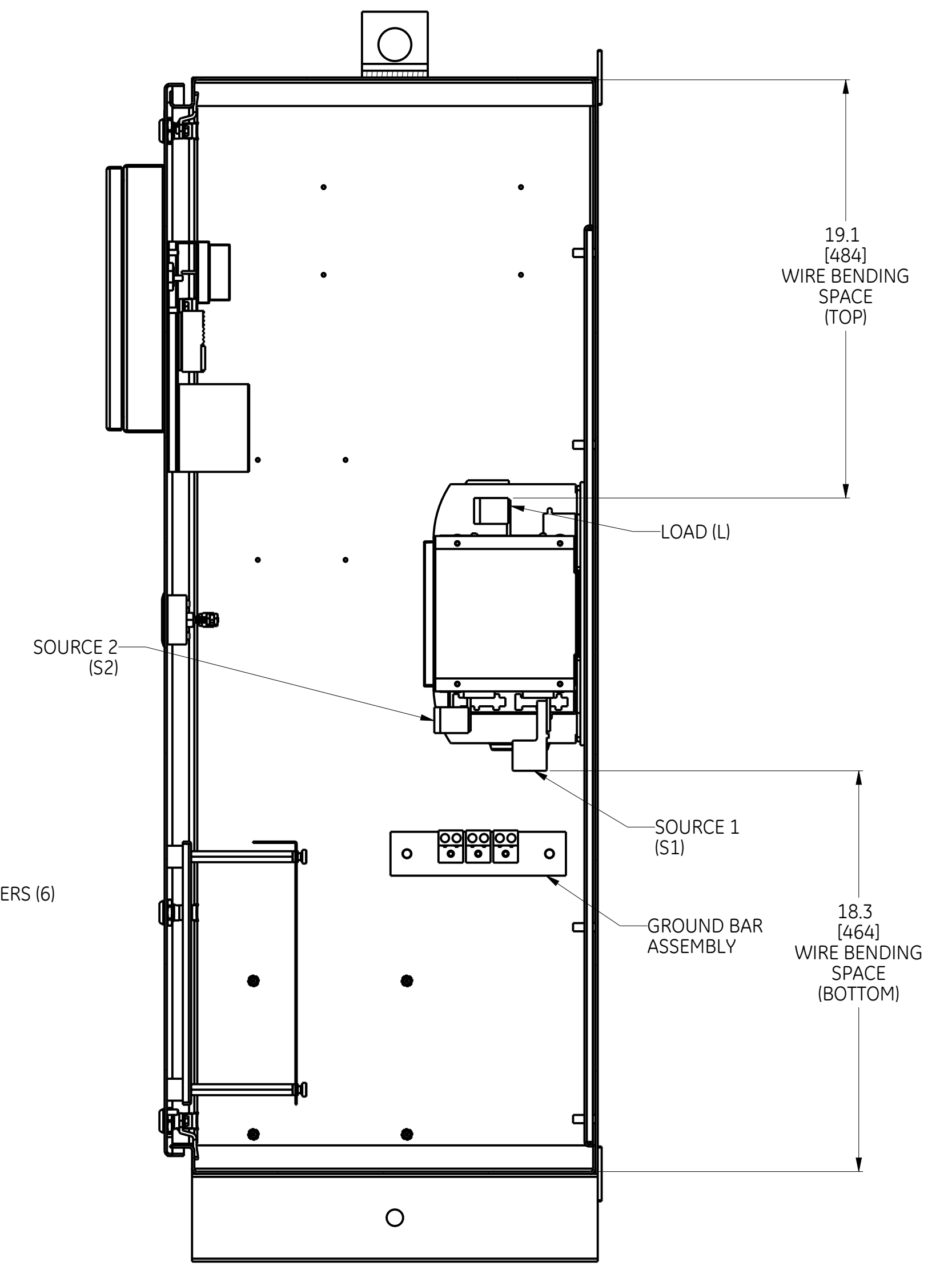
SECTION D-D
DOOR INSIDE VIEW



SECTION A-A
LEFT VIEW
WITHOUT SIDE PANEL

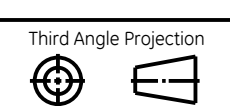


FRONT VIEW
WITHOUT DOOR



SECTION C-C
LEFT SIDE
WITHOUT SIDE PANEL
AND PHASE BARRIERS

ABB PROPRIETARY AND CONFIDENTIAL INFORMATION
The information contained in this document has to be kept strictly confidential.
Any unauthorized use, reproduction, distribution or disclosure to third parties is strictly forbidden.
Copyright © 2018 ABB. All rights reserved.



NOTE:
1. REFER TO SHEET (1) FOR COMPLETE NOTE DETAILS
2. MECHANICAL LUGS SHOWN IN ABOVE VIEWS ARE FOR REFERENCE ONLY.

ABB		
SIZE	NUMBER	REV
D	50C-1065	1
SCALE	PRODUCT LINE	SHEET
1:5	ZTX/ZTG(D)	3 of 3

38 37 36 35 34 33 32 31