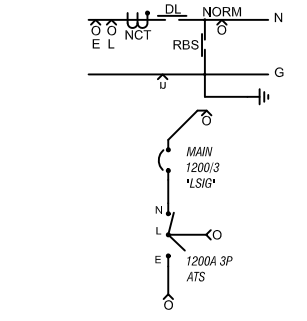
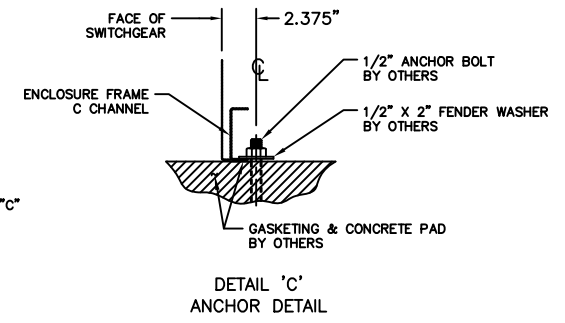
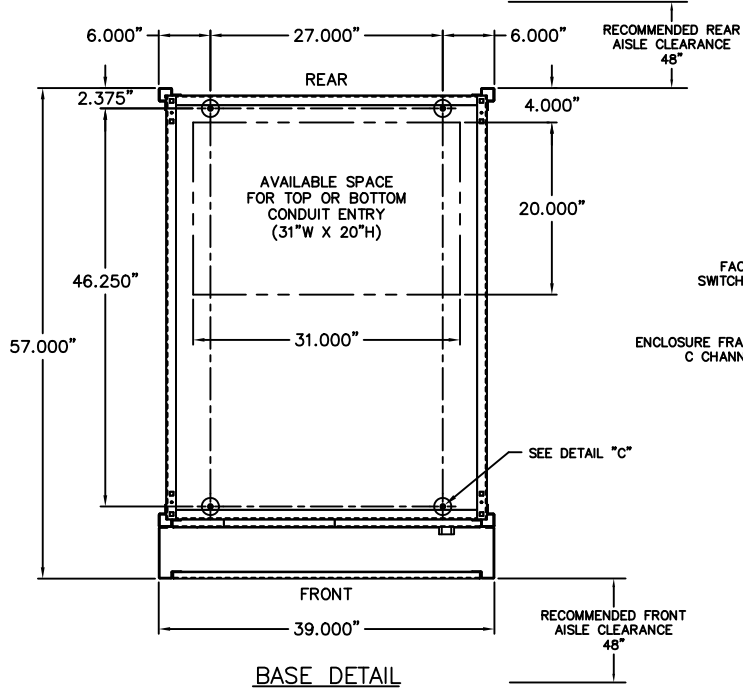
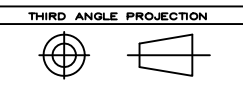
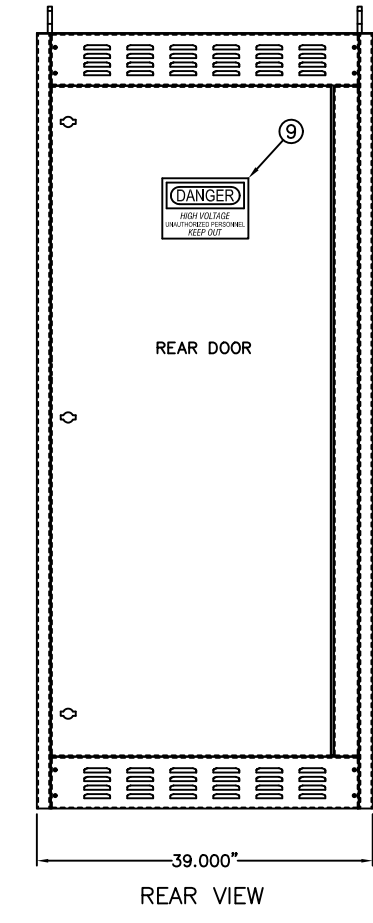
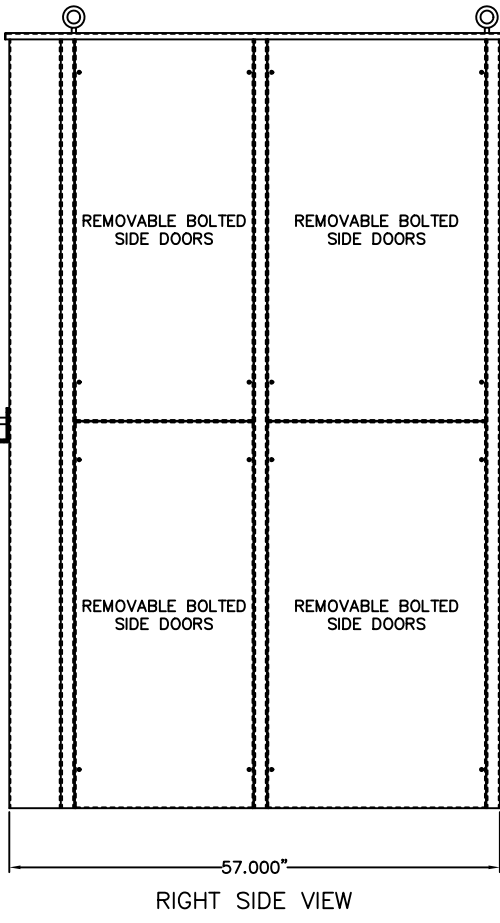
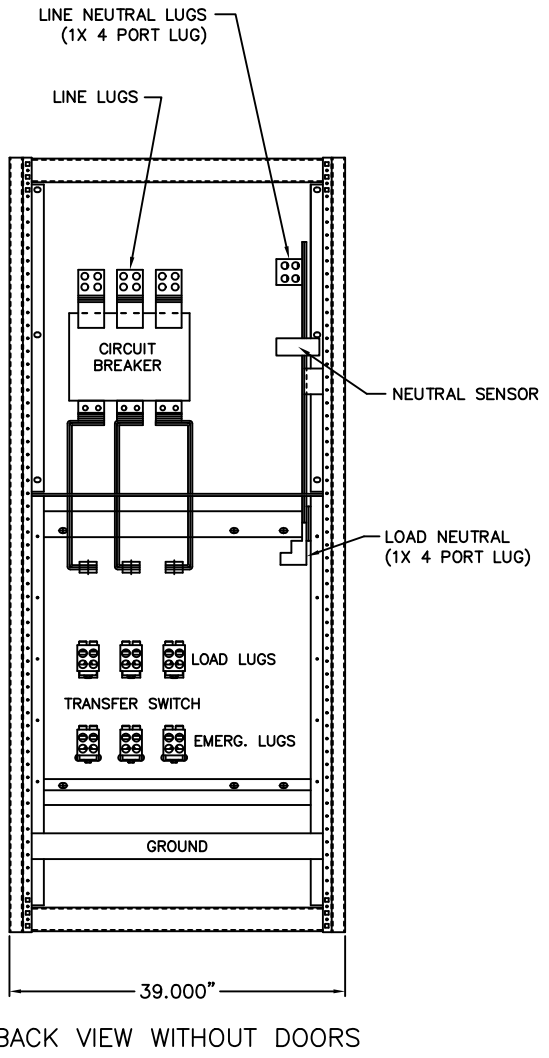
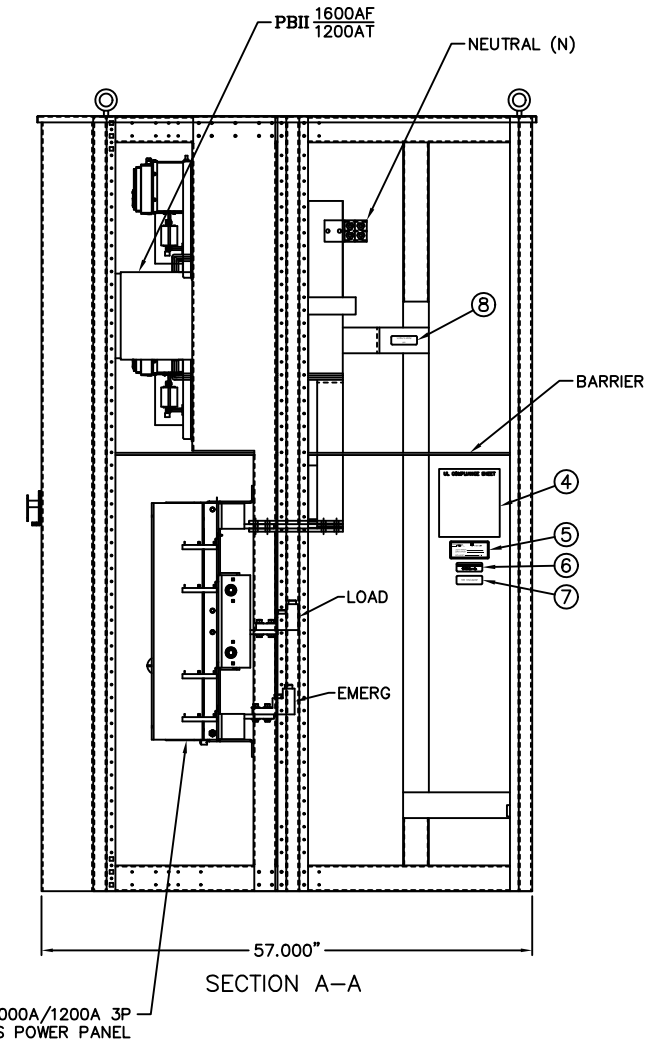
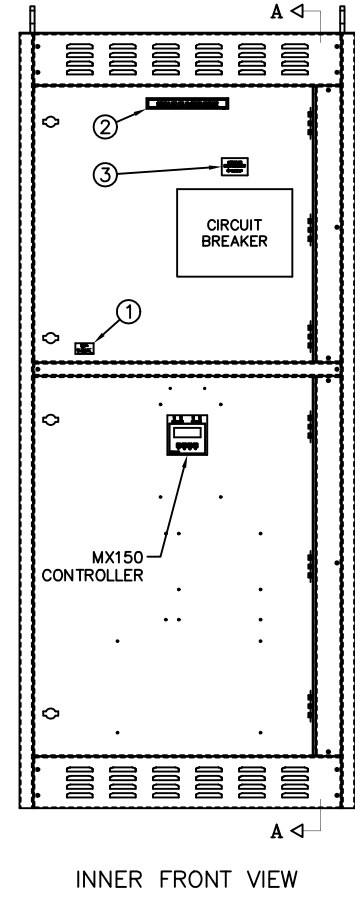
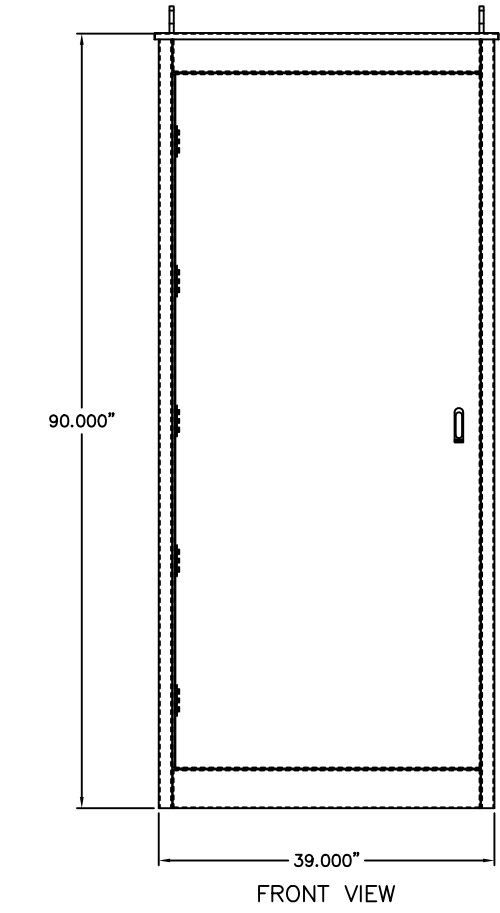


REVISIONS			
REV.	DESCRIPTION	DATE	APPROVED
A	S-8949 ESTABLISH DRAWING	3/18/10	YP MAS



**SYMBOL LEGEND**  
 O & u = MECH. LUGS (SEE TABLE FOR DETAILS)  
 NCT = NEUTRAL CURRENT SENSOR  
 RBS = REMOVABLE GROUND STRAP  
 DL = NEUTRAL DISCONNECT LINK  
 N = NORMAL  
 E = EMERGENCY  
 L = LOAD

NOTES:		
SYSTEM RATING: 50KA		
ENCLOSURE:	NEMA 3R TYPE	<b>LABELS</b>
INSTALLATION:	FLOOR MOUNTED	1. UL891 (ON INNER SIDE OF DOOR)
FINISH:	ANSI 61 GRAY	2. SUITABLE FOR AS SEVICE ENTRANCE
ACCESS:	REAR & SIDES	3. SERVICE DISCONNECT
<b>COMPONENTS RATING AND SPECIFICATIONS (ATS):</b>		
SERVICE ENTRANCE:	1000-1200A, 3 POLE UNIT, FULLY RATED	4. UL COMPLIANCE SHEET
SHORT CIRCUIT WITHSTAND AND CLOSING RATING (UL)	50ka @ 480V	5. SECTION AMPACITY
<b>CIRCUIT BREAKER:</b>		
GE PBII-ICCB, MICRO-VERSA TRIP PLUS, LSIG TRIP UNIT		
MOUNT TYPE:	STATIONARY	6. 500-1000 MCM TORQUE
SIZE:	1600AF/1200AT-1000AT	7. NEMA 3R ENCLOSURE
SHORT CIRCUIT INTERRUPT RATING	65kAIC @ 480V	8. NEUTRAL TO GROUND LINK
U.L. LABEL	891	9. HIGH VOLTAGE DANGER
<b>BUS:</b>		
MATERIAL:	COPPER 1000A/in (2-1/4" X 3" PHASE/NEUTRAL)	
	(1-1/4" X 2" GROUND BUS)	
FINISH:	SILVER PLATED	
<b>CABLE:</b>		
52-N	(4)-600Kcmil PER PHASE & NEUTRAL	
LOAD	(4)-600Kcmil PER PHASE & NEUTRAL	
EMERGENCY	(4)-600Kcmil PER PHASE & NEUTRAL	
GROUND	SPCAE FOR UP TO (12)-1/0-250Kcmil LUG	



GE PROPRIETARY AND CONFIDENTIAL INFORMATION  
 This document is the property of General Electric Company ("GE") and contains proprietary information of GE. This document is loaned on the express condition that neither it nor the information contained therein shall be disclosed to others without the express written consent of GE Industrial Systems, and that the information shall be used by the recipient only as approved expressly by GE Industrial Systems. This document shall be returned to GE upon its request. This document may be subject to certain restrictions under U.S. export control laws and regulations.

FOR ADDITIONAL INFO REFER TO	SIGNATURES	DATE	
APPLIED PRACTICES	MODEL MRR	3/18/10	
UNLESS OTHERWISE SPECIFIED DIMENSIONS ARE IN INCHES	DETAIL		TITLE
TOLERANCES ON:	CHECKED		1000A/1200A SERVICE ENTRANCE (3P-N3R)
2 PL. DECIMALS ± .020	ENGRG YP	3/18/10	OUTLINE DRAWING
3 PL. DECIMALS ± .005	MFG		FIRST MADE FOR: ZTGSE12(3P-N3R)
ANGLES ± 1°	QUALITY		SIZE CAGE CODE DWG NO
FRACTIONS ± 1/64	ISSUED		D 50C-4222
FINISH ✓	DRAWING FILE: 50c-4222-a-1		# CTQs
	MODEL / ASSEMBLY FILE:		CRITICAL TO QUALITY CHARACTERISTIC
AutoCad Generated	# CTQs		SCALE: NONE SHEET 1 of 1