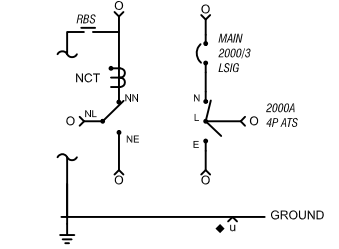
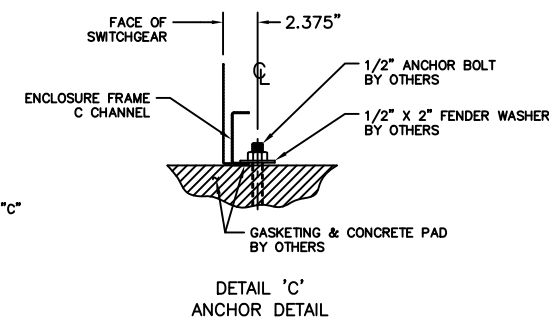
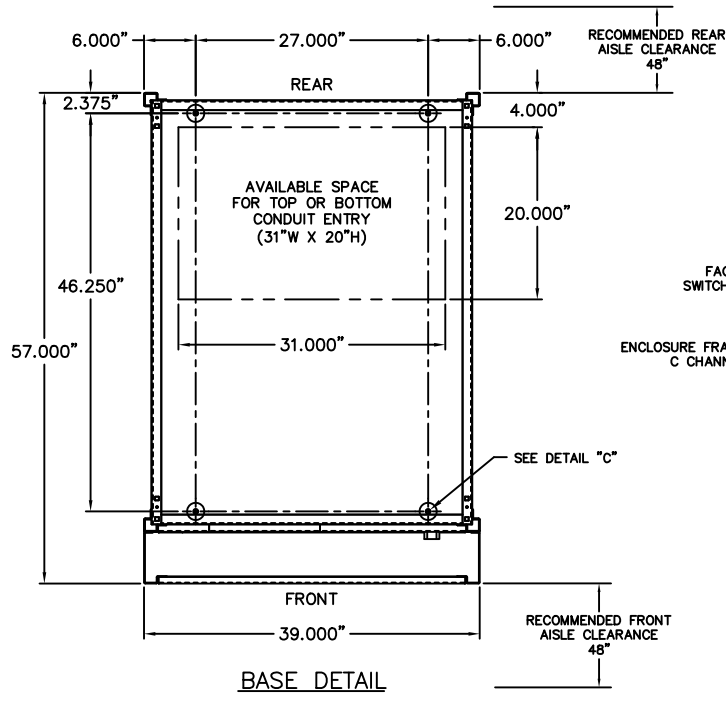
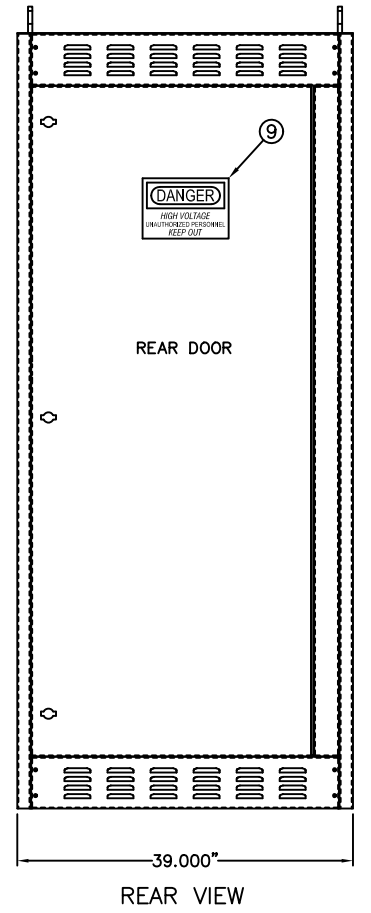
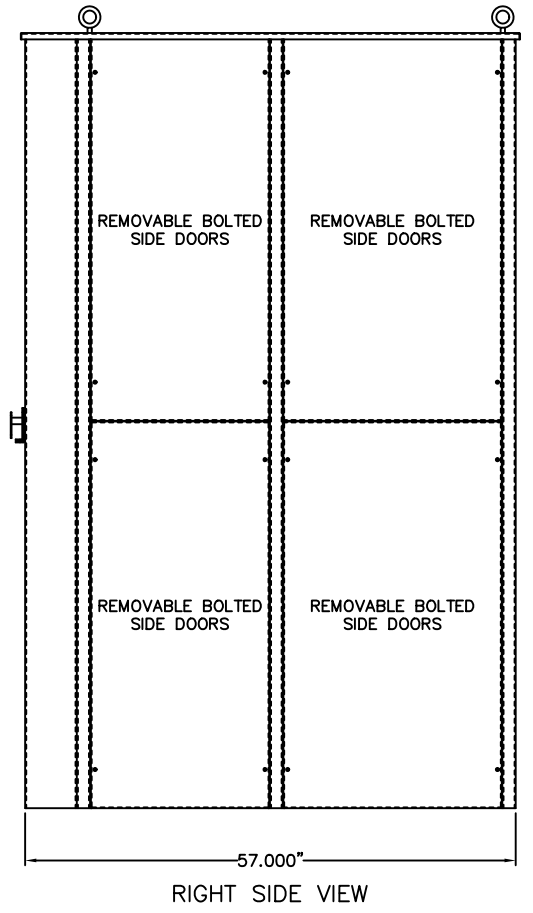
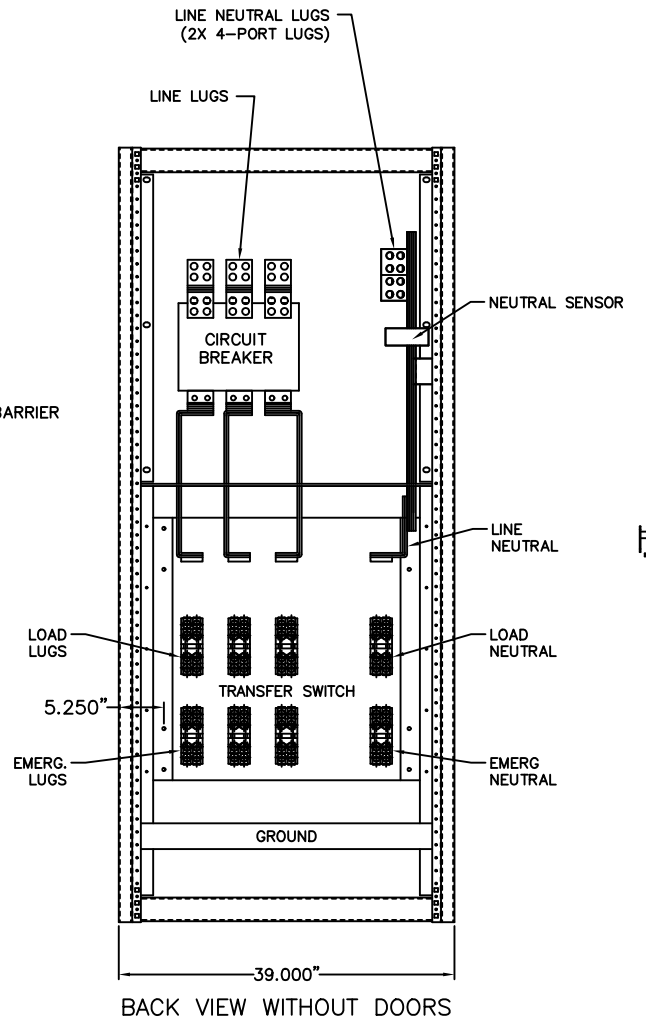
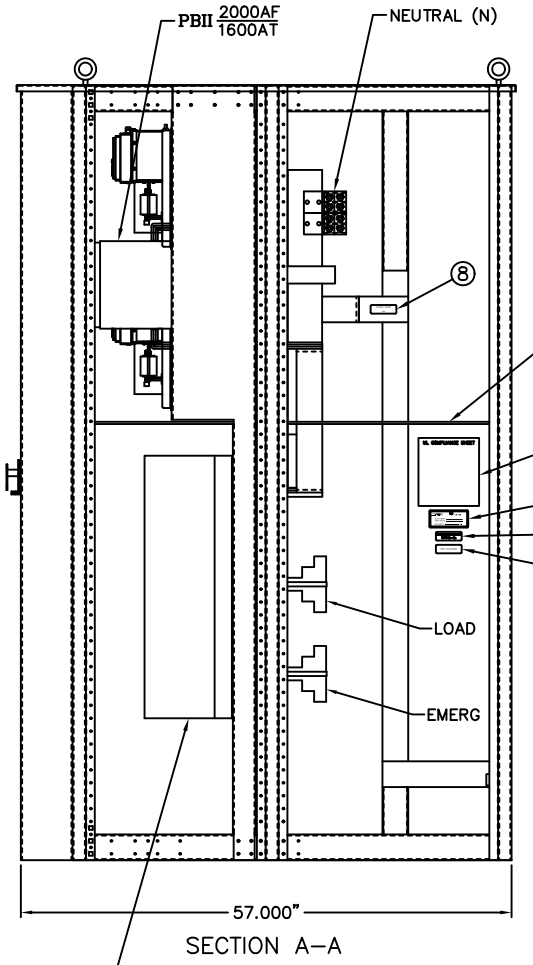
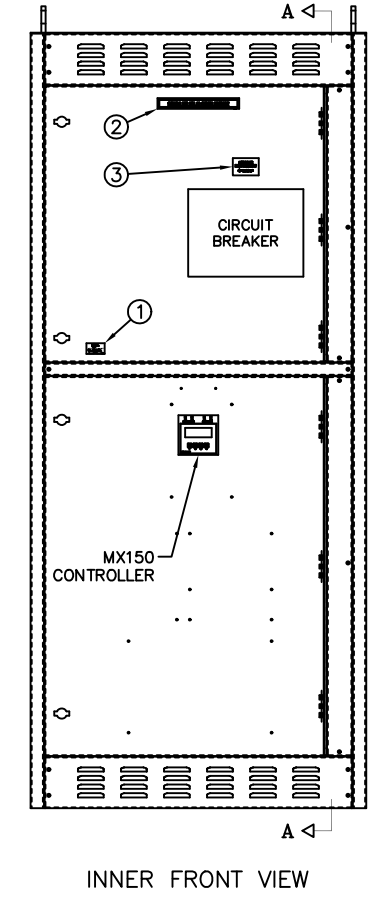
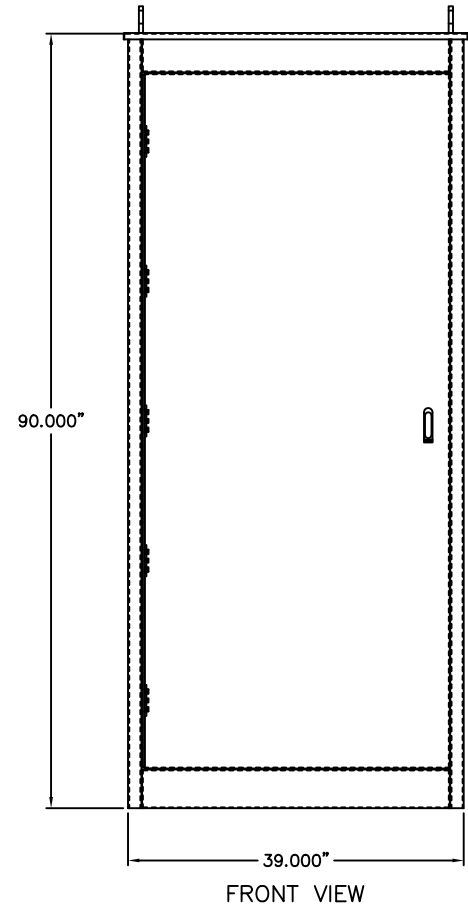


REVISIONS			
REV.	DESCRIPTION	DATE	APPROVED
A	S-8949 ESTABLISH DRAWING	3/19/10	YP MAS



**SYMBOL LEGEND**  
 O & u = MECH. LUGS (SEE TABLE FOR DETAILS)  
 NCT = NEUTRAL CURRENT SENSOR  
 RBS = REMOVABLE GROUND STRAP  
 DL = NEUTRAL DISCONNECT LINK  
 N = NORMAL  
 E = EMERGENCY  
 L = LOAD

NOTES		
SYSTEM RATING: 65KA		
ENCLOSURE:	NEMA 3R TYPE	<b>LABELS</b>
INSTALLATION:	FLOOR MOUNTED	1. UL891 (ON INNER SIDE OF DOOR)
FINISH:	ANSI 61 GRAY	2. SUITABLE FOR AS SEVICE ENTRANCE
ACCESS:	REAR & SIDES	3. SERVICE DISCONNECT
<b>COMPONENTS RATING AND SPECIFICATIONS (ATS):</b>		4. UL COMPLIANCE SHEET
SERVICE ENTRANCE:	1600-2000A, 4 POLE UNIT, FULLY RATED	5. SECTION AMPACITY
SHORT CIRCUIT WITHSTAND AND CLOSING RATING (UL)	100KA @ 480V	6. 500-1000 MCM TORQUE
<b>CIRCUIT BREAKER:</b>		7. TYPE 1 ENCLOSURE
GE PBII-ICCB, MICRO-VERSA TRIP PLUS, LSIG TRIP UNIT		8. NEUTRAL TO GROUND LINK
MOUNT TYPE:	STATIONARY	9. HIGH VOLTAGE DANGER
SIZE:	2000AF/2000AT-1600AT	
SHORT CIRCUIT INTERRUPT RATING	65KAIC @ 480V	
U.L. LABEL	891	
"SUITABLE TO USE AS SERVICE ENTRANCE EQUIPMENT"		
<b>BUS:</b>		
MATERIAL:	COPPER 1000A/in (2-1/4" X 4" PHASE/NEUTRAL)	
	(1-1/4" X 2" GROUND BUS)	
FINISH:	SILVER PLATED	
<b>CABLE:</b>		
52-N	(8)-600Kcmil PER PHASE & NEUTRAL	
LOAD	(8)-600Kcmil PER PHASE & NEUTRAL	
EMERGENCY	(8)-600Kcmil PER PHASE & NEUTRAL	
GROUND	SPACE FOR UP TO (24)-1/0-250Kcmil LUG	



1600A/2000A 4P  
ATS POWER PANEL

FOR ADDITIONAL INFO REFER TO	SIGNATURES	DATE	
APPLIED PRACTICES	MODEL MRR	3/19/10	
UNLESS OTHERWISE SPECIFIED DIMENSIONS ARE IN INCHES	DETAIL		TITLE
TOLERANCES ON:	CHECKED		1600A/2000A SERVICE ENTRANCE (4P-N3R)
2 PL. DECIMALS ± .020	ENGRG YP	3/19/10	OUTLINE DRAWING
3 PL. DECIMALS ± .005	MFG		FIRST MADE FOR: ZTGSE20(4P-N3R)
ANGLES ± 1°	QUALITY		SIZE CAGE CODE DWG NO
FRACTIONS ± 1/64	ISSUED		D 50C-4227
FINISH ✓	DRAWING FILE: 50c-4227-a-1		# CTQs
	MODEL / ASSEMBLY FILE:		CRITICAL TO QUALITY CHARACTERISTIC
	AutoCad Generated		SCALE: NONE
			SHEET 1 of 1

GE PROPRIETARY AND CONFIDENTIAL INFORMATION  
 This document is the property of General Electric Company ("GE") and contains proprietary information of GE. This document is loaned on the express condition that neither it nor the information contained therein shall be disclosed to others without the express written consent of GE Industrial Systems, and that the information shall be returned to GE upon its request. This document may be subject to certain restrictions under U.S. export control laws and regulations.

