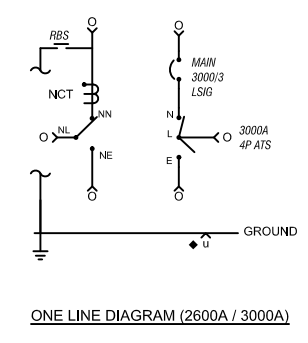
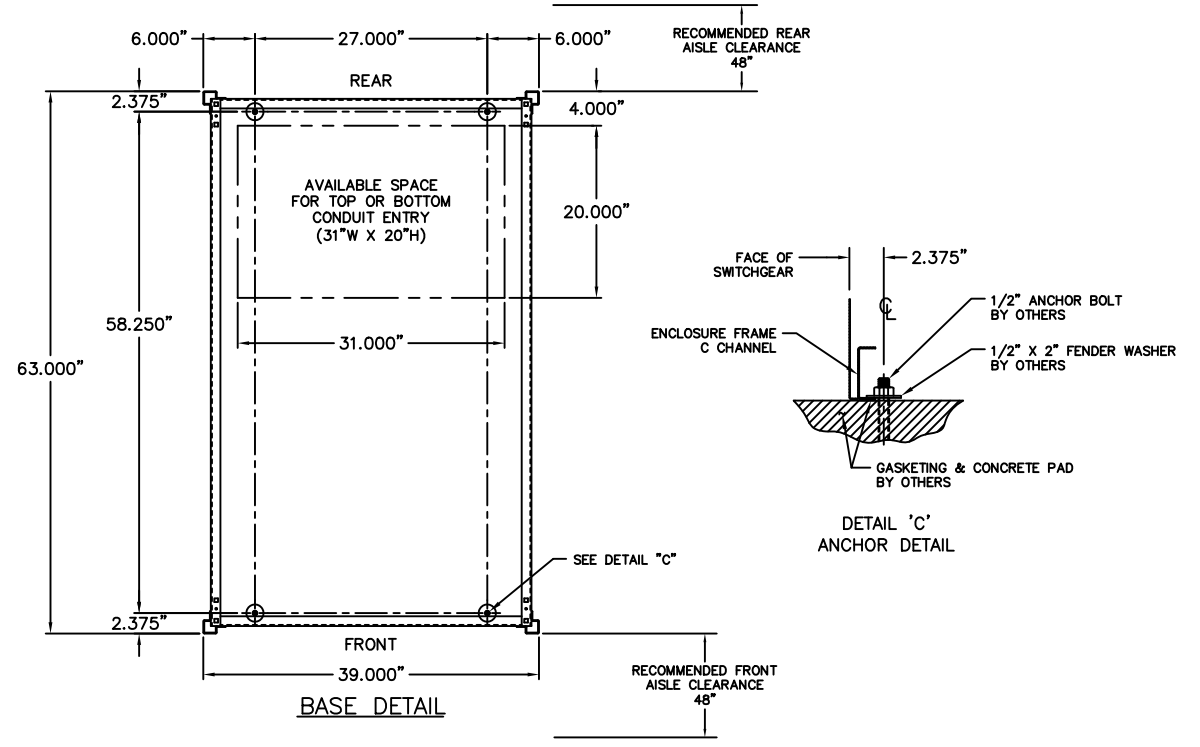
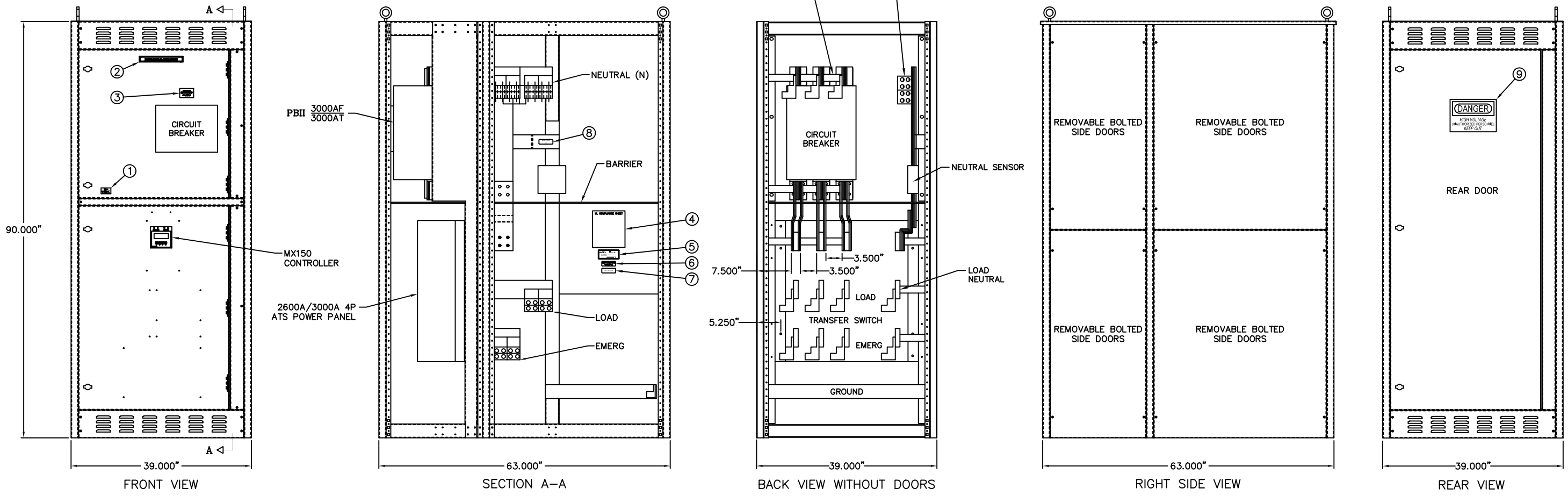


REV.	DESCRIPTION	DATE	APPROVED
A	S-8949 ESTABLISH DRAWING	3/19/10	YP MAS



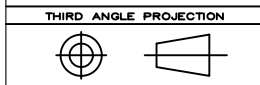
SYMBOL LEGEND
 O & U = MECH. LUGS (SEE TABLE FOR DETAILS)
 NCT = NEUTRAL CURRENT SENSOR
 RBS = REMOVABLE GROUND STRAP
 DL = NEUTRAL DISCONNECT LINK
 N = NORMAL
 E = EMERGENCY
 L = LOAD

NOTES:		
SYSTEM RATING: 100KA		
ENCLOSURE:	NEMA 1 TYPE	LABELS
INSTALLATION:	FLOOR MOUNTED	1. UL891 (ON INNER SIDE OF DOOR)
FINISH:	ANSI 61 GRAY	2. SUITABLE FOR AS SERVICE ENTRANCE
ACCESS:	REAR & SIDES	3. SERVICE DISCONNECT
COMPONENTS RATING AND SPECIFICATIONS (ATS):		
SERVICE ENTRANCE:	2600-3000A, 4 POLE UNIT, FULLY RATED	4. UL COMPLIANCE SHEET
SHORT CIRCUIT WITHSTAND AND CLOSING RATING (UL)	100KA @ 480V	5. SECTION AMPACITY
CIRCUIT BREAKER:		
GE PBII-ICCB, MICRO-VERSA TRIP PLUS, LSIG TRIP UNIT		6. 500-1000 MCM TORQUE
MOUNT TYPE:	STATIONARY	7. NEMA 1 ENCLOSURE
SIZE:	3000AF/3000AT-2500AT	8. NEUTRAL TO GROUND LINK
SHORT CIRCUIT INTERRUPT RATING	100KAIC @ 480V	9. HIGH VOLTAGE DANGER
U.L. LABEL	B91 *SUITABLE TO USE AS SERVICE ENTRANCE EQUIPMENT*	
BUS:		
MATERIAL:	COPPER 1000A/in (3-1/4" X 4" PHASE/NEUTRAL)	
	(1-1/4" X 2" GROUND BUS)	
FINISH:	SILVER PLATED	
CABLE:		
52-N	(8)-600Kcmil PER PHASE & NEUTRAL	
LOAD	(8)-600Kcmil PER PHASE & NEUTRAL	
EMERGENCY	(8)-600Kcmil PER PHASE & NEUTRAL	
GROUND	SPACE FOR UP TO (24)-1/0-250Kcmil LUG	



D
C
B
A

D
C
B
A



GE PROPRIETARY AND CONFIDENTIAL INFORMATION
 This document is the property of General Electric Company ("GE") and contains proprietary information of GE. This document is loaned on the express condition that neither it nor the information contained therein shall be disclosed to others without the express written consent of GE Industrial Systems, and that the information shall be used by the recipient only as approved expressly by GE Industrial Systems. This document shall be returned to GE upon its request. This document may be subject to certain restrictions under U.S. export control laws and regulations.

FOR ADDITIONAL INFO REFER TO	SIGNATURES	DATE
APPLIED PRACTICES	MODEL MRR	3/19/10
UNLESS OTHERWISE SPECIFIED DIMENSIONS ARE IN INCHES	DETAIL	
TOLERANCES ON:	CHECKED	
2 PL. DECIMALS ± .020	ENGRG YP	3/19/10
3 PL. DECIMALS ± .005	MFG	
ANGLES ± 1°	QUALITY	
FRACTIONS ± 1/64	ISSUED	
FINISH ✓	DRAWING FILE: 50c-4229-a-1	FIRST MADE FOR: ZTGSE30(4P-N1)
	MODEL / ASSEMBLY FILE:	SIZE CAGE CODE DWG NO
	# CTQs	D 50C-4229

GE Zenith Controls
2600A/3000A SERVICE ENTRANCE (4P-N1) OUTLINE DRAWING
 SCALE: NONE
 SHEET 1 of 1