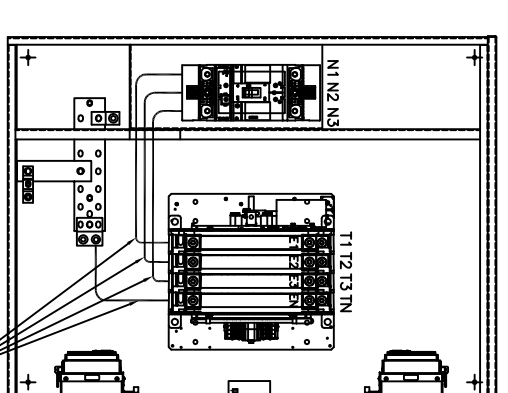
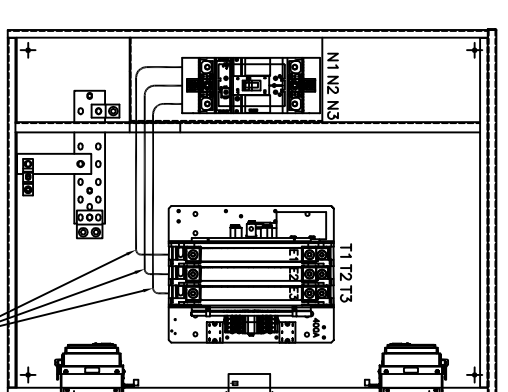
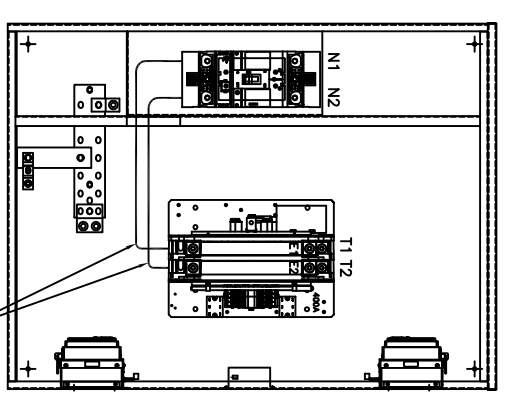
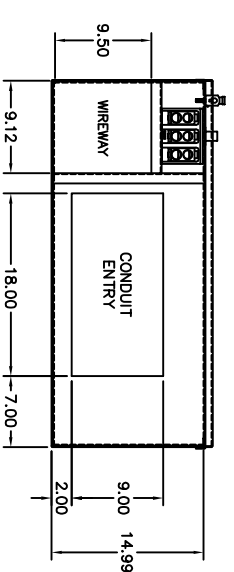
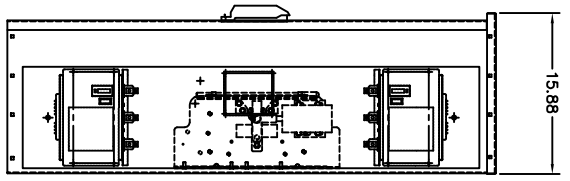
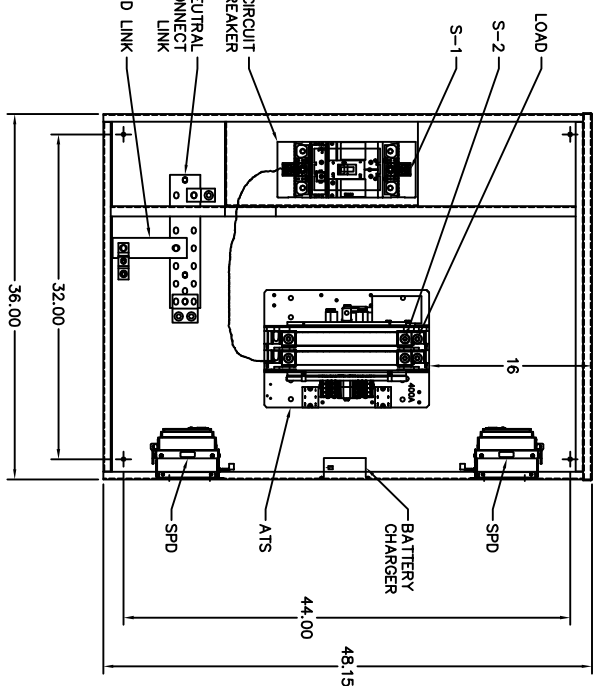
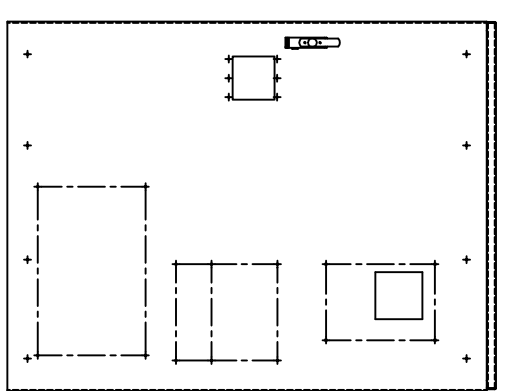
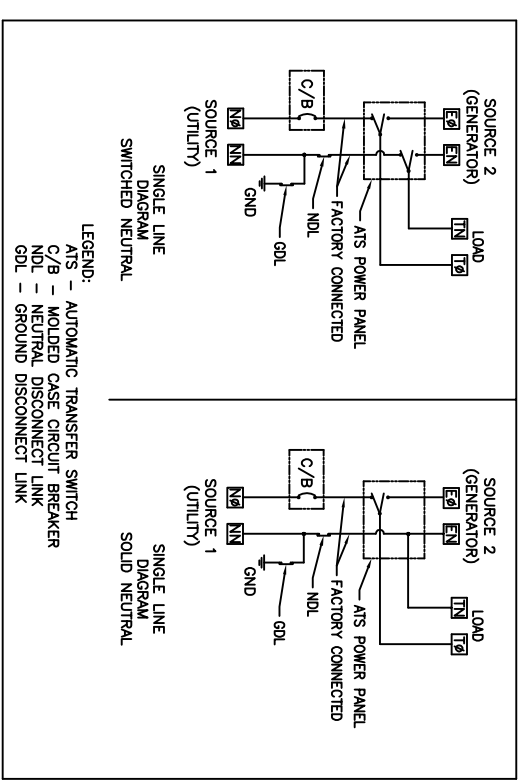


| REV. | DESCRIPTION              | DATE    | APPROVED |
|------|--------------------------|---------|----------|
| A    | S-8949 ESTABLISH DRAWING | 3/24/10 | JP MAS   |

| REV. | DESCRIPTION              | DATE    | APPROVED |
|------|--------------------------|---------|----------|
| A    | S-8949 ESTABLISH DRAWING | 3/24/10 | JP MAS   |



CONTACT GE ZENITH CONTROLS FOR ADDITIONAL OPTIONS  
OPTIONAL ACCESSORIES SHOWN IN PHOTOMOUNT DISPLAY



| NAME | DESCRIPTION         | NOTES  |
|------|---------------------|--|
| BC   | BATTERY CHARGER     | 12V/6AMP OR 24V/3AMP OUTPUT  |
| SPD  | GE TRANQUILL ME     | 100KA PER MODE, MEDIUM EXPOSURE AVAILABLE FOR SOURCE 1, 2 AND LOAD           |
| EPM  | POWER METER         | SERIES OF METERING OPTIONS   |
| STS  | SHUNT TRIP SELECTOR | DOOR MOUNTED SHUNT TRIP SELECTOR SWITCH WITH SIGNAL INDICATING TRIP POSITION |
| BB   | C/B AUX CONTACTS    | 1 CONTACT WITH STS AND 2 WITHOUT STS OPTION                                  |

- NOTES:
- ENCLOSURE: NEMA 1 TYPE (FLOOR AND/OR WALL MOUNTED)
  - FINISH: ANSI 61 GRAY
  - ACCESS: FRONT ONLY
  - MCCB ACCESSORY: PADLOCKING (PROVISION ONLY)
- SYSTEM RATING AND SPECIFICATIONS:
- SERVICE ENTRANCE: 40-400A, 2, 3 & 4 POLE UNIT, FULLY RATED
  - NEUTRAL DISCONNECT LINK: 100% RATED
  - GROUND DISCONNECT LINK: 100% RATED
  - \* REFER TABLE FOR MORE DETAILS \*

| MCCB AMP FRAME | 80% RATED    | WIRE RANGE       | LOAD             | ATS WCR RATING (UL) @ 480V | BREAKER IC RATING (UL) @ 480V |
|----------------|--------------|------------------|------------------|----------------------------|-------------------------------|
| 40             | 60A / 40AT   | (1) 12 AWG-3/0   | (1) 8 AWG-3/0    | 30KA                       | 65KA                          |
| 80             | 100A / 80AT  | (1) 12 AWG-3/0   | (1) 8 AWG-3/0    | 30KA                       | 65KA                          |
| 100            | 250A / 100AT | (1) 8 AWG-350MCM | (1) 8 AWG-3/0    | 30KA                       | 65KA                          |
| 150            | 250A / 150AT | (1) 8 AWG-350MCM | (1) 8 AWG-3/0    | 30KA                       | 65KA                          |
| 200            | 250A / 200AT | (1) 8 AWG-350MCM | (1) 6 AWG-250MCM | 30KA                       | 65KA                          |
| 225            | 400A / 225AT | (1) 6 AWG-600MCM | (1) 6 AWG-250MCM | 30KA                       | 65KA                          |
| 260            | 400A / 250AT | (1) 6 AWG-600MCM | (1) 6 AWG-350MCM | 35KA                       | 65KA                          |
| 400            | 600A / 400AT | (1) 4 AWG-600MCM | (1) 4 AWG-600MCM | 50KA                       | 65KA                          |

This document is the property of General Electric Company, Inc. and contains proprietary information of GE. The document is loaned to the recipient for their use only. It is not to be reproduced, copied, or disseminated in any form without the prior written consent of GE. The recipient shall be held responsible for the safekeeping and return of this document. The recipient may be subject to certain restrictions under U.S. Export Control laws and regulations.

GE Zenith Controls

40A/400A OUTLINE DRAWING

2, 3 & 4 POLE - NEMA 1

50C-4232

AutoCad Generated

Scale: NONE

SHEET 1 of 1