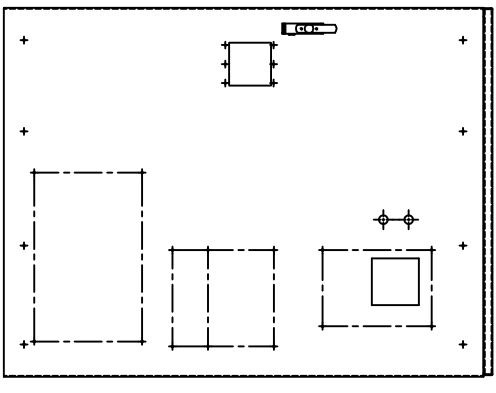
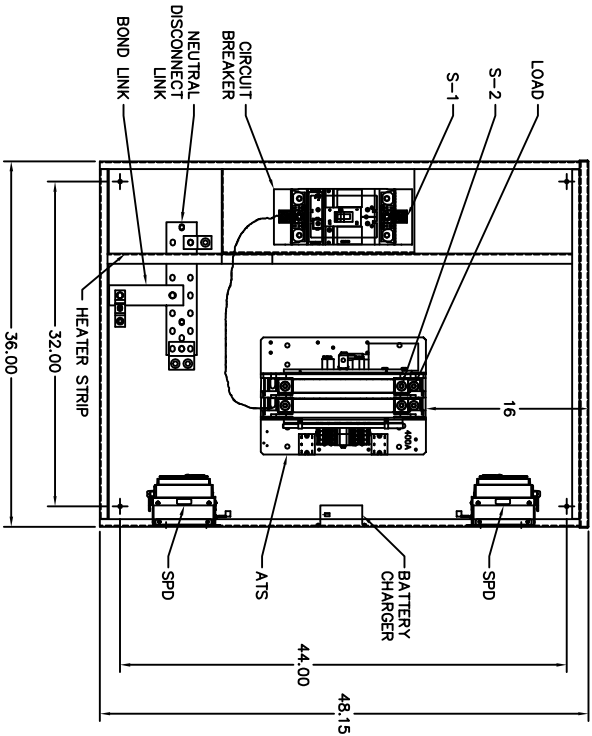


REV.	DESCRIPTION	DATE	APPROVED
A	S-8949 ESTABLISH DRAWING	3/24/10	JP MAS

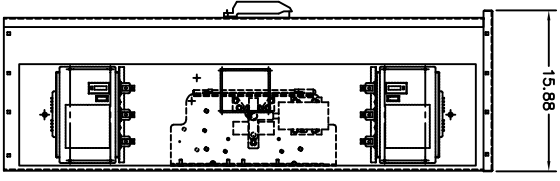
REV.	DESCRIPTION	DATE	APPROVED
A	S-8949 ESTABLISH DRAWING	3/24/10	JP MAS



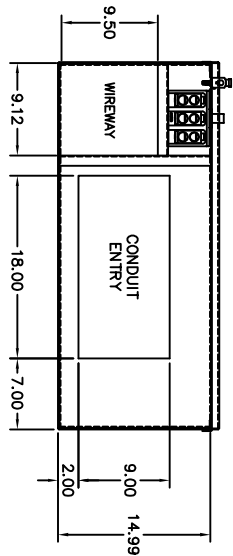
FRONT VIEW



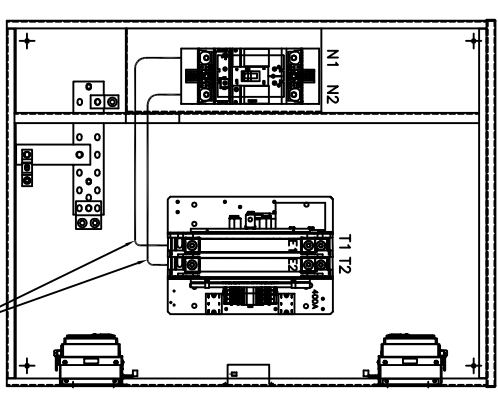
INTERIOR VIEW



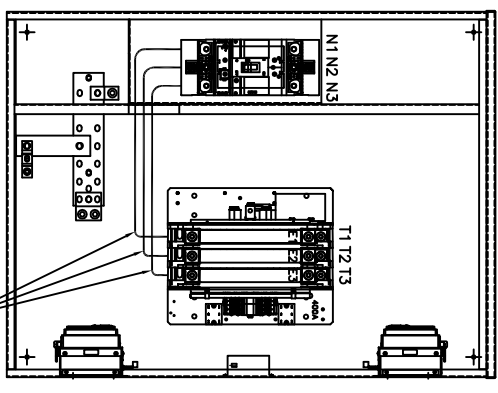
SIDE VIEW



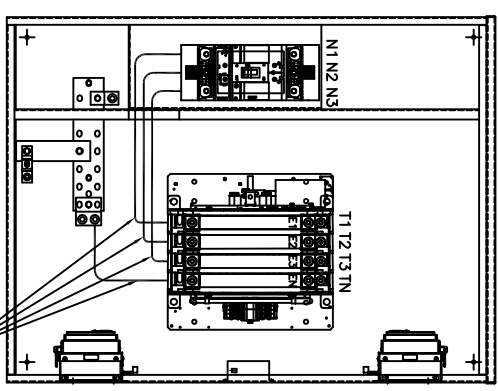
BOTTOM VIEW



2 POLE WIRING

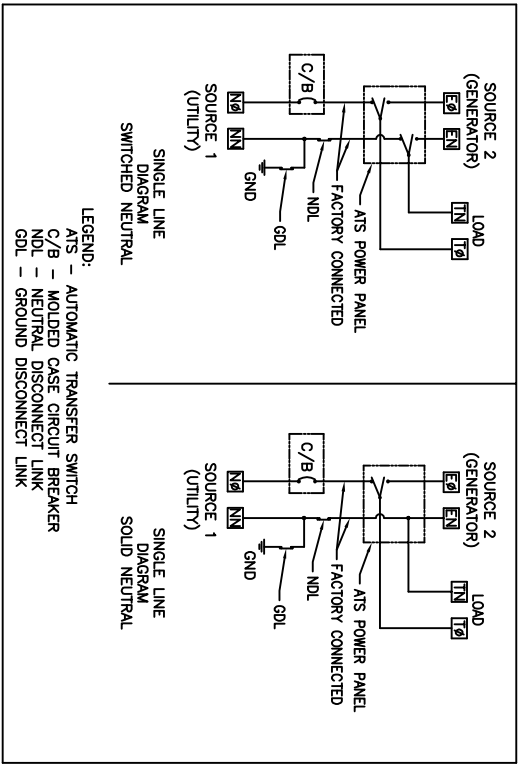


3 POLE WIRING



4 POLE WIRING

CONTACT GE ZENITH CONTROLS FOR ADDITIONAL OPTIONS
OPTIONAL ACCESSORIES SHOWN IN PHOTOMOUNT DISPLAY



LEGEND:
ATS - AUTOMATIC TRANSFER SWITCH
C/B - MOLDED CASE CIRCUIT BREAKER
NDL - NEUTRAL DISCONNECT LINK
GDL - GROUND DISCONNECT LINK

NAME	DESCRIPTION	NOTES
BC	BATTERY CHARGER	12V/6AMP OR 24V/3AMP OUTPUT
SPD	GE TRANQUILL ME	100KA PER MODE, MEDIUM EXPOSURE AVAILABLE FOR SOURCE 1, 2 AND LOAD
EPM	POWER METER	SERIES OF METERING OPTIONS
STS	SHUNT TRIP SELECTOR	DOOR MOUNTED SHUNT TRIP SELECTOR SWITCH WITH SIGNAL INDICATING THE TRIP POSITION
BB	C/B AUX CONTACTS	1 CONTACT WITH STS AND 2 WITHOUT STS OPTION
HT	HEATER STRIP	FACTORY SET THERMOSTAT

NOTES:
ENCLOSURE: NEMA 3R TYPE (FLOOR AND/OR WALL MOUNTED)
FINISH: ANSI 61 GRAY
ACCESS: FRONT ONLY
MCOB ACCESSORY: PADLOCKING (PROVISION ONLY)
SYSTEM RATING AND SPECIFICATIONS:
SERVICE ENTRANCE: 40-400A, 2, 3 & 4 POLE UNIT, FULLY RATED
NEUTRAL DISCONNECT LINK: 100% RATED
GROUND DISCONNECT LINK: 100% RATED
* REFER TABLE FOR MORE DETAILS *

MCOB	80% RATED	WIRE RANGE	LOAD	ATS WCR RATING (UL) @ 480V	BREAKER IC RATING (UL) @ 480V
40	SF 60AF / 40AT	(1) 12 AWG-3/0	(1) 8 AWG-3/0	30KA	65KA
80	SF 100AF / 80AT	(1) 12 AWG-3/0	(1) 8 AWG-3/0	30KA	65KA
100	SF 250AF / 100AT	(1) 8 AWG-350MCM	(1) 8 AWG-3/0	30KA	65KA
150	SF 250AF / 150AT	(1) 8 AWG-350MCM	(1) 8 AWG-3/0	30KA	65KA
200	SF 250AF / 200AT	(1) 8 AWG-350MCM	(1) 6 AWG-250MCM	30KA	65KA
225	SG 400AF / 225AT	OR (1) 6-600MCM OR (2) 2/0-500MCM	(1) 6 AWG-250MCM	30KA	65KA
260	SG 400AF / 250AT	OR (1) 6-600MCM OR (2) 2/0-500MCM	(1) 4 AWG-350MCM	35KA	65KA
400	SG 600AF / 400AT	OR (1) 4 AWG-600MCM OR (2) 2/0-500MCM	(1) 4 AWG-600MCM OR (2) 2/0-250MCM	50KA	65KA



40A/400A OUTLINE DRAWING
2, 3 & 4 POLE - NEMA 3R

50C-4233

FOR ADDITIONAL INFO REFER TO	SIGNATURES	DATE
APPLIED		3/24/10
FRAMES		
DIMENSIONS		
TOLERANCES		
2 PL. DECIMALS ± .020		
3 PL. DECIMALS ± .005		
ANGLES ± 1'		
FRACTIONS ± 1/64		
FINISH		
Autocad Generated		

This document is the property of General Electric Company and contains proprietary information of GE. The document is loaned to the recipient for their use only. It is not to be reproduced, copied, or disseminated in any form without the prior written consent of GE. The recipient shall be held responsible for the safekeeping of this document and its return to GE upon its request. The document may be subject to certain restrictions under U.S. Export Control laws and regulations.

GE PROPRIETARY AND CONFIDENTIAL INFORMATION

