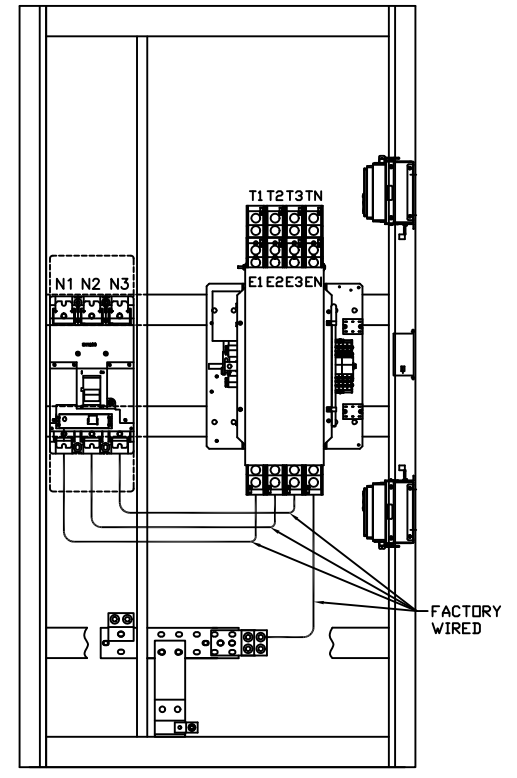
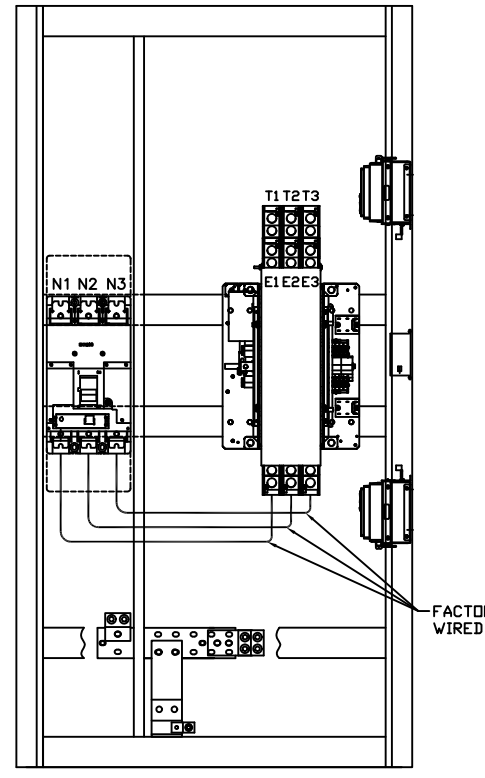
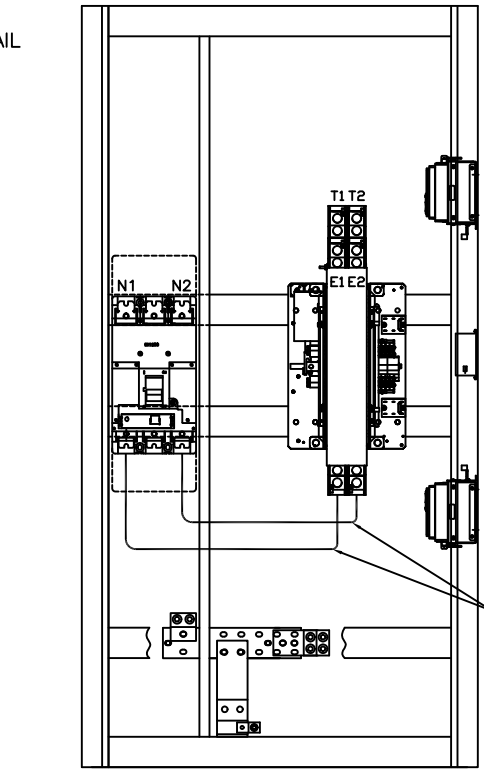
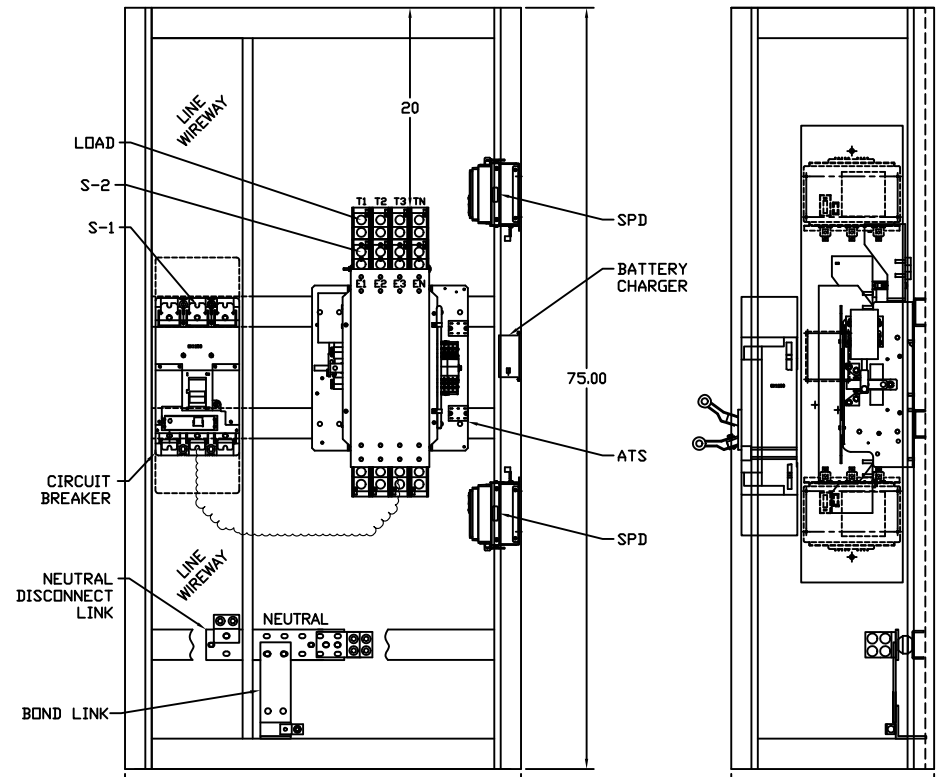
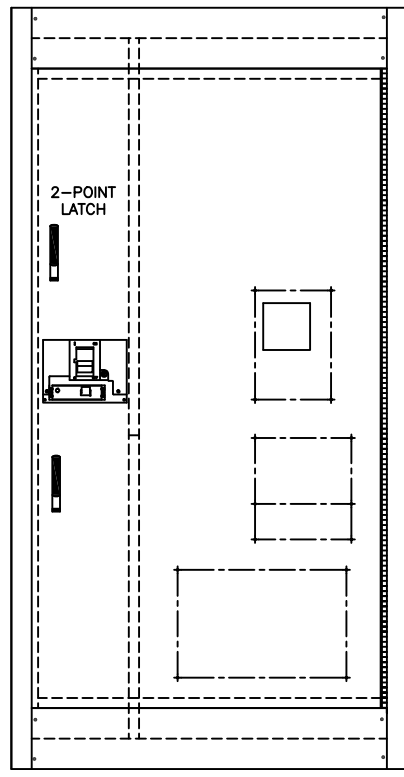
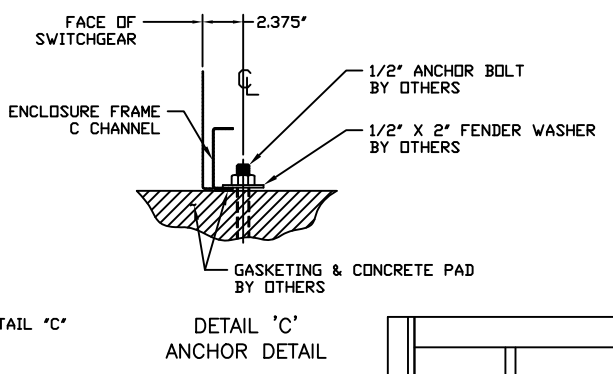
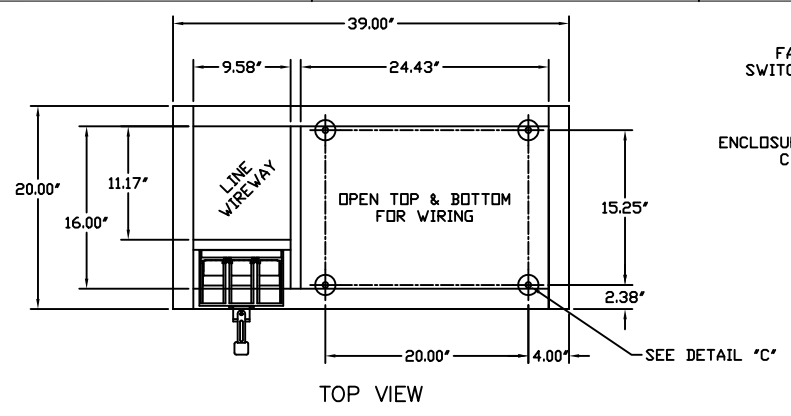
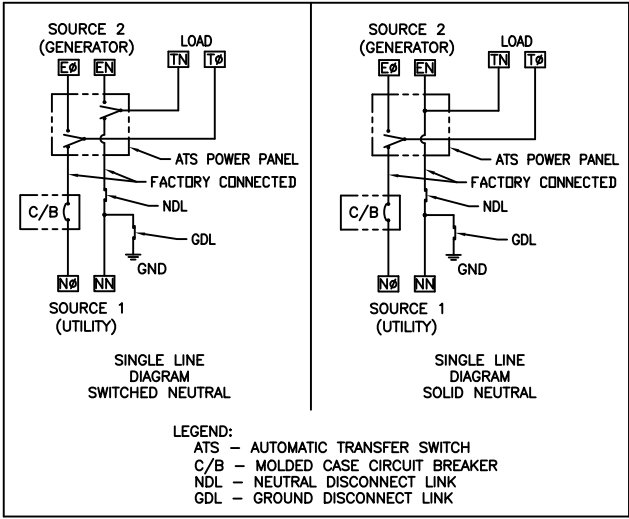


REVISIONS			
REV.	DESCRIPTION	DATE	APPROVED
A	S-8949 ESTABLISH DRAWING	3/24/10	YP MAS



CONTACT GE ZENITH CONTROLS FOR ADDITIONAL OPTIONS
OPTIONAL ACCESSORIES SHOWN IN PHANTOM DISPLAY



LEGEND:
ATS - AUTOMATIC TRANSFER SWITCH
C/B - MOLDED CASE CIRCUIT BREAKER
NDL - NEUTRAL DISCONNECT LINK
GDL - GROUND DISCONNECT LINK

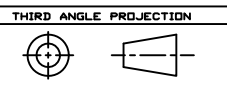
OPTIONS		
NAME	DESCRIPTION	NOTES
BC	BATTERY CHARGER	12V/6AMP OR 24V/3AMP OUTPUT
SPD	GE TRANQUELL ME	100KA PER MODE, MEDIUM EXPOSURE AVAILABLE FOR SOURCE 1, 2 AND LOAD
EPM	POWER METER	SERIES OF METERING OPTIONS
STS	SHUNT TRIP SELECTOR	DOOR MOUNTED SHUNT TRIP SELECTOR SWITCH WITH SIGNAL INDICATING THE TRIP POSITION
BB	C/B AUX CONTACTS	1 CONTACT WITH STS AND 2 WITHOUT STS OPTION

MCCB: GE, DIGITAL SLID STATE SPECTRA RMS BREAKER						
AMP	MCCB FRAME	80% RATED	WIRE RANGE		ATS WCR RATING (UL) ● 480V	BREAKER IC RATING (UL) ● 480V
			S-1 (UTILITY)	S-2 (GENERATOR)		
600	SK	800AF / 600AT	(3) 3/0-500MCM	(2) 2 AWG-600MCM	(2) 2 AWG-600MCM	50KA / 65KA

NOTES:
ENCLOSURE: NEMA 1 TYPE (FLOOR AND/OR WALL MOUNTED)
FINISH: ANSI 61 GRAY
ACCESS: FRONT ONLY
MCCB ACCESSORY: PADLOCKING (PROVISION ONLY)
SYSTEM RATING AND SPECIFICATIONS:
SERVICE ENTRANCE: 600A, 2, 3 & 4 POLE UNIT, FULLY RATED
NEUTRAL DISCONNECT LINK: 100% RATED
GROUND DISCONNECT LINK: 100% RATED
* REFER TABLE FOR MORE DETAILS *

FOR ADDITIONAL INFO REFER TO	SIGNATURES	DATE	
APPLIED PRACTICES	MODEL MRR	3/24/10	
UNLESS OTHERWISE SPECIFIED DIMENSIONS ARE IN INCHES	DETAIL		TITLE
TOLERANCES ON:	CHECKED		600A OUTLINE DRAWING
2 PL. DECIMALS ± .020	ENGRG YP	3/24/10	2, 3 & 4 POLE - NEMA 1
3 PL. DECIMALS ± .005	MFG		FIRST MADE FOR: ZTGS-600A
ANGLES ± 1°	QUALITY		SIZE CAGE CODE DWG NO
FRACTIONS ± 1/64	ISSUED		D 50C-4234
FINISH ✓	DRAWING FILE: 50c-4234-a-1		SCALE: NONE
	MODEL / ASSEMBLY FILE:		SHEET 1 of 1
	# CTQs		

GE PROPRIETARY AND CONFIDENTIAL INFORMATION
This document is the property of General Electric Company (GE) and contains proprietary information of GE. This document is loaned on the express condition that neither it nor the information contained therein shall be disclosed to others without the express written consent of GE Industrial Systems, and that the information shall be used by the recipient only as approved expressly by GE Industrial Systems. This document shall be returned to GE upon its request. This document may be subject to certain restrictions under U.S. export control laws and regulations.



D

C

B

A

D

C

B

A