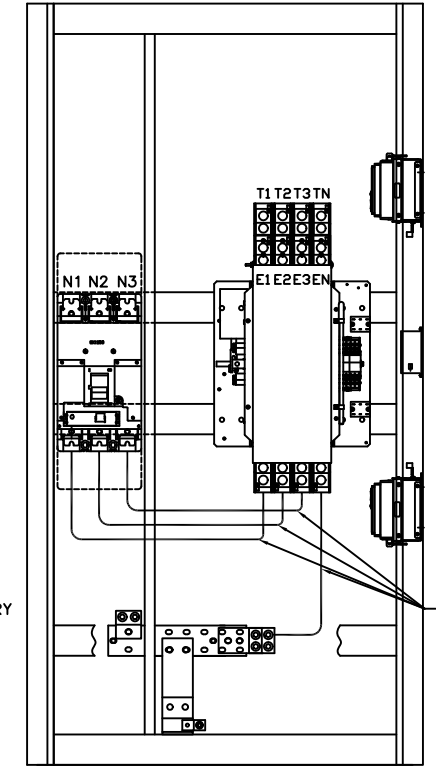
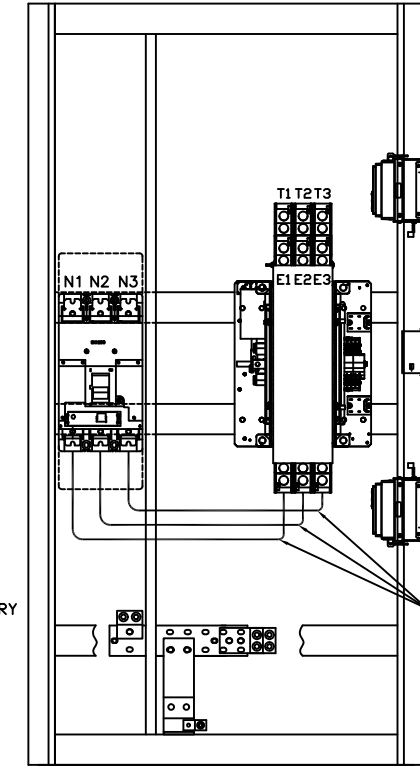
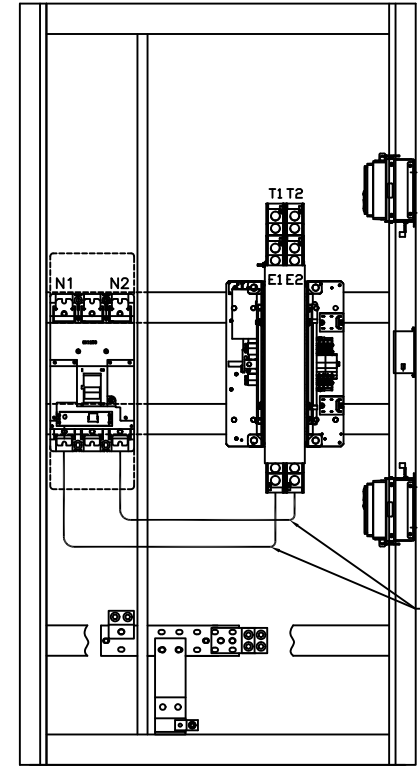
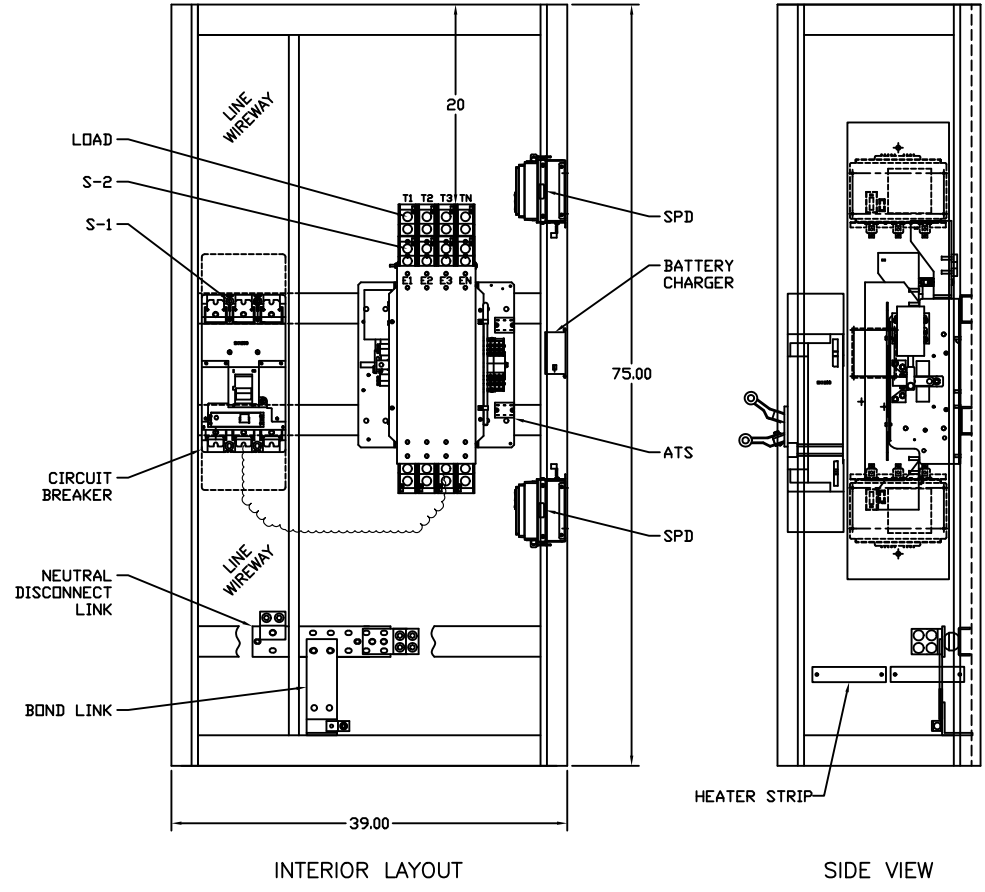
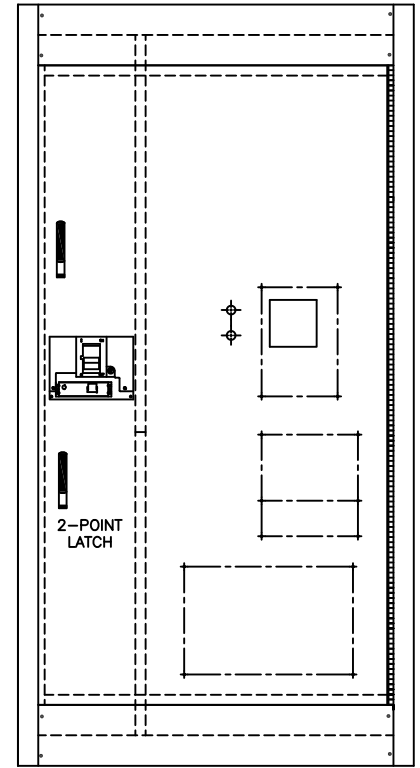
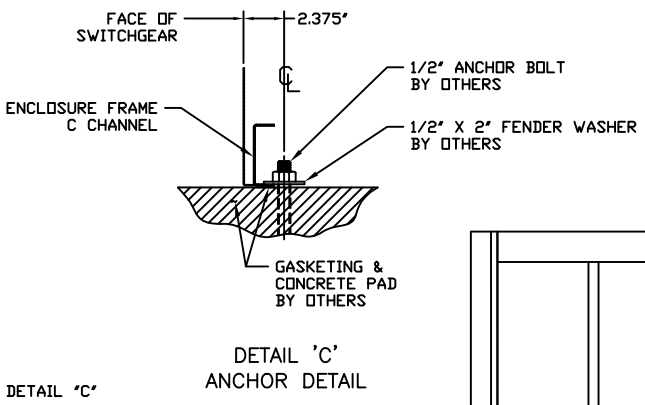
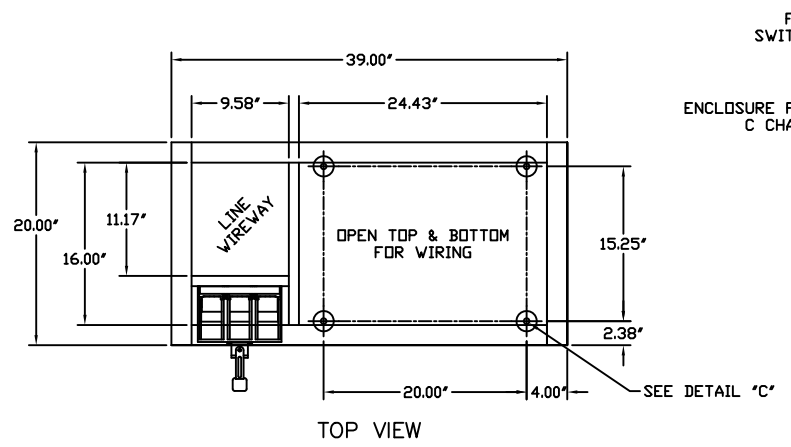
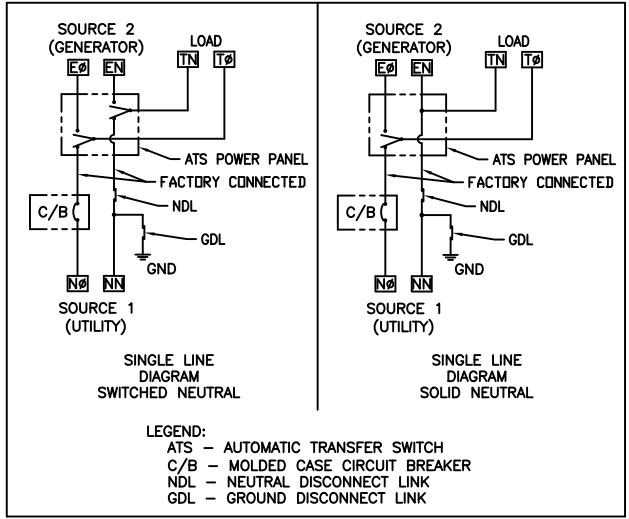


REVISIONS			
REV.	DESCRIPTION	DATE	APPROVED
A	S-8949 ESTABLISH DRAWING	3/24/10	YP MAS



CONTACT GE ZENITH CONTROLS FOR ADDITIONAL OPTIONS  
OPTIONAL ACCESSORIES SHOWN IN PHANTOM DISPLAY



LEGEND:  
ATS - AUTOMATIC TRANSFER SWITCH  
C/B - MOLDED CASE CIRCUIT BREAKER  
NDL - NEUTRAL DISCONNECT LINK  
GDL - GROUND DISCONNECT LINK

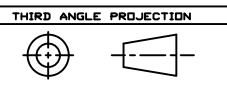
OPTIONS		
NAME	DESCRIPTION	NOTES
BC	BATTERY CHARGER	12V/6AMP OR 24V/3AMP OUTPUT
SPD	GE TRANQUILL ME	100KA PER MODE, MEDIUM EXPOSURE AVAILABLE FOR SOURCE 1, 2 AND LOAD
EPM	POWER METER	SERIES OF METERING OPTIONS
STS	SHUNT TRIP SELECTOR	DOOR MOUNTED SHUNT TRIP SELECTOR SWITCH WITH SIGNAL INDICATING THE TRIP POSITION
BB	C/B AUX CONTACTS	1 CONTACT WITH STS AND 2 WITHOUT STS OPTION
HT	HEATER STRIP	FACTORY SET THERMOSTAT

MCCB: GE, DIGITAL SLID STATE SPECTRA RMS BREAKER						
AMP	MCCB FRAME	80% RATED	WIRE RANGE		ATS WCR	BREAKER IC RATING
			S-1 (UTILITY)	S-2 (GENERATOR)		
600	SK	800AF / 600AT	(3) 3/0-500MCM	(2) 2 AWG-600MCM	(2) 2 AWG-600MCM	50KA / 65KA

NOTES:  
ENCLOSURE: NEMA 3R TYPE (FLOOR AND/OR WALL MOUNTED)  
FINISH: ANSI 61 GRAY  
ACCESS: FRONT ONLY  
MCCB ACCESSORY: PADLOCKING (PROVISION ONLY)  
SYSTEM RATING AND SPECIFICATIONS:  
SERVICE ENTRANCE: 600A, 2, 3 & 4 POLE UNIT, FULLY RATED  
NEUTRAL DISCONNECT LINK: 100% RATED  
GROUND DISCONNECT LINK: 100% RATED  
\* REFER TABLE FOR MORE DETAILS \*

FOR ADDITIONAL INFO REFER TO APPLIED PRACTICES UNLESS OTHERWISE SPECIFIED DIMENSIONS ARE IN INCHES	SIGNATURES MODEL MRR ENGRG YP MFG QUALITY ISSUED DRAWING FILE: 50c-4235-a-1 MODEL / ASSEMBLY FILE: # CTQs	DATE 3/24/10 3/24/10	<b>GE Zenith Controls</b> TITLE 600A OUTLINE DRAWING 2, 3 & 4 POLE - NEMA 3R FIRST MADE FOR: ZTGS-600A SIZE CAGE CODE DWG NO D 50C-4235 SCALE: NONE SHEET 1 of 1
--	---	----------------------------	--

GE PROPRIETARY AND CONFIDENTIAL INFORMATION  
This document is the property of General Electric Company (GE) and contains proprietary information of GE. This document is loaned on the express condition that neither it nor the information contained therein shall be disclosed to others without the express written consent of GE Industrial Systems, and that the information shall be used by the recipient only as approved expressly by GE Industrial Systems. This document shall be returned to GE upon its request. This document may be subject to certain restrictions under U.S. export control laws and regulations.



D  
C  
B  
A

D  
C  
B  
A