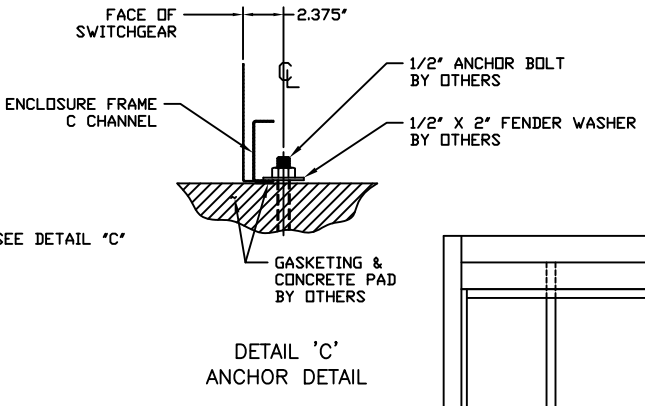
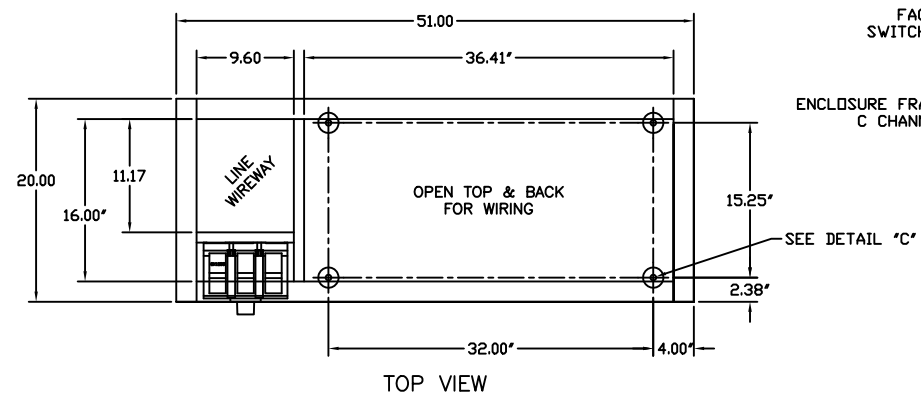


REVISIONS			
REV.	DESCRIPTION	DATE	APPROVED
A	S-8949 ESTABLISH DRAWING	3/24/10	YP MAS

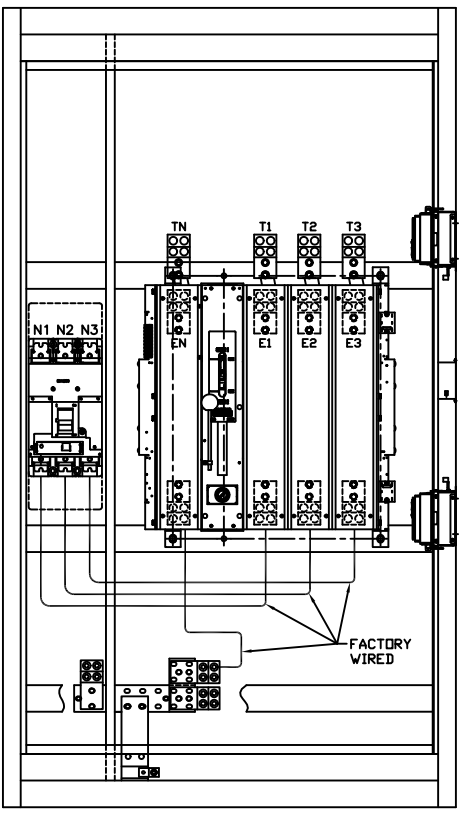
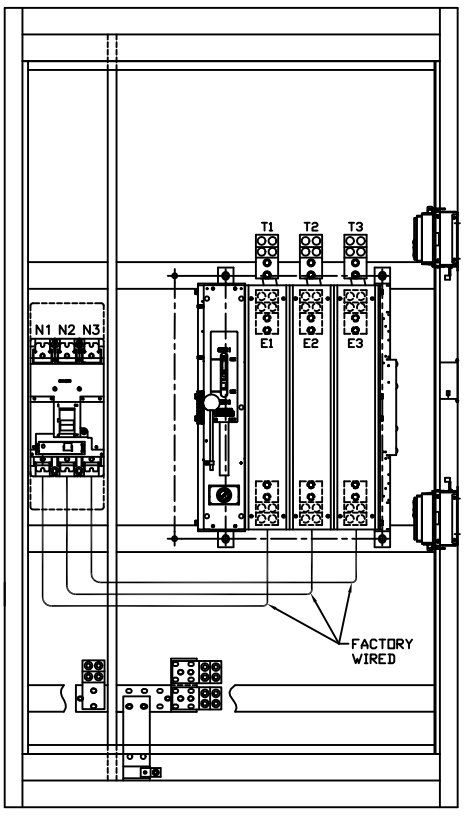
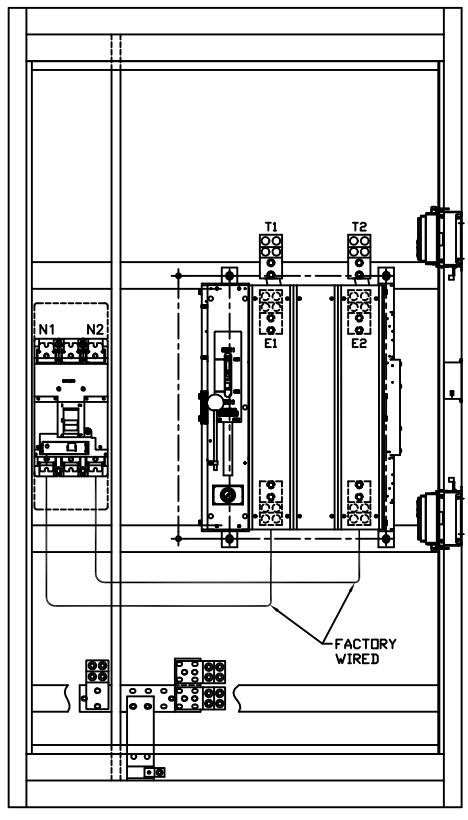
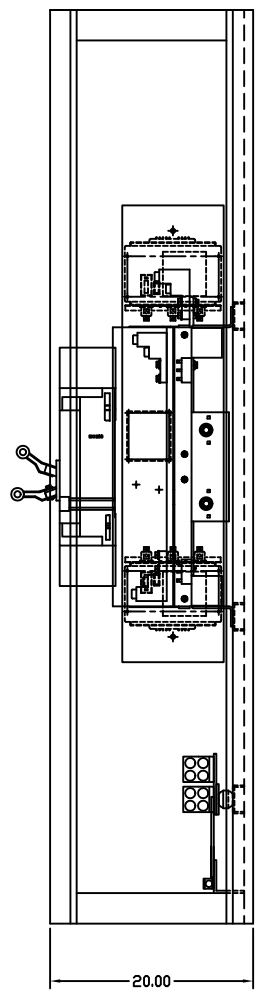
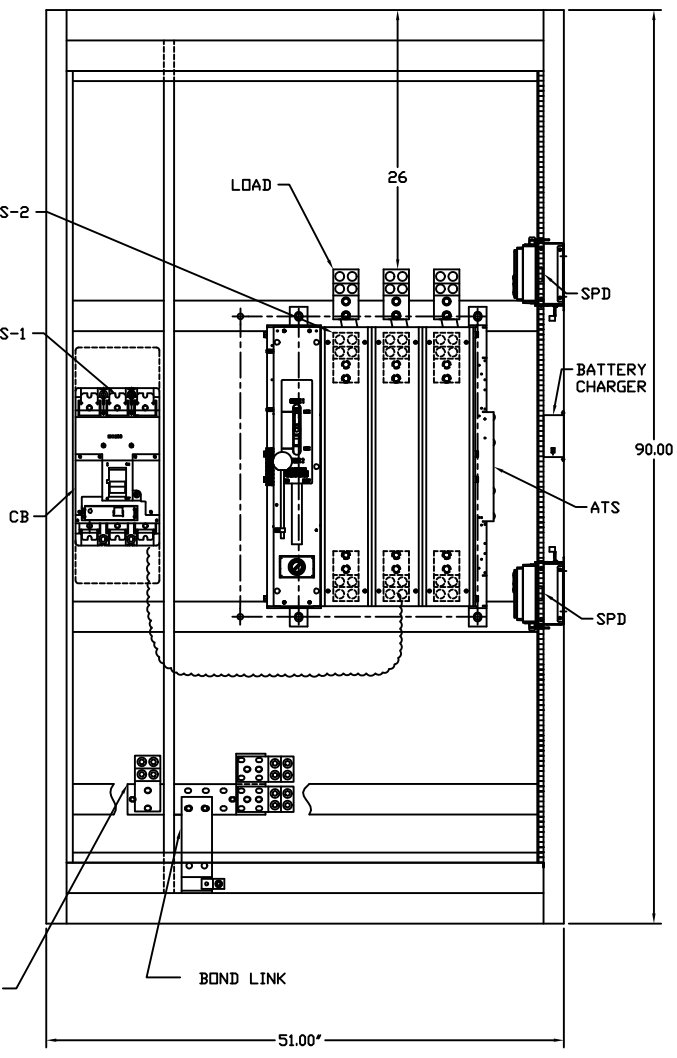
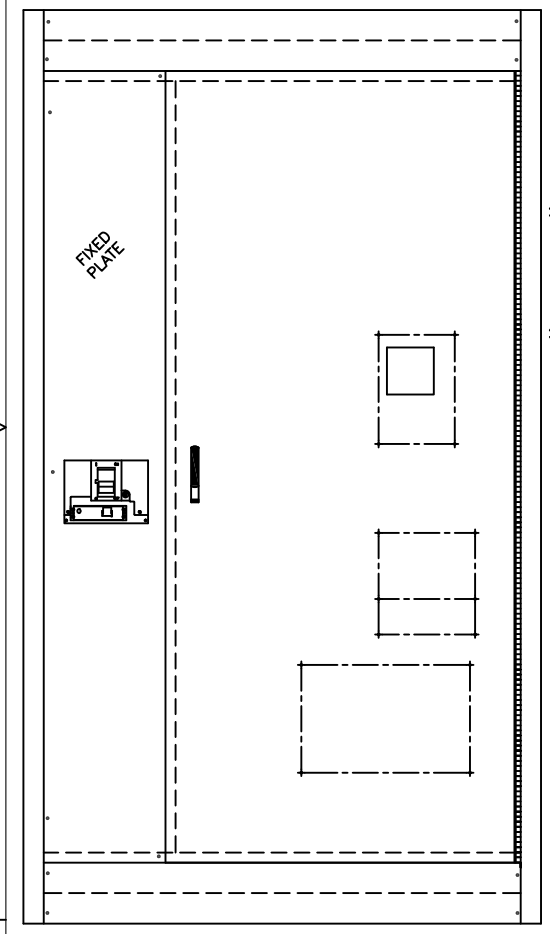


D

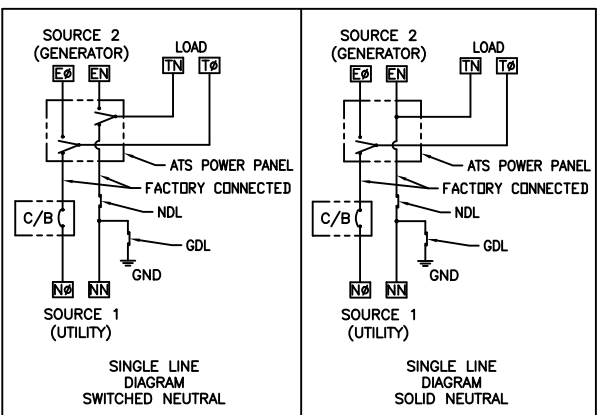
C

B

A



CONTACT GE ZENITH CONTROLS FOR ADDITIONAL OPTIONS
OPTIONAL ACCESSORIES SHOWN IN PHANTOM DISPLAY

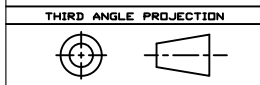


LEGEND:
ATS - AUTOMATIC TRANSFER SWITCH
C/B - MOLDED CASE CIRCUIT BREAKER
NDL - NEUTRAL DISCONNECT LINK
GDL - GROUND DISCONNECT LINK

OPTIONS		
NAME	DESCRIPTION	NOTES
BC	BATTERY CHARGER	12V/6AMP OR 24V/3AMP OUTPUT
SPD	GE TRANQUILL ME	100KA PER MODE, MEDIUM EXPOSURE AVAILABLE FOR SOURCE 1, 2 AND LOAD
EPM	POWER METER	SERIES OF METERING OPTIONS
STS	SHUNT TRIP SELECTOR	DOOR MOUNTED SHUNT TRIP SELECTOR SWITCH WITH SIGNAL INDICATING THE TRIP POSITION
BB	C/B AUX CONTACTS	1 CONTACT WITH STS AND 2 WITHOUT STS OPTION

MCCB: GE, DIGITAL SLID STATE SPECTRA RMS BREAKER							
AMP	MCCB FRAME	80% RATED	WIRE RANGE		ATS WCR	BREAKER IC RATING	
			S-1 (UTILITY)	S-2 (GENERATOR)	LOAD	RATING (UL) @ 480V	
800	SK	1200AF / 800AT	(4) 250-500MCM	(4) 2 AWG-600MCM	(4) 2 AWG-600MCM	65KA	65KA

NOTES:
ENCLOSURE: NEMA 1 TYPE (FLOOR AND/OR WALL MOUNTED)
FINISH: ANSI 61 GRAY
ACCESS: FRONT ONLY
MCCB ACCESSORY: PADLOCKING (PROVISION ONLY)
SYSTEM RATING AND SPECIFICATIONS:
SERVICE ENTRANCE: 800A, 2, 3 & 4 POLE UNIT, FULLY RATED
NEUTRAL DISCONNECT LINK: 100% RATED
GROUND DISCONNECT LINK: 100% RATED
* REFER TABLE FOR MORE DETAILS *



GE PROPRIETARY AND CONFIDENTIAL INFORMATION
This document is the property of General Electric Company (GE) and contains proprietary information of GE. This document is loaned on the express condition that neither it nor the information contained therein shall be disclosed to others without the express written consent of GE Industrial Systems, and that the information shall be used by the recipient only as approved expressly by GE Industrial Systems. This document shall be returned to GE upon its request. This document may be subject to certain restrictions under U.S. export control laws and regulations.

FOR ADDITIONAL INFO REFER TO	SIGNATURES	DATE
APPLIED PRACTICES	MODEL MRR	3/24/10
UNLESS OTHERWISE SPECIFIED DIMENSIONS ARE IN INCHES	DETAIL	
TOLERANCES ON:	CHECKED	
2 PL. DECIMALS ± .020	ENGRG YP	3/24/10
3 PL. DECIMALS ± .005	MFG	
ANGLES ± 1°	QUALITY	
FRACTIONS ± 1/64	ISSUED	
FINISH ✓	DRAWING FILE: 50c-4236-a-1	FIRST MADE FOR: ZTGSE-800A
	MODEL / ASSEMBLY FILE:	SIZE CAGE CODE DWG NO
		D 50C-4236
AutoCad Generated	# CTQs	CRITICAL TO QUALITY CHARACTERISTIC

TITLE: 800A OUTLINE DRAWING
2, 3 & 4 POLE - NEMA 1
SCALE: NONE
SHEET 1 of 1