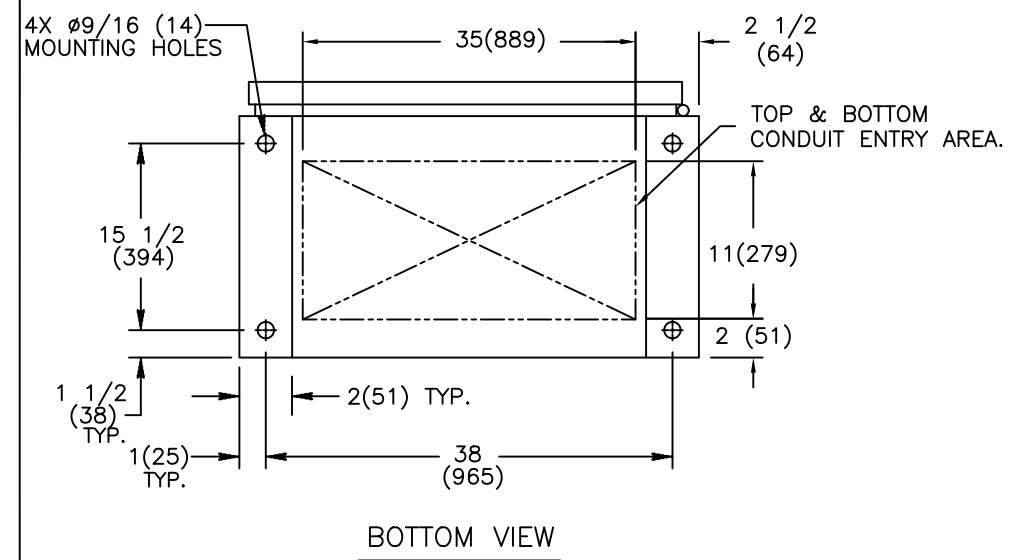


REVISIONS			
REV.	DESCRIPTION	DATE	APPROVED
P	S-8887	ADDED WEIGHT	08/11/09 YP MAS

MODEL	AMPERAGE	NO. POLES	NEMA CABINET	LUG RANGE	WIRE BENDING SPACE		WIRE GUTTERS	
					P(TOP)	R(BOTTOM)	S(LEFT)	T(RIGHT)
ZTG(D)	1000-1200	2,3	F-1852MP	(QTY 4) #2-600 MCM (33-304mm <sup>2</sup> )	18 11/16 (475)	18 5/8 (473)	17 1/4 (438)	1 1/8 (29)
		4					11 1/2 (292)	



**NOTES:**

1. MATERIAL: 12 GA. 1018 HRS .104 (3) REF. (F-1834MP)
2. FINISH: ANSI 61 GREY
3. ALL DIMENSIONS ARE FOR REFERENCE ONLY AND SHOWN IN INCHES(MILLIMETERS).
4. CONSTRUCTION PER UL 1008
5. FOR SEISMIC MOUNTING, REFER TO SHEET NO.2

SIGNATURES		DATE		<b>GE Zenith Controls</b>
MODEL	SG	03/13/01		
DETAIL				
CHECKED	SM			
ENGRG				
MFG				TITLE
QUALITY				TRANSFER SWITCHES
ISSUED				NEMA 1 ENCLOSURE
DRAWING FILE: 52c-1000-p-1.dwg				FIRST MADE FOR:
MODEL / ASSEMBLY FILE: ZTG(D) 1000-1200 AMP	SIZE	CAGE CODE	DWG NO	
# CTQs	B		52C-1000	
AutoCad Generated				SCALE: N/A
CRITICAL TO QUALITY CHARACTERISTIC				SHEET 1 OF 2

THIRD ANGLE PROJECTION

GE PROPRIETARY AND CONFIDENTIAL INFORMATION

This document is the property of General Electric Company ("GE") and contains proprietary information of GE. This document is loaned on the express condition that neither it nor the information contained therein shall be disclosed to others without the express written consent of GE Industrial Systems, and that the information shall be used by the recipient only as approved expressly by GE Industrial Systems. This document shall be returned to GE upon its request. This document may be subject to certain restrictions under U.S. export control laws and regulations.

REVISIONS			
REV.	DESCRIPTION	DATE	APPROVED
P	S-8887	ADDED WEIGHT	08/11/09 YP MAS

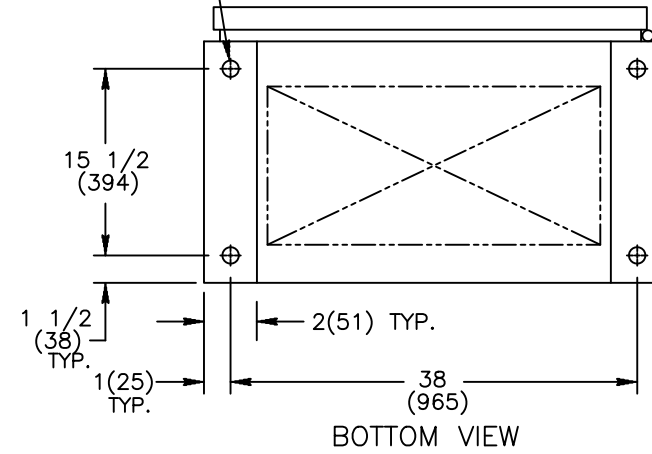
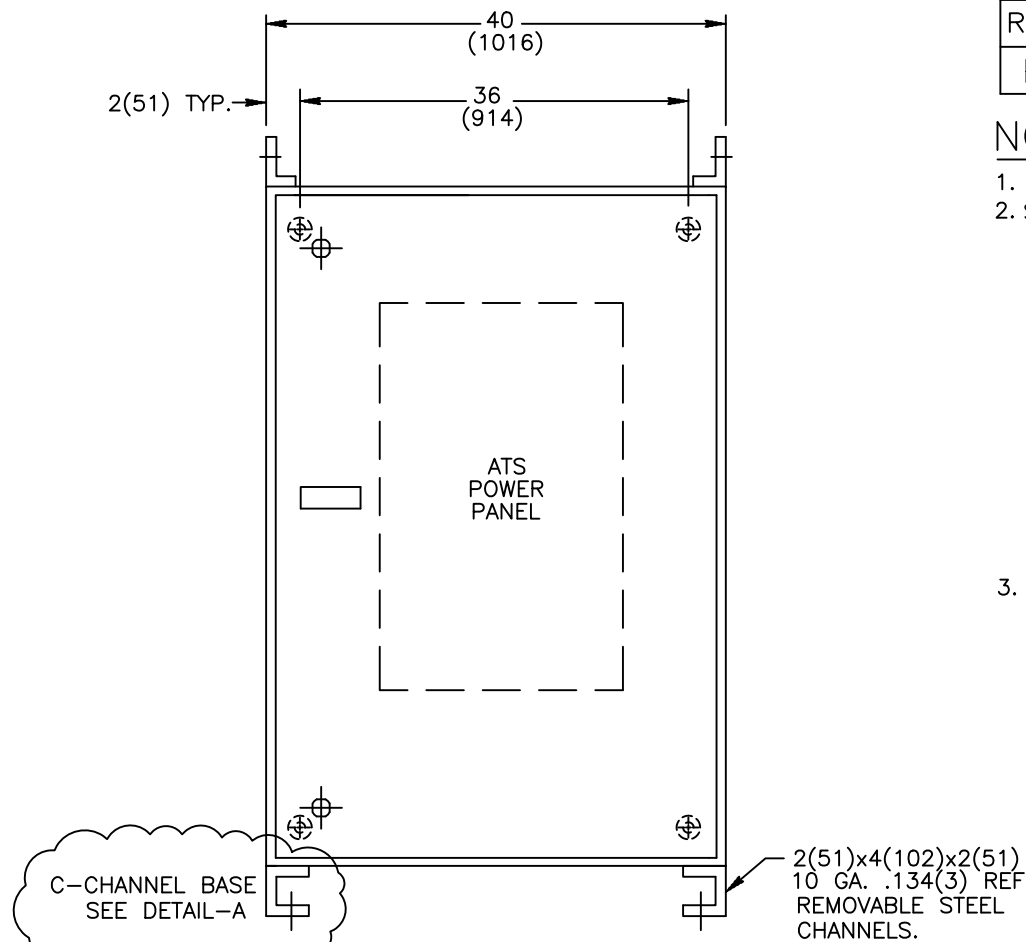
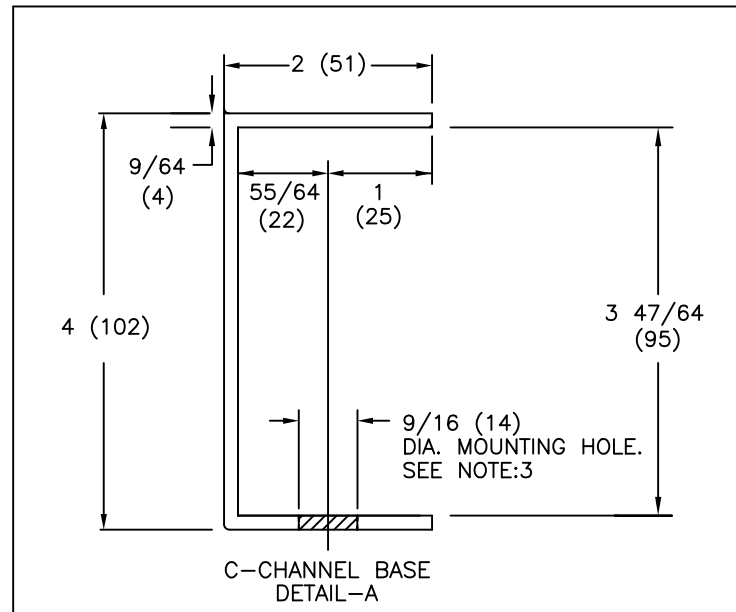
**NOTES:**

- ALL DIMENSIONS ARE FOR REFERENCE ONLY AND SHOWN IN INCHES (MILLIMETERS).
- SEISMIC DATA OF MOST VULNERABLE ATS CONSTRUCTION WITHIN ITS PLATFORM:

MAXIMUM DEFLECTION AT TOP OF GEAR:	$d_{ss}=0.69$ INCHES (18 mm) $d_{fb}=0.21$ INCHES (5 mm)
QUALIFIED BY:	TIME HISTORY SHAKE TABLE TEST IEEE-693-2005-HIGHx2.5 (64 mm) IBC-2003-300%G
RESONANCE FREQUENCIES:	$f_{ss}=10.9$ Hz $f_{fb}=19.5$ Hz $f_v > 33.0$ Hz
MAXIMUM REACTION TO ANY BOLT:	$V_{ss}=945$ LBS (430 KG) SHEAR (DEAD LOAD +/- SEISMIC) $V_{fb}=945$ LBS (430 KG) SHEAR $T_v=1872$ LBS (851 KG) UP $P_v=2613$ LBS (1188 KG) DOWN

- BOLT ENCLOSURE FROM C-CHANNEL BASE (SEE DETAIL A) USING THE FOLLOWING SEISMIC CERTIFIED MOUNTING HARDWARE PER MOUNTING HOLE:  
(HARDWARE PROVIDED BY INSTALLER).
  - 1/2-13 GRADE 5 BOLT TORQUE TO 15 FT-LBS. (95 NEWTON METERS).
  - US STANDARD HIGH STRENGTH ZINC-PLATED FLAT WASHER 5/8 (16) I.D. AND 1-1/2 (38) O.D.
  - 1/2 (13) HELICAL SPRING LOCK WASHER.

MODEL	AMPERAGE	NO. POLES	NEMA CABINET	WEIGHT LB (Kg)
ZTG & ZTGD	1000-1200	2, 3	F-1852MP	475 (216)
		4		560 (254)



SIGNATURES		DATE
MODEL	SG	03/13/01
DETAIL		
CHECKED	CEE	1-26-07
ENGRG		
MFG		
QUALITY		
ISSUED		
DRAWING FILE:	52C-1000-p-1.dwg	
MODEL / ASSEMBLY FILE:	ZTG(D) 1000-1200 AMP	
# CTQs	⊖	CRITICAL TO QUALITY CHARACTERISTIC

**GE Zenith Controls**

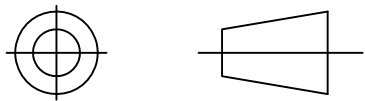
TITLE: NEMA 1 ENCLOSURE SEISMIC MTG. DETAIL

FIRST MADE FOR: 52C-1000

SIZE: B CAGE CODE: DWG NO: 52C-1000

SCALE: N/A SHEET 2 OF 2

THIRD ANGLE PROJECTION



GE PROPRIETARY AND CONFIDENTIAL INFORMATION

This document is the property of General Electric Company ("GE") and contains proprietary information of GE. This document is loaned on the express condition that neither it nor the information contained therein shall be disclosed to others without the express written consent of GE Industrial Systems, and that the information shall be used by the recipient only as approved expressly by GE Industrial Systems. This document shall be returned to GE upon its request. This document may be subject to certain restrictions under U.S. export control laws and regulations.

AutoCad Generated