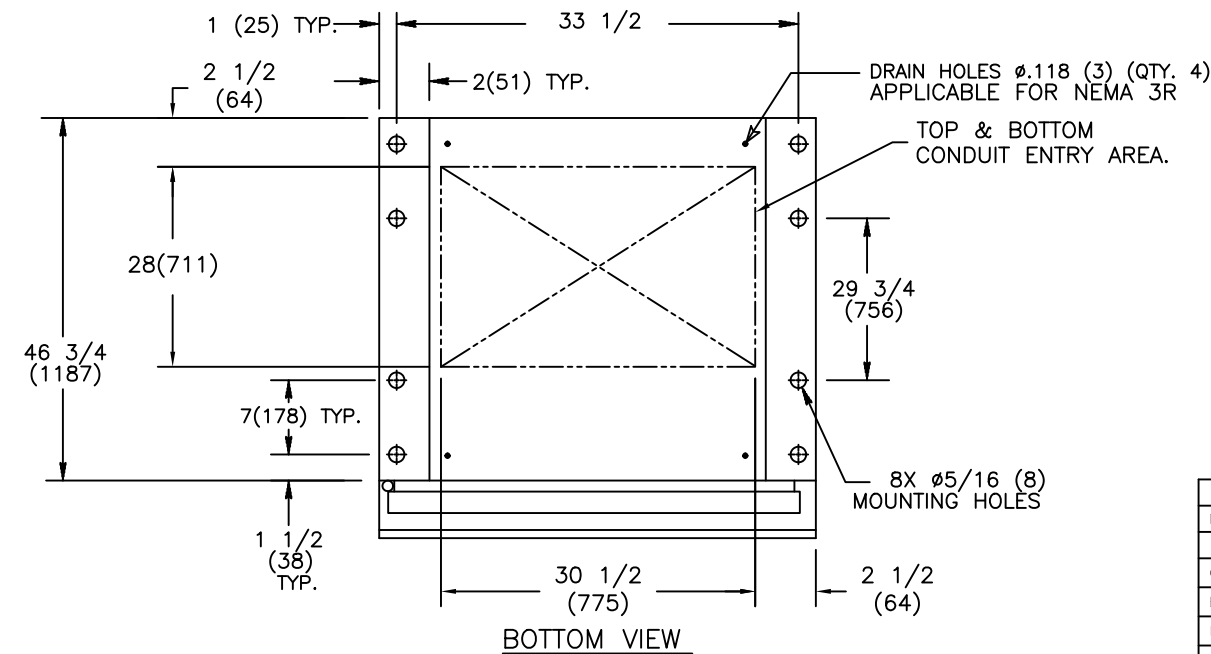
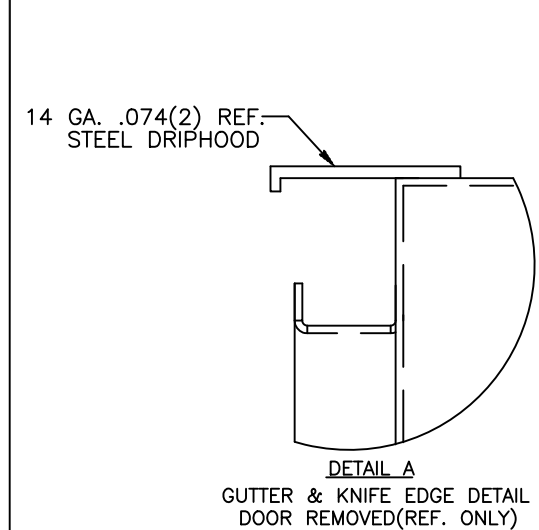


REVISIONS			
REV.	DESCRIPTION	DATE	APPROVED
H	S-8887	08/11/09	YP MAS

MODEL	AMPERAGE	CONTROLLER TYPE	NO. POLES	NEMA CABINET	LUG RANGE	WIRE BENDING SPACE		WIRE GUTTERS		CABINET REAR Y
						P(TOP)	R(BOTTOM)	S(LEFT)	T(RIGHT)	
ZTG(D)	1600-2000	MX-150	2,3	F-1869MP	(QTY 8) #2-600 MCM (33-304mm <sup>2</sup> )	41 1/8 (1045)	20 1/8 (511)	5 3/4 (146)	17 1/4 (438)	23 5/8 (600)
			4						5 3/4 (146)	
	2,3		17 1/4 (438)						16 1/4 (413)	
	4		5 3/4 (146)							
	3000		F-1870MPL	2,3					17 1/4 (438)	
				4					5 3/4 (146)	

- NOTES:
1. MATERIAL: 10 GA. .134(3) 1018 HRS REF. (F-1837MP)
  2. FINISH: ANSI 61 GREY
  3. ALL CABLE ENTRY IN REAR OF CABINET.
  4. WIRING BENDING AND GUTTER SPACES MEASURED AT POINT OF CONNECTION TO LUGS.
  5. ALL DIMENSIONS ARE FOR REFERENCE ONLY AND SHOWN IN INCHES(MILLIMETERS).
  6. ALL SIDE AND REAR DOOR/PANELS SHALL HAVE GUTTER AND KNIFE EDGE FLANGES, AND HAVE HINGES ON THE RIGHT HAND SIDE.
  7. CONSTRUCTION PER UL 1008.
  8. FOR SEISMIC MOUNTING, REFER TO SHEET NO.2.

ON 3000 AMP SWITCH LUGS ARE ORIENTED VERTICALLY



SIGNATURES		DATE
MODEL	SG	02/05/01
DETAIL		
CHECKED		
ENGRG	SB	
MFG		
QUALITY		
ISSUED		
DRAWING FILE:	52c-1005-h-1.dwg	
MODEL / ASSEMBLY FILE:	ZTG(D) 1600-3000 AMP	
# CTQs	⊖ CRITICAL TO QUALITY CHARACTERISTIC	

**GE Zenith Controls**

TITLE: TRANSFER SWITCHES  
NEMA 3R, 4 & 12 ENCLOSURES

FIRST MADE FOR: B

SIZE: B CAGE CODE: DWG NO: 52C-1005

SCALE: N/A SHEET 1 OF 2

THIRD ANGLE PROJECTION

GE PROPRIETARY AND CONFIDENTIAL INFORMATION

This document is the property of General Electric Company ("GE") and contains proprietary information of GE. This document is loaned on the express condition that neither it nor the information contained therein shall be disclosed to others without the express written consent of GE Industrial Systems, and that the information shall be used by the recipient only as approved expressly by GE Industrial Systems. This document shall be returned to GE upon its request. This document may be subject to certain restrictions under U.S. export control laws and regulations.

AutoCad Generated

REVISIONS			
REV.	DESCRIPTION	DATE	APPROVED
H	S-8887	08/11/09	YP MAS

**NOTES:**

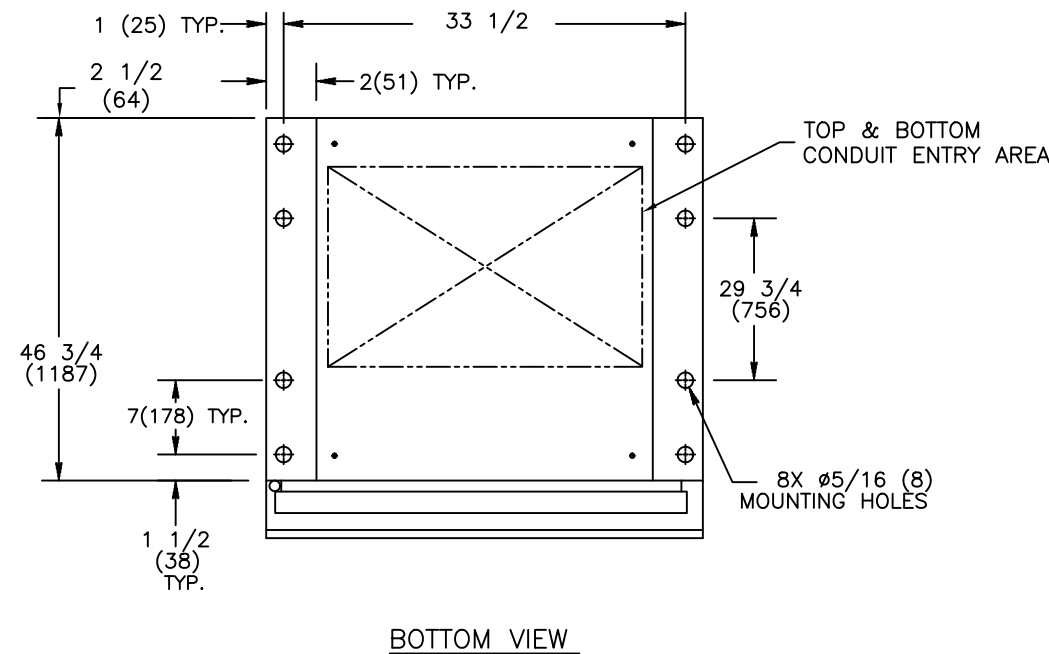
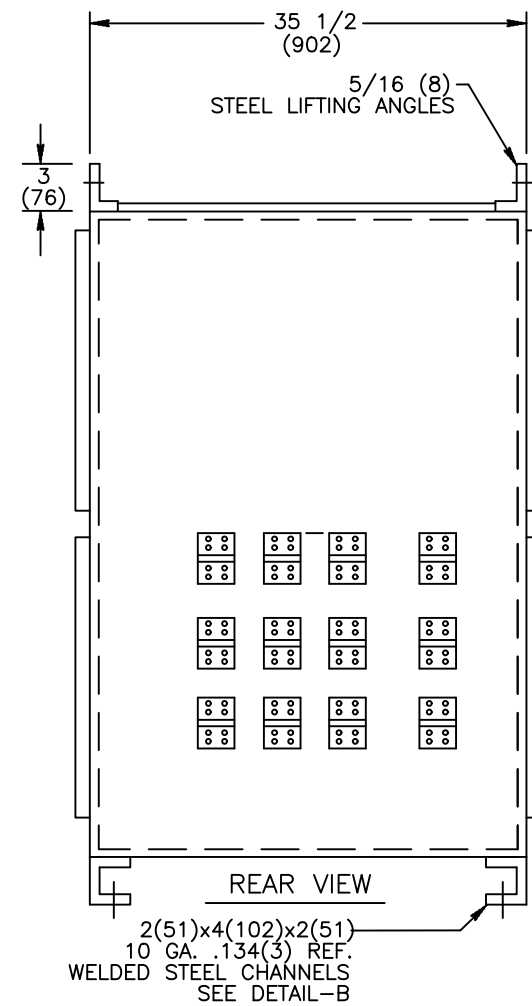
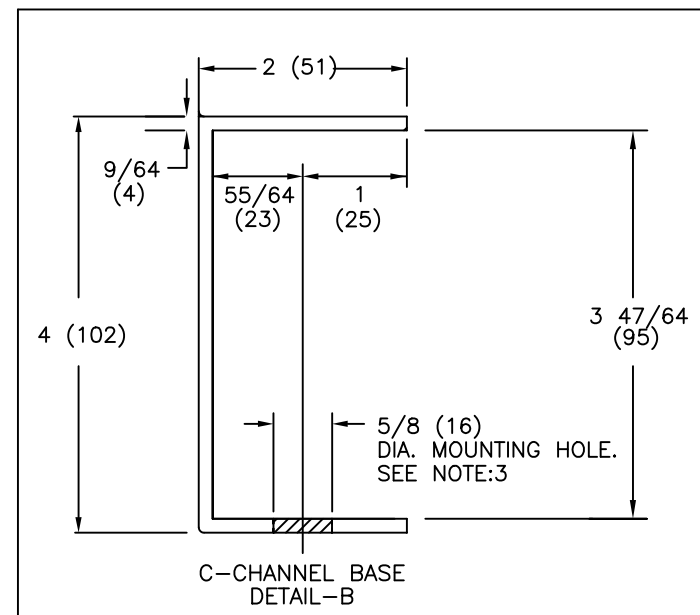
- ALL DIMENSIONS ARE FOR REFERENCE ONLY AND SHOWN IN INCHES (MILLIMETERS).
- SEISMIC DATA OF MOST VULNERABLE ATS CONSTRUCTION WITHIN ITS PLATFORM:

MAXIMUM DEFLECTION AT TOP OF GEAR: $d_{ss}=0.69$ INCHES (18 mm) $d_{fb}=0.21$ INCHES (5 mm)
QUALIFIED BY: TIME HISTORY SHAKE TABLE TEST IEEE-693-2005-HIGHx2.5 (64 mm) IBC-2003-300%G
RESONANCE FREQUENCIES: $f_{ss}=10.9$ Hz $f_{fb}=19.5$ Hz $f_v > 33.0$ Hz
MAXIMUM REACTION TO ANY BOLT: $V_{ss}=945$ LBS (430 KG) SHEAR (DEAD LOAD +/- SEISMIC) $V_{fb}=945$ LBS (430 KG) SHEAR $T_v=1872$ LBS (851 KG) UP $P_v=2613$ LBS (1188 KG) DOWN

- BOLT ENCLOSURE FROM C-CHANNEL BASE (SEE DETAIL B) USING THE FOLLOWING SEISMIC CERTIFIED MOUNTING HARDWARE PER MOUNTING HOLE:  
(HARDWARE PROVIDED BY INSTALLER).

- 1/2-13 GRADE 5 BOLT TORQUE TO 15 FT-LBS. (95 NEWTON METERS).
- US STANDARD HIGH STRENGTH ZINC-PLATED FLAT WASHER 5/8 (16) I.D. AND 1-1/2 (38) O.D.
- 1/2 (13) HELICAL SPRING LOCK WASHER.

MODEL	AMPERAGE	NO. POLES	NEMA CABINET	WEIGHT LB (Kg)
ZTG & ZTGD	1600-2000	2, 3	F-1869MP	1110 (503)
		4		1260 (572)
	2600	2, 3		1230 (558)
		4		1480 (671)
3000	2, 3	F-1870MPL	1230 (558)	
	4		1480 (671)	



SIGNATURES		DATE
MODEL	SG	02/05/01
DETAIL		
CHECKED		
ENGRG	SB	
MFG		
QUALITY		
ISSUED		
DRAWING FILE:	52c-1005-h-1.dwg	
MODEL / ASSEMBLY FILE:	ZTG(D) 1600-3000 AMP	
# CTQs	⊖ CRITICAL TO QUALITY CHARACTERISTIC	

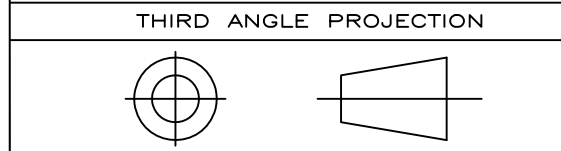
**GE Zenith Controls**

TITLE: NEMA 3R ENCLOSURES SEISMIC MOUNTING DETAILS

FIRST MADE FOR: 52C-1005

SIZE: B CAGE CODE: DWG NO: 52C-1005

SCALE: N/A SHEET 2 OF 2



GE PROPRIETARY AND CONFIDENTIAL INFORMATION

This document is the property of General Electric Company ("GE") and contains proprietary information of GE. This document is loaned on the express condition that neither it nor the information contained therein shall be disclosed to others without the express written consent of GE Industrial Systems, and that the information shall be used by the recipient only as approved expressly by GE Industrial Systems. This document shall be returned to GE upon its request. This document may be subject to certain restrictions under U.S. export control laws and regulations.

AutoCad Generated