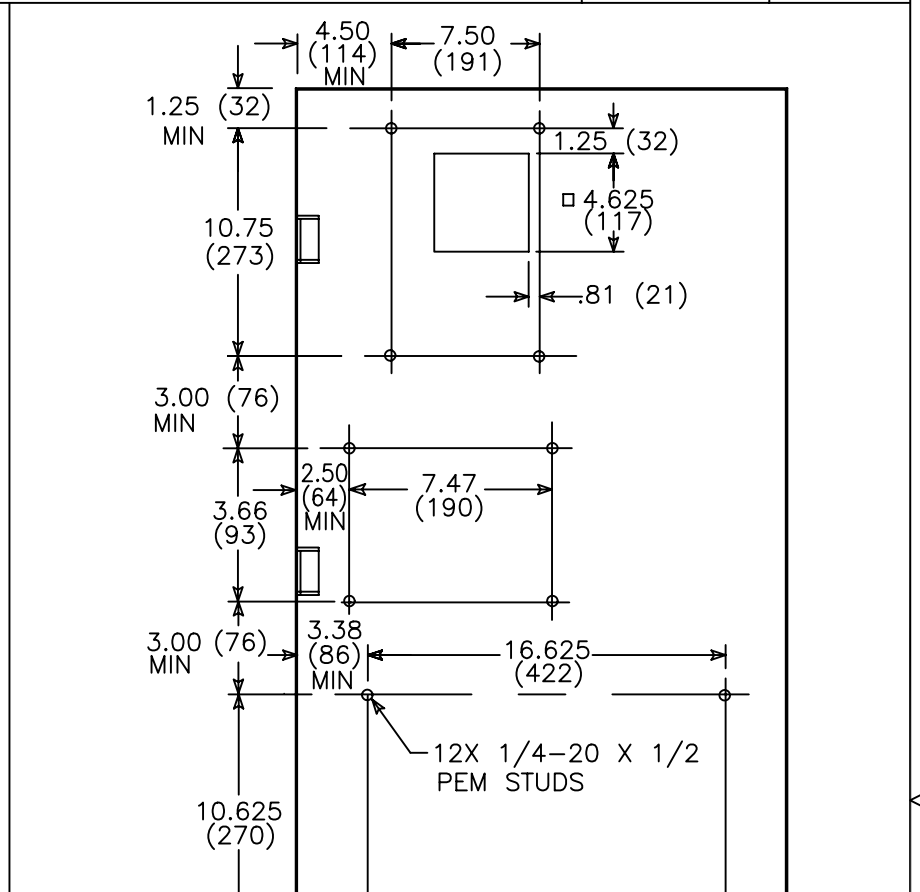
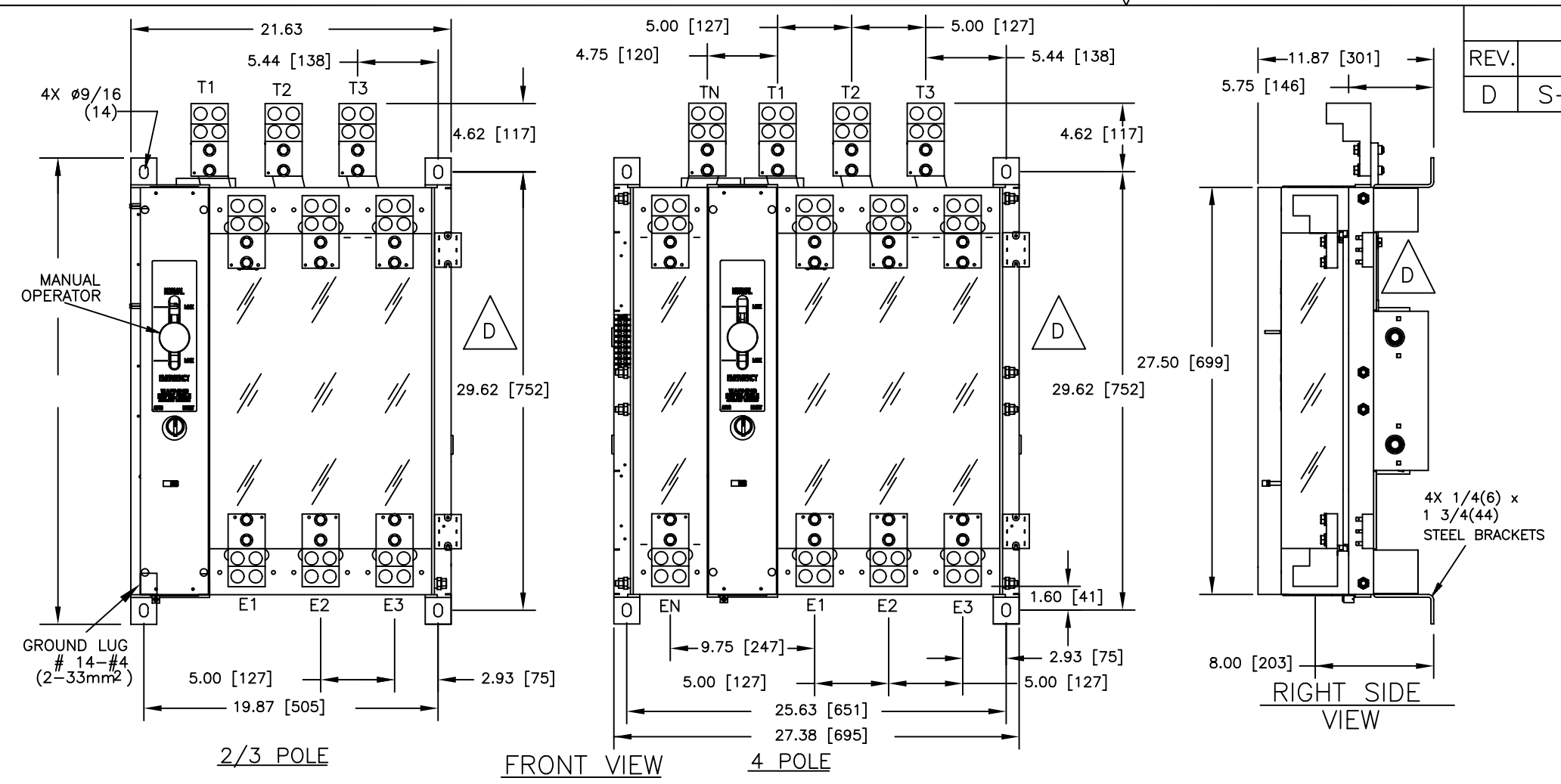


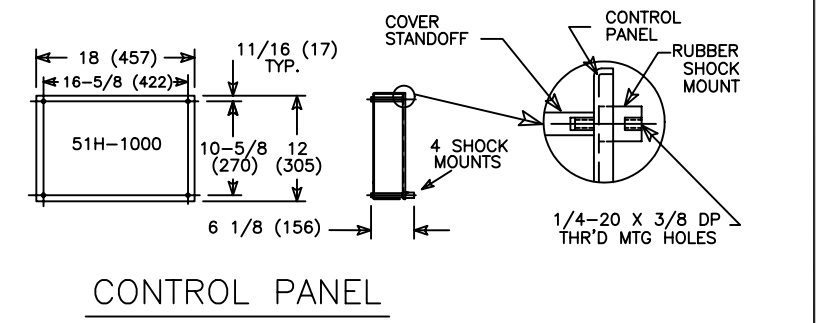
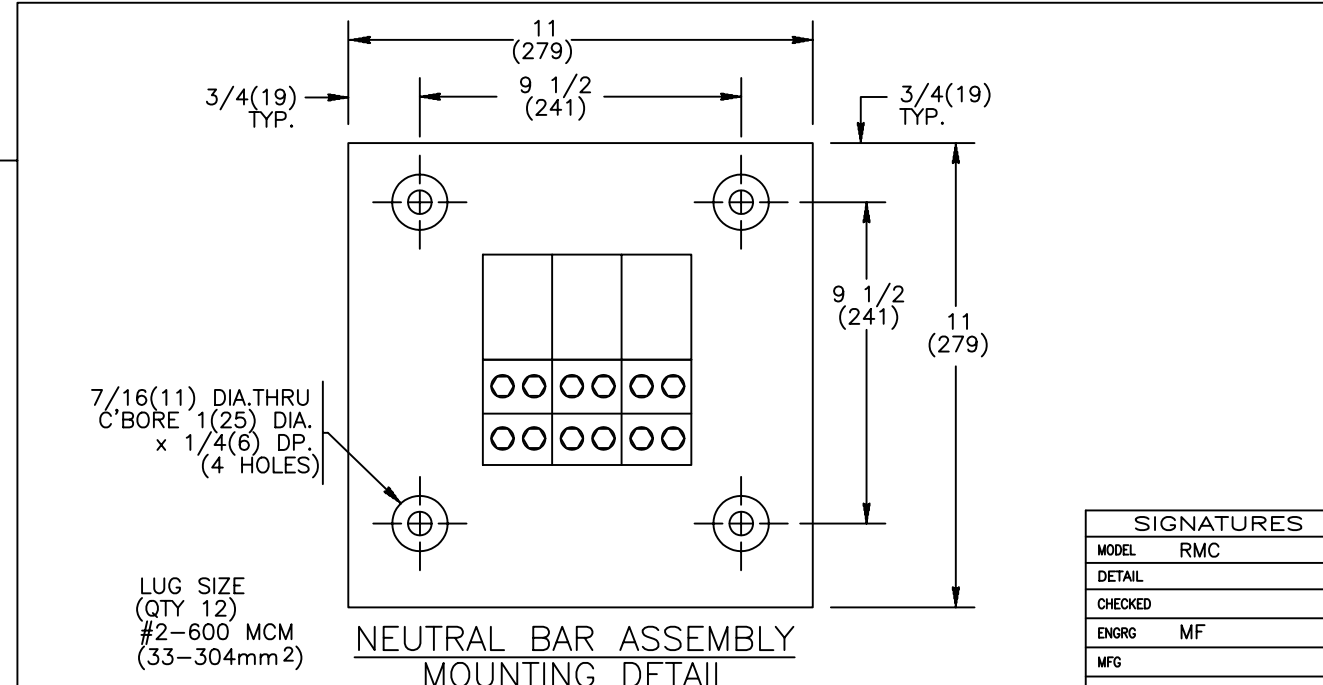


REVISIONS			
REV.	DESCRIPTION	DATE	APPROVED
D	S-8154	08/24/04	GG MF



		LUG SIZE
1000-1200A	(QTY 4)	#2- 600 MCM (21-304mm <sup>2</sup> )

- NOTES:
- FOR 2-POLE SWITCHES, OMIT CENTER POLE.
  - OPEN TYPE SWITCH SUPPLIED WITH 6 FT. (1,8m) LONG HARNESS BETWEEN POWER AND CONTROL PANELS. HARNESS EXITS FROM LOWER RIGHT CORNER OF POWER PANEL.
  - DO NOT RUN CABLES IN FRONT OF SWITCH. RUN ALL CABLES ON RIGHT SIDE.
  - MAINTAIN ELECTRICAL CLEARANCE OF 1" (25mm) MIN. BETWEEN LIVE METAL PARTS AND GROUNDED METAL.
  - DIMENSIONS FOR 3-POLE AND 4-POLE SWITCHES ARE IDENTICAL EXCEPT AS NOTED.
  - ALL DIMENSIONS ARE FOR REFERENCE ONLY AND SHOWN IN INCHES(MILLIMETERS).



SIGNATURES		DATE
MODEL	RMC	9/18/96
DETAIL		
CHECKED		
ENGRG	MF	9/18/96
MFG		
QUALITY		
ISSUED		
DRAWING FILE:	52c-2003-d-1.dwg	
MODEL / ASSEMBLY FILE:	ZTG 1000-1200 AMP	
# CTQs	CRITICAL TO QUALITY CHARACTERISTIC	

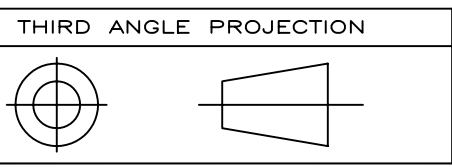
**GE Zenith Controls**

TITLE: TRANSFER SWITCH FRONT LUGS

FIRST MADE FOR: ZTG 1000-1200 AMP

SIZE: B CAGE CODE: DWG NO: 52C-2003

SCALE: N/A SHEET 1 OF 1



GE PROPRIETARY AND CONFIDENTIAL INFORMATION

This document is the property of General Electric Company ("GE") and contains proprietary information of GE. This document is loaned on the express condition that neither it nor the information contained therein shall be disclosed to others without the express written consent of GE Industrial Systems, and that the information shall be used by the recipient only as approved expressly by GE Industrial Systems. This document shall be returned to GE upon its request. This document may be subject to certain restrictions under U.S. export control laws and regulations.

AutoCad Generated

