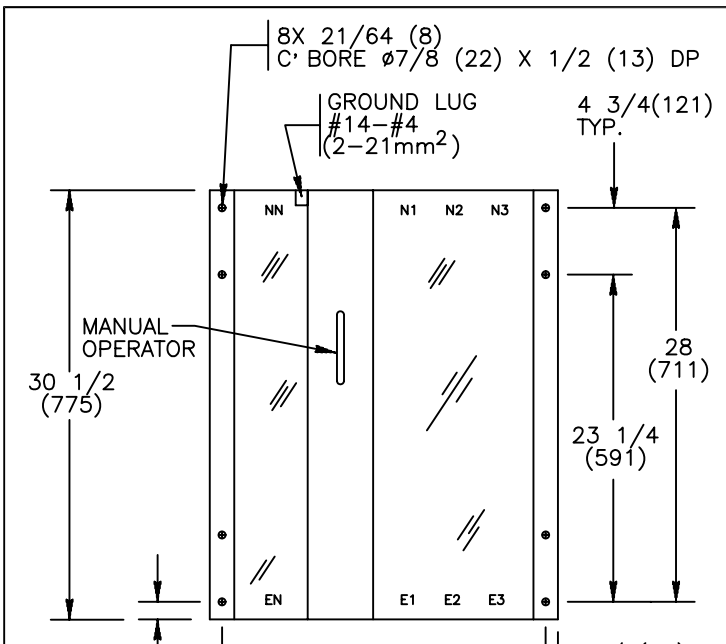
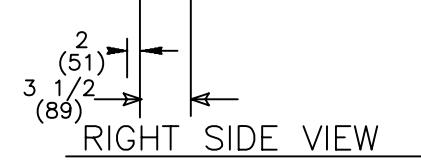
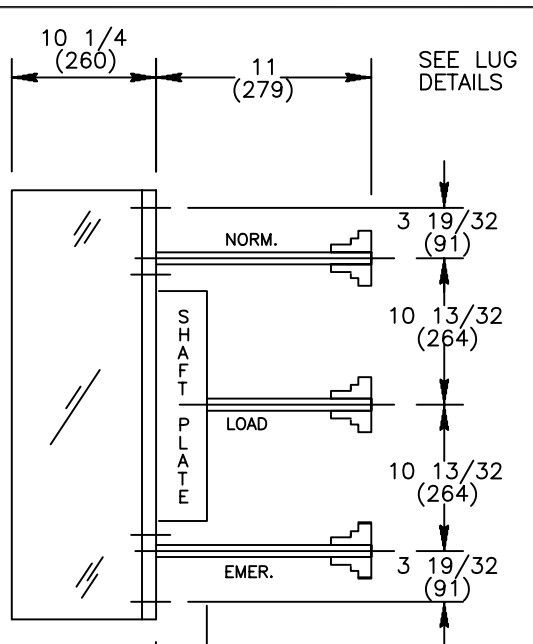




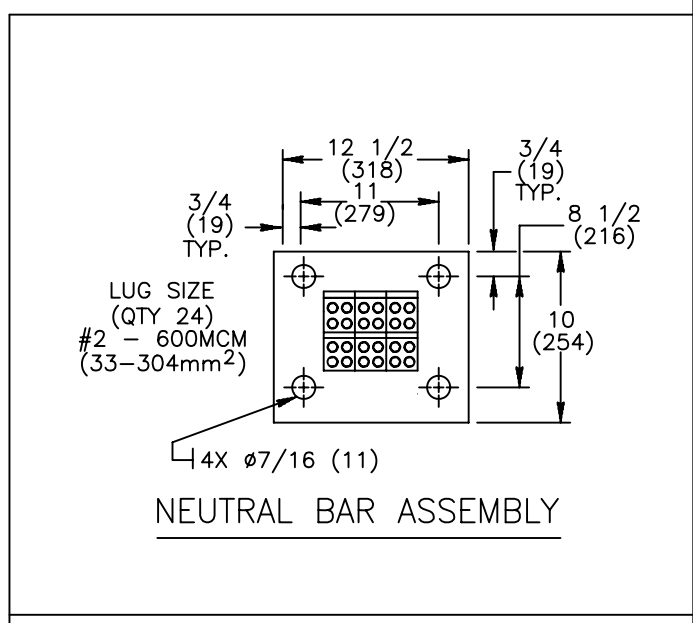
REVISIONS			
REV.	DESCRIPTION	DATE	APPROVED
C	S-8039 REVISED DWG	4/19/04	GG BL



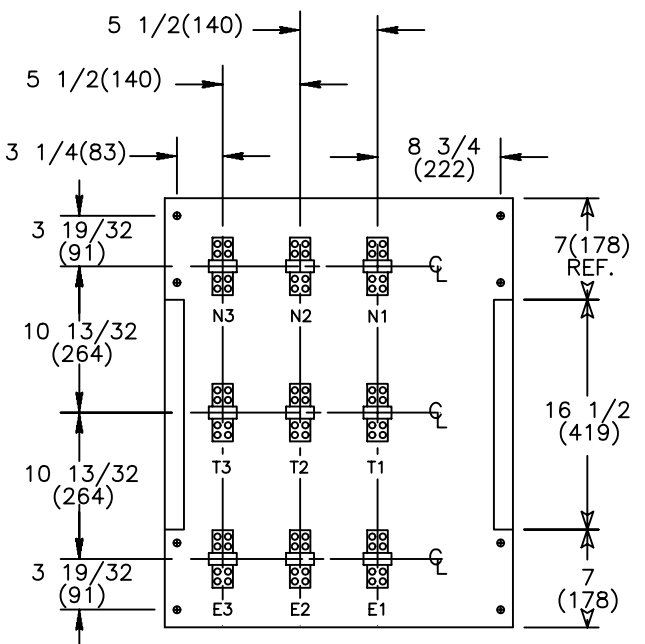
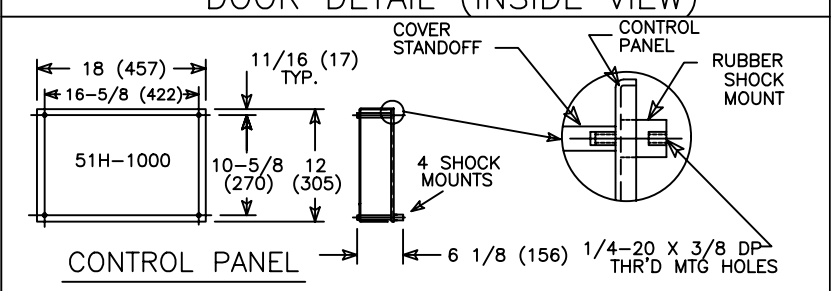
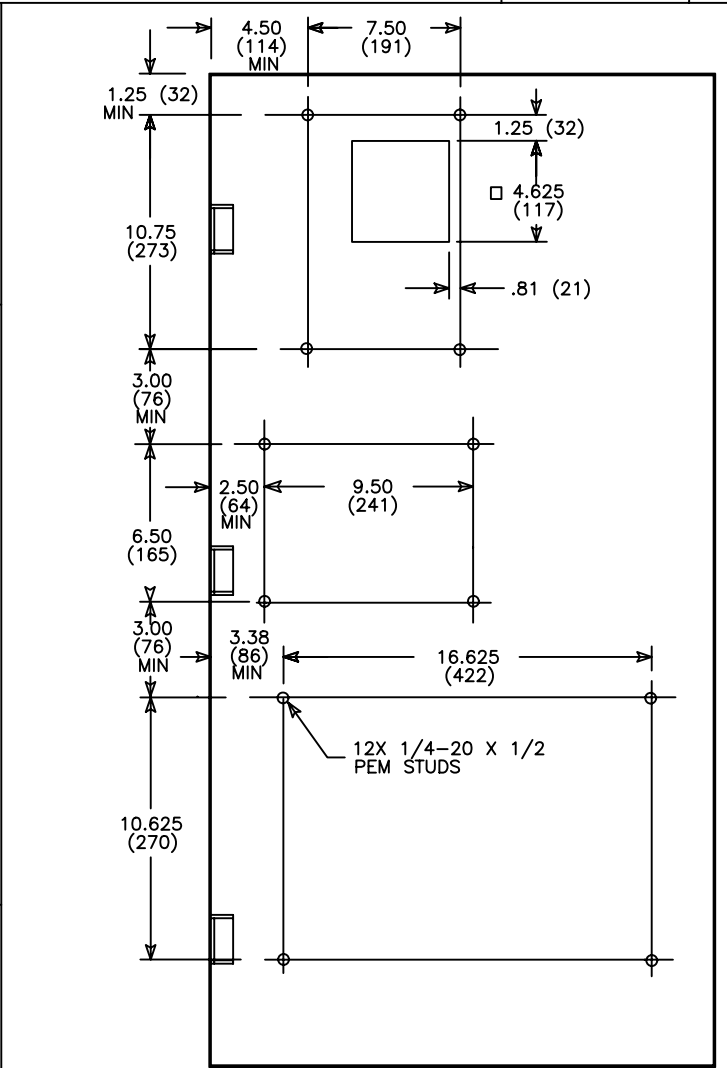
A	
2/3-POLE	23 (584)
4-POLE	28 1/2 (724)



LUG SIZE	
1600-2000A (QTY 8)	#2-600 MCM (21-304mm²)

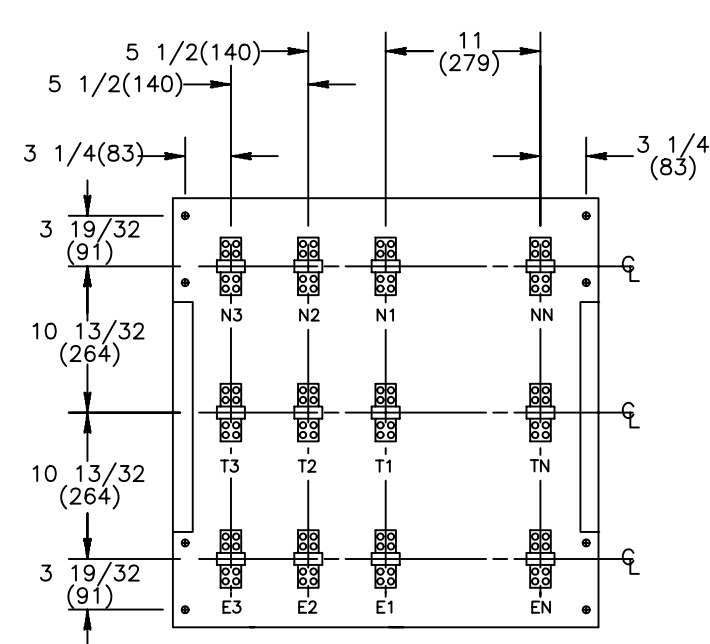


- NOTES:
- FOR 2-POLE SWITCHES, OMIT CENTER POLE.
 - OPEN TYPE SWITCH SUPPLIED WITH 6 FT. (1.8m) LONG HARNESS BETWEEN POWER AND CONTROL PANELS. HARNESS EXITS FROM LOWER RIGHT CORNER OF POWER PANEL.
 - DO NOT RUN CABLES IN FRONT OF SWITCH. RUN ALL CABLES ON RIGHT SIDE.
 - MAINTAIN ELECTRICAL CLEARANCE OF 1(25mm) MIN. BETWEEN LIVE METAL PARTS AND GROUNDED METAL.
 - ALL DIMENSIONS ARE FOR REFERENCE ONLY AND SHOWN IN INCHES(MILLIMETERS).



2/3-POLE SWITCH

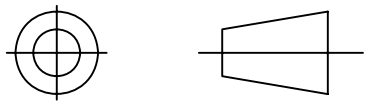
LUG DETAILS (REAR VIEW)



4-POLE SWITCH

LUG DETAILS (REAR VIEW)

THIRD ANGLE PROJECTION



GE PROPRIETARY AND CONFIDENTIAL INFORMATION

This document is the property of General Electric Company ("GE") and contains proprietary information of GE. This document is loaned on the express condition that neither it nor the information contained therein shall be disclosed to others without the express written consent of GE Industrial Systems, and that the information shall be used by the recipient only as approved expressly by GE Industrial Systems. This document shall be returned to GE upon its request. This document may be subject to certain restrictions under U.S. export control laws and regulations.

AutoCad Generated

SIGNATURES		DATE
MODEL	EC	5/11/98
DETAIL		
CHECKED		
ENGRG	SB	5/11/98
MFG		
QUALITY		
ISSUED		
DRAWING FILE:	52c-2009-c-1.dwg	
MODEL / ASSEMBLY FILE:	ZTG 1600-2000 AMP	
# CTQs	CRITICAL TO QUALITY CHARACTERISTIC	

GE Zenith Controls

TITLE: TRANSFER SWITCH REAR LUGS

FIRST MADE FOR: ZTG 1600-2000 AMP 2,3 4 POLES

SIZE	CAGE CODE	DWG NO
B		52C-2009

SCALE: NA SHEET 1 OF 1

