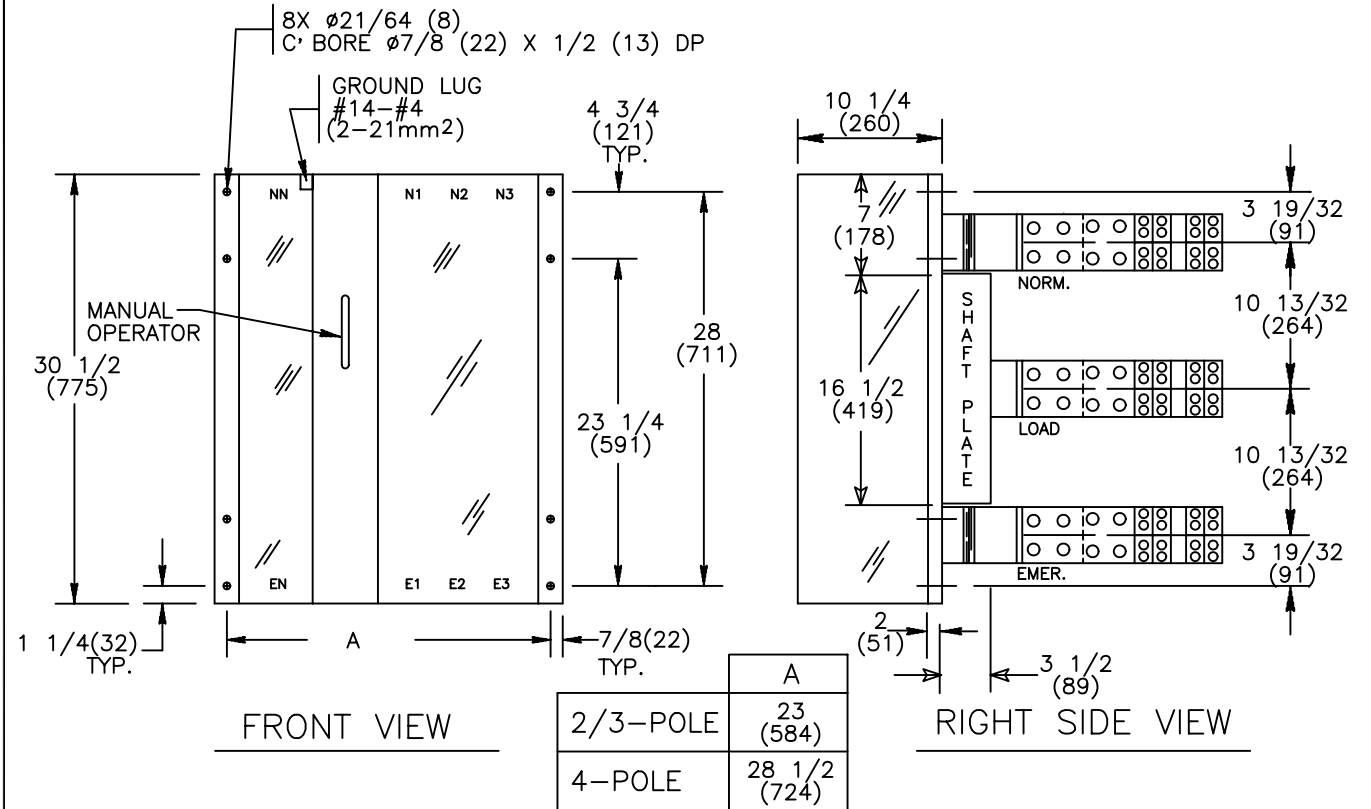


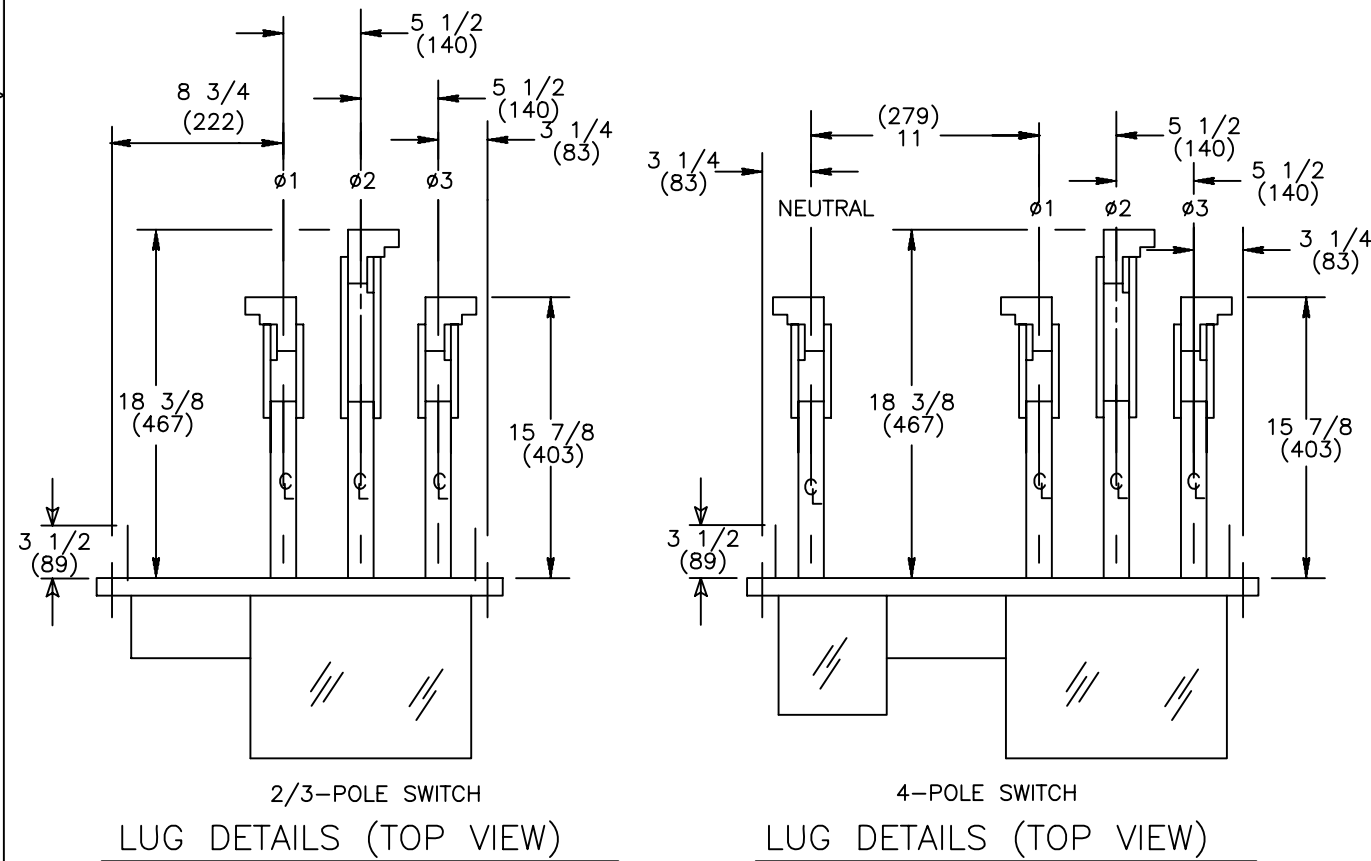
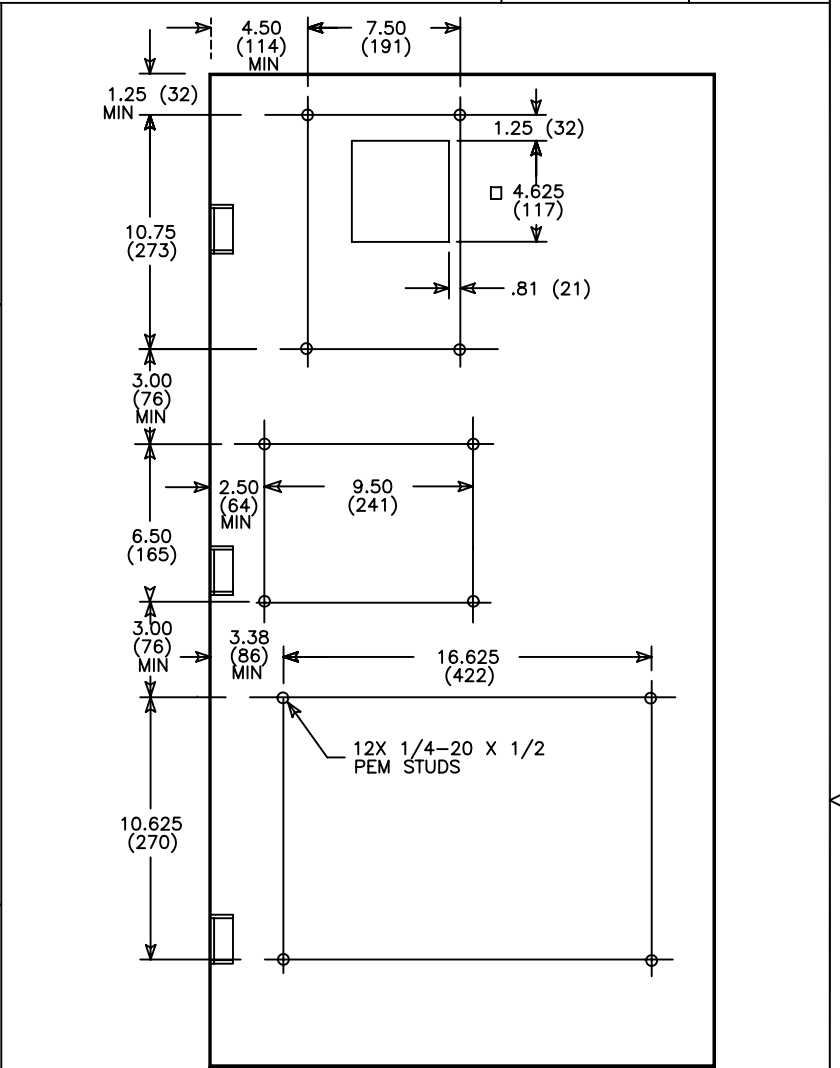
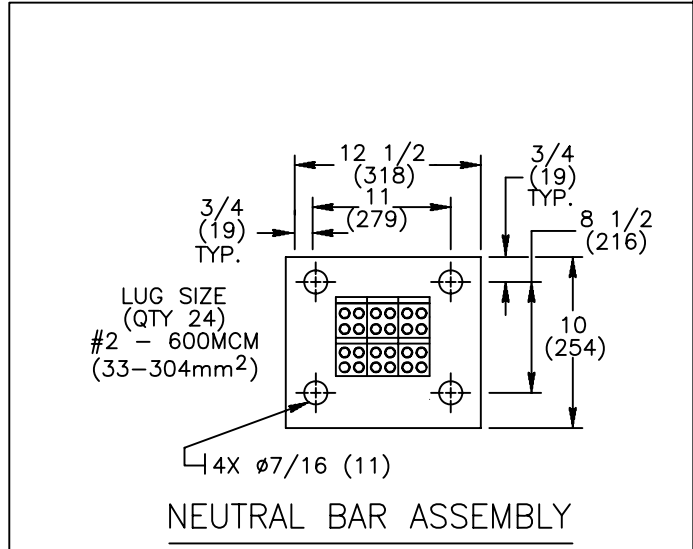


REVISIONS			
REV.	DESCRIPTION	DATE	APPROVED
B	S-8039	4/19/04	GG BL



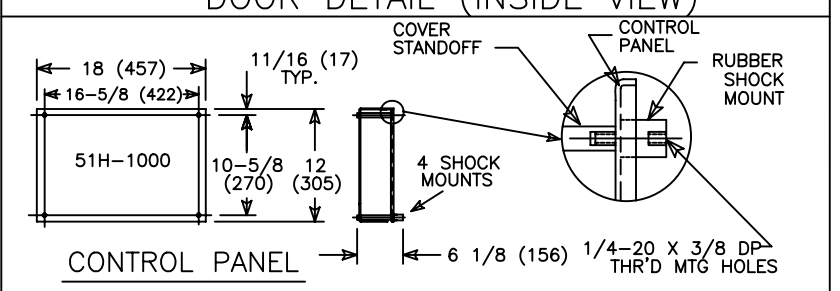
	A
2/3-POLE	23 (584)
4-POLE	28 1/2 (724)

LUG SIZE	
2600-3000A (QTY 8)	#2- 600 MCM (21-304mm ²)



NOTES:

- FOR 2-POLE SWITCHES, OMIT CENTER POLE.
- OPEN TYPE SWITCH SUPPLIED WITH 6 FT. (1.8m) LONG HARNESS BETWEEN POWER AND CONTROL PANELS. HARNESS EXITS FROM LOWER RIGHT CORNER OF POWER PANEL.
- DO NOT RUN CABLES IN FRONT OF SWITCH. RUN ALL CABLES ON RIGHT SIDE.
- MAINTAIN ELECTRICAL CLEARANCE OF 1(25mm) MIN. BETWEEN LIVE METAL PARTS AND GROUNDED METAL.
- ALL DIMENSIONS ARE FOR REFERENCE ONLY AND SHOWN IN INCHES(MILLIMETERS).



SIGNATURES		DATE
MODEL	SG	8/17/98
DETAIL		
CHECKED		
ENGRG	SB	8/17/98
MFG		
QUALITY		
ISSUED		
DRAWING FILE:	52c-2011-b-1.dwg	
MODEL / ASSEMBLY FILE:	ZTG 2600-3000 AMP 2, 3, 4 POLES	
# CTQs	CRITICAL TO QUALITY CHARACTERISTIC	

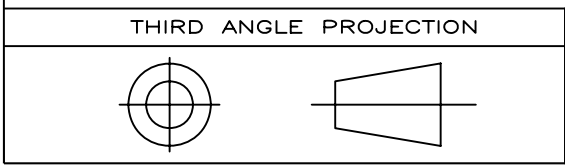
GE Zenith Controls

TITLE: **TRANSFER SWITCH REAR LUGS**

FIRST MADE FOR: ZTG 2600-3000 AMP 2, 3, 4 POLES

SIZE: B CAGE CODE: DWG NO: 52C-2011

SCALE: NA SHEET 1 OF 1



GE PROPRIETARY AND CONFIDENTIAL INFORMATION

This document is the property of General Electric Company ("GE") and contains proprietary information of GE. This document is loaned on the express condition that neither it nor the information contained therein shall be disclosed to others without the express written consent of GE Industrial Systems, and that the information shall be used by the recipient only as approved expressly by GE Industrial Systems. This document shall be returned to GE upon its request. This document may be subject to certain restrictions under U.S. export control laws and regulations.

AutoCad Generated

