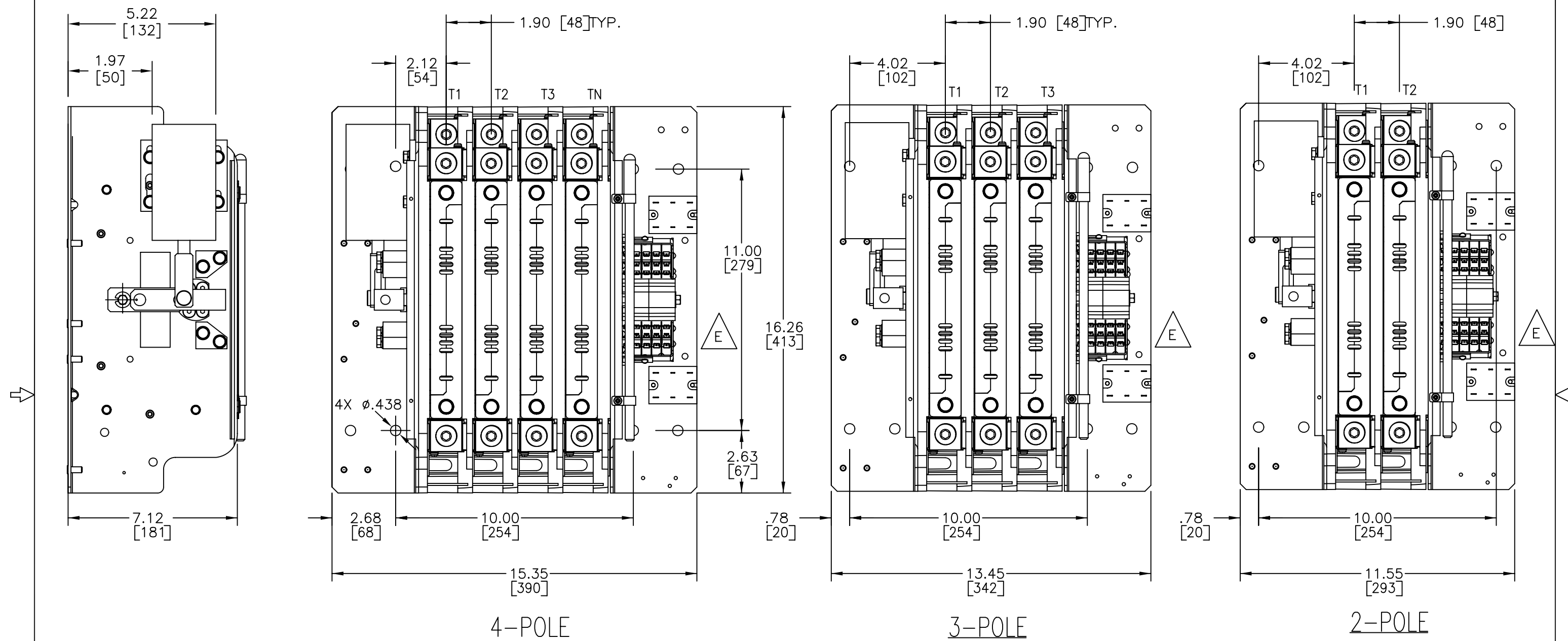


REVISIONS			
REV.	DESCRIPTION	DATE	APPROVED
E	S-8154	08/24/04	GG MF



- NOTES:**
- DO NOT RUN CABLES IN FRONT OF SWITCH. RUN ALL CABLES ON THE RIGHT SIDE.
 - MAINTAIN ELECTRICAL CLEARANCE OF 1" (25.4mm) MIN. BETWEEN LIVE METAL PARTS AND GROUNDED METAL.
 - ALL DIMENSIONS ARE FOR REFERENCE ONLY AND ARE SHOWN IN INCHES(MILLIMETERS).

		LUG SIZE
400A	(QTY 1)	#4- 600 MCM (33-304mm ²)

SIGNATURES		DATE
MODEL	GG	08/24/04
DETAIL		
CHECKED		
ENGRG	FS	
MFG		
QUALITY		
ISSUED		
DRAWING FILE: 52c-2013-e-1.dwg		
MODEL / ASSEMBLY FILE: ZTG4 400A		
# CTQs		

GE Zenith Controls

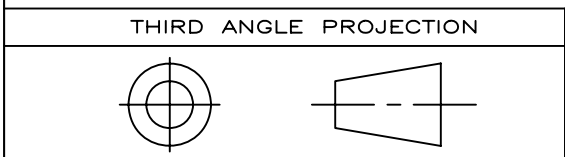
TITLE: TRANSFER SWITCH
ZTG4 400 AMP

FIRST MADE FOR: ZTG4 400A

SIZE	CAGE CODE	DWG NO
B		52C-2013

SCALE: N/A

SHEET 1 OF 2



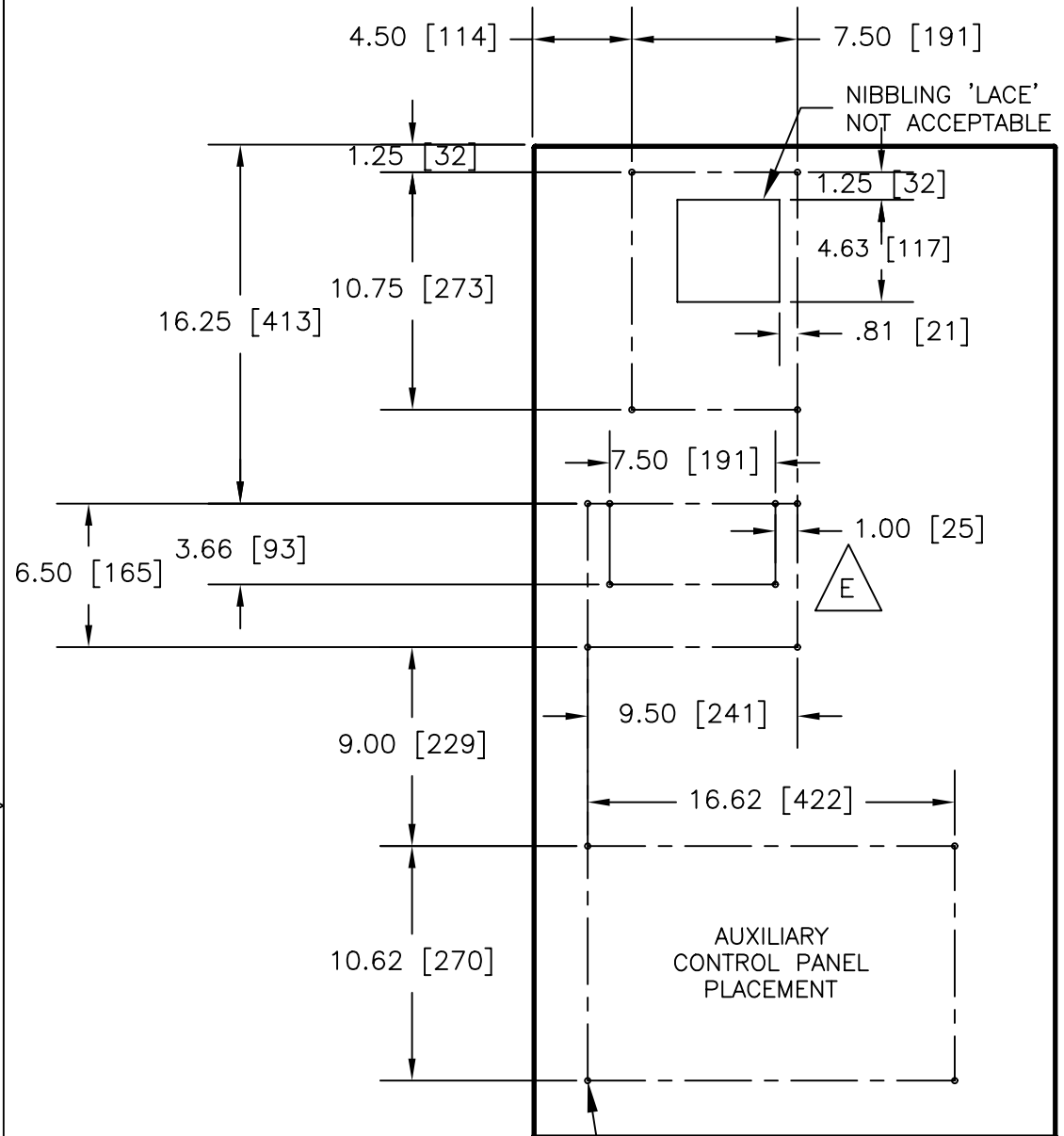
GE PROPRIETARY AND CONFIDENTIAL INFORMATION

This document is the property of General Electric Company ("GE") and contains proprietary information of GE. This document is loaned on the express condition that neither it nor the information contained therein shall be disclosed to others without the express written consent of GE Industrial Systems, and that the information shall be used by the recipient only as approved expressly by GE Industrial Systems. This document shall be returned to GE upon its request. This document may be subject to certain restrictions under U.S. export control laws and regulations.

AutoCad Generated

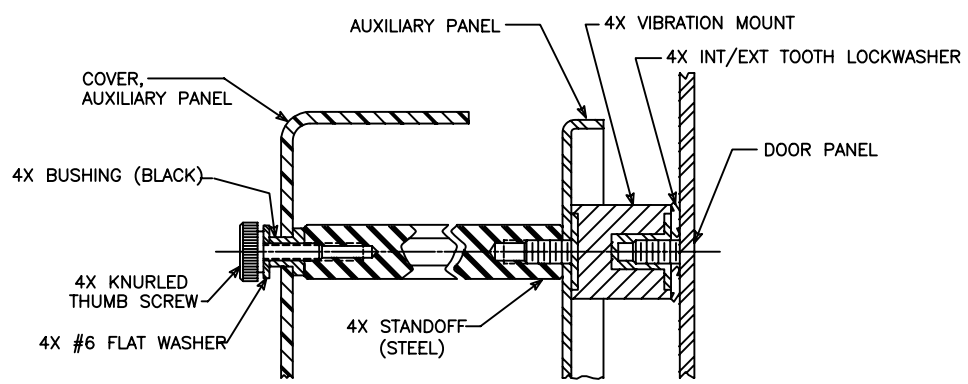
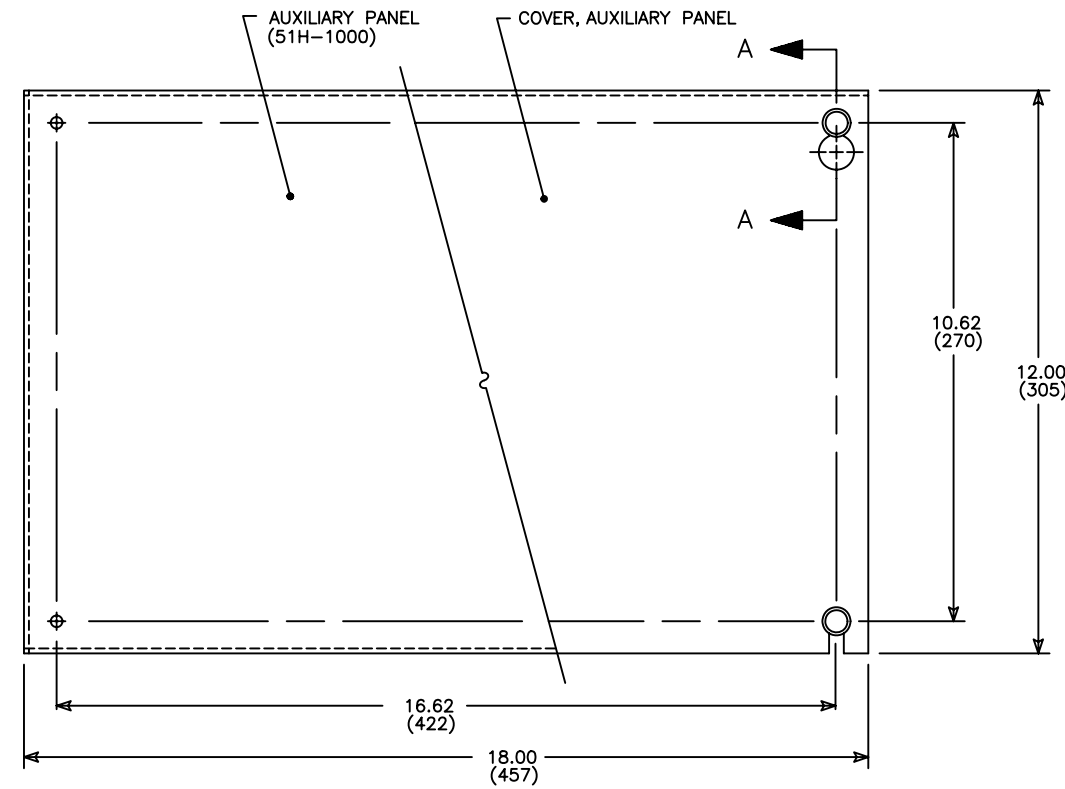


DOOR DETAIL (INSIDE VIEW)



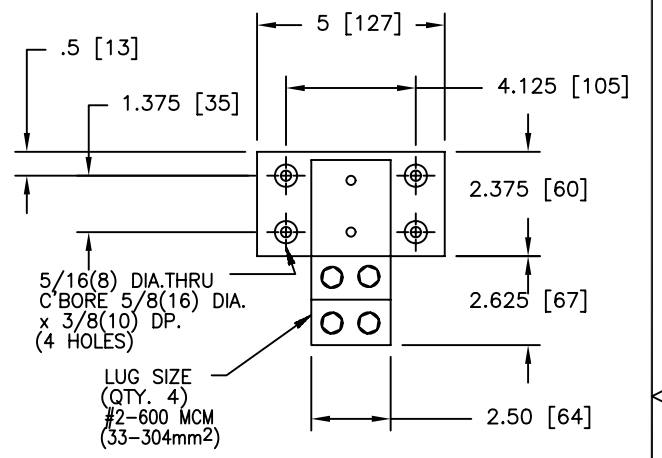
12X 1/4-20 X .50 WELD STUDS
1/4-20 X .63 PEM STUDS
(TYPE FH ON INSIDE OF DOOR)

AUXILIARY CONTROL PANEL



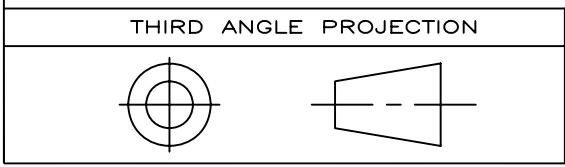
SECTION A-A

REVISIONS			
REV.	DESCRIPTION	DATE	APPROVED
E	S-8154	08/24/04	GG MF



NEUTRAL BAR ASSEMBLY

- NOTES:
- DO NOT RUN CABLES IN FRONT OF SWITCH. RUN ALL CABLES ON THE RIGHT SIDE.
 - MAINTAIN ELECTRICAL CLEARANCE OF 1" (25.4mm) MIN. BETWEEN LIVE METAL PARTS AND GROUNDED METAL.
 - ALL DIMENSIONS ARE FOR REFERENCE ONLY AND ARE SHOWN IN INCHES (MILLIMETERS).



GE PROPRIETARY AND CONFIDENTIAL INFORMATION

This document is the property of General Electric Company ("GE") and contains proprietary information of GE. This document is loaned on the express condition that neither it nor the information contained therein shall be disclosed to others without the express written consent of GE Industrial Systems, and that the information shall be used by the recipient only as approved expressly by GE Industrial Systems. This document shall be returned to GE upon its request. This document may be subject to certain restrictions under U.S. export control laws and regulations.

SIGNATURES		DATE
MODEL	GG	08/24/04
DETAIL		
CHECKED		
ENGRG	MF	
MFG		
QUALITY		
ISSUED		
DRAWING FILE:	52c-2013-e-2.dwg	
MODEL / ASSEMBLY FILE:	ZTG4 400 AMP	
# CTQs	⊖ CRITICAL TO QUALITY CHARACTERISTIC	

GE Zenith Controls

TITLE: TRANSFER SWITCH ZTG4 400 AMP

FIRST MADE FOR: ZTG4 400 AMP

SIZE	CAGE CODE	DWG NO
B		52C-2013

SCALE: N/A SHEET 2 OF 2

AutoCad Generated