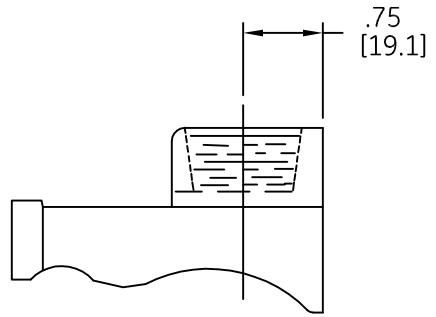
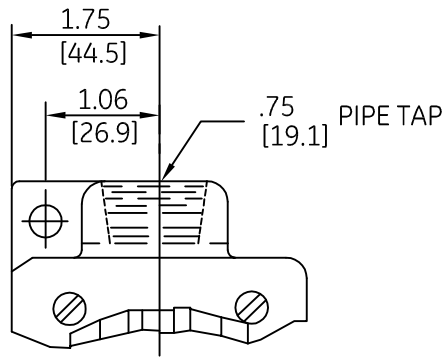
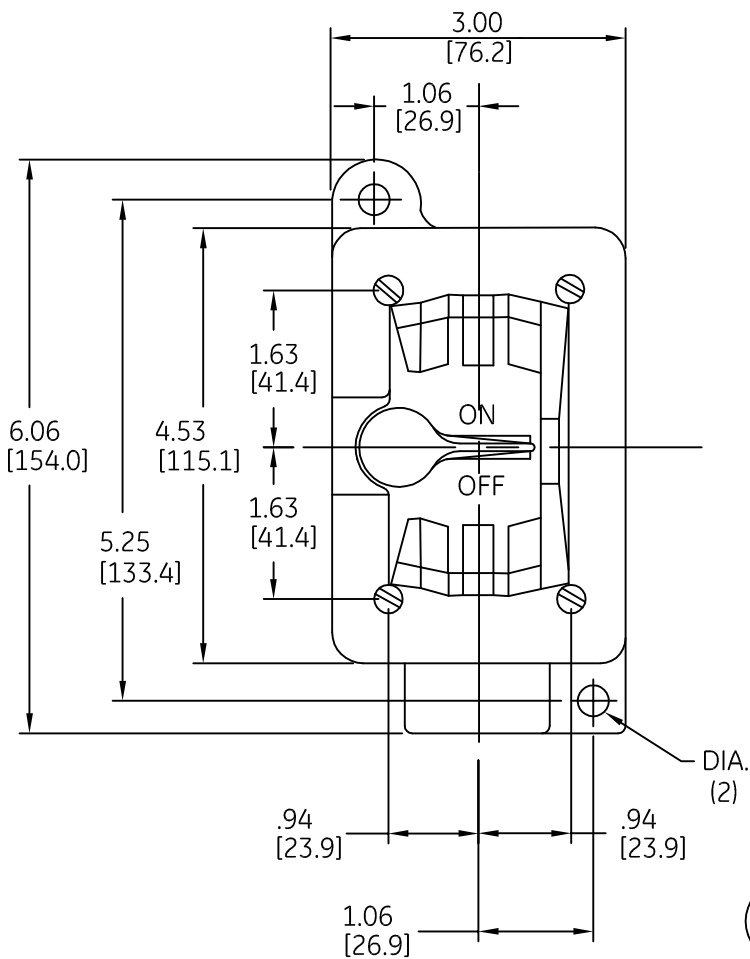


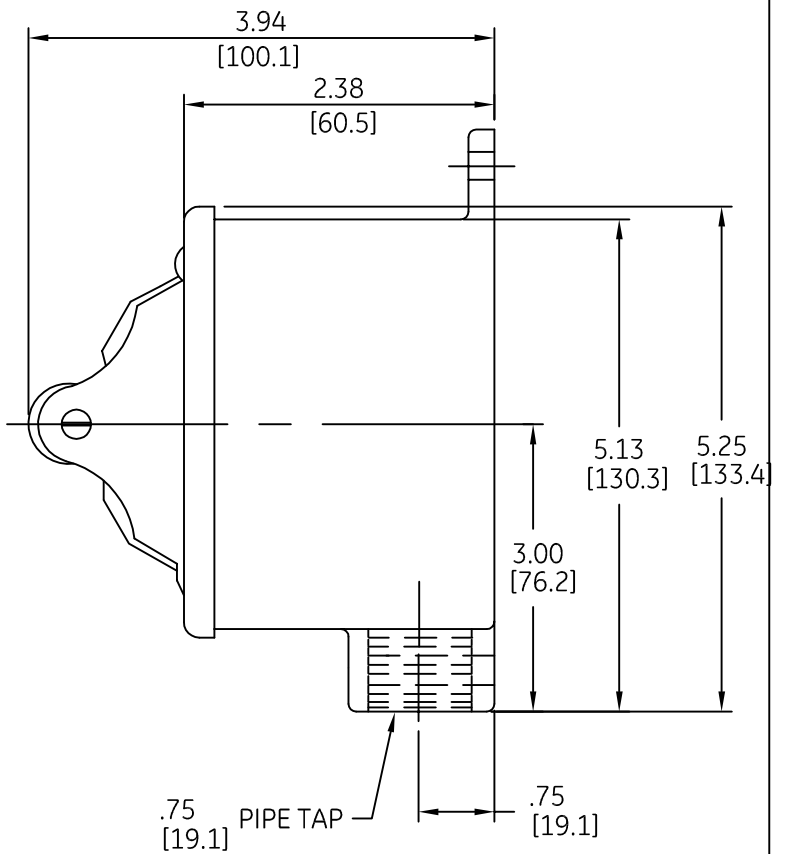
DUAL DIMENSIONS INCHES [MILLIMETERS] (ESTIMATING ONLY)



2 CONDUIT OPENINGS TOP AND BOTTOM OTHERWISE SAME AS P-1



1

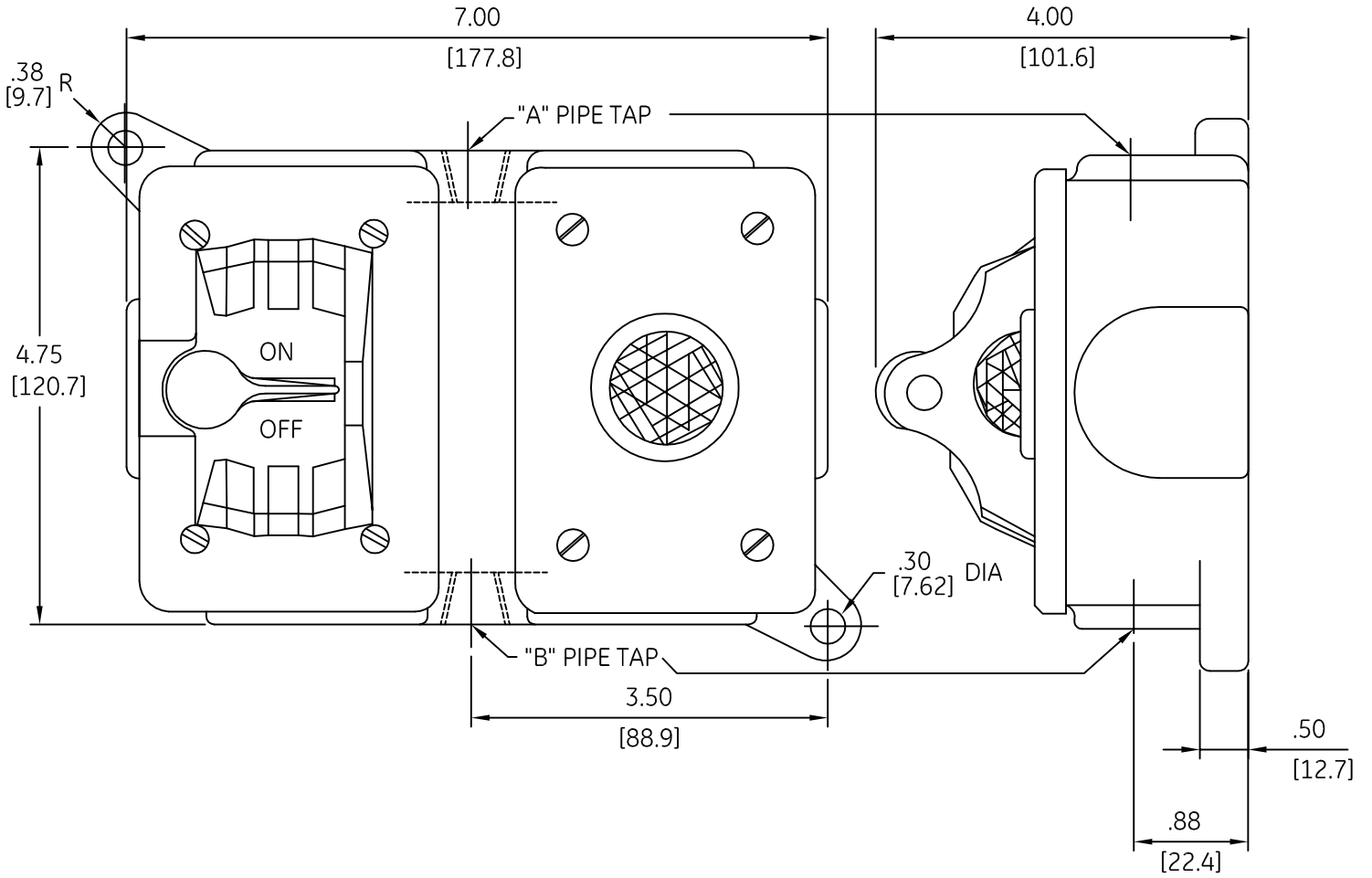


OUTLINE
CR101 TYPE 4

AN #	THIRD ANGLE PROJECTION	SHEET #
09-9107		1 OF 2

DWG NO.	DATE	REV
545A753	08/10/2009	6

DUAL DIMENSIONS INCHES (ESTIMATING ONLY)
[MILLIMETERS]



PT	A	B
3	0.75 [19.1]	—
4	0.75 [19.1]	0.75 [19.1]
5	1.00 [25.4]	—
6	1.00 [25.4]	1.00 [25.4]



imagination at work

OUTLINE
CR101 TYPE 4

AN #	THIRD ANGLE PROJECTION	SHEET #
09-9107		2 OF 2

DWG NO.

545A753

DATE

08/06/2009

REV

2