

- FOR CSA-GND KIT
- |                  |               |
|------------------|---------------|
| 1/2-IN CONDUIT   | 55-213403G001 |
| 3/4-IN CONDUIT   | 55-213403G002 |
| 1-IN CONDUIT     | 55-213403G003 |
| 1 1/4-IN CONDUIT | 55-213403G004 |
| 1 1/2-IN CONDUIT | 55-213403G005 |
| 2-IN CONDUIT     | 55-213403G006 |
| 2 1/2-IN CONDUIT | 55-213403G007 |

USE 75°C, COPPER CONDUCTORS ONLY FOR FIELD WIRING. TORQUE LINE AND LOAD TERMINALS AS SHOWN AT RIGHT:

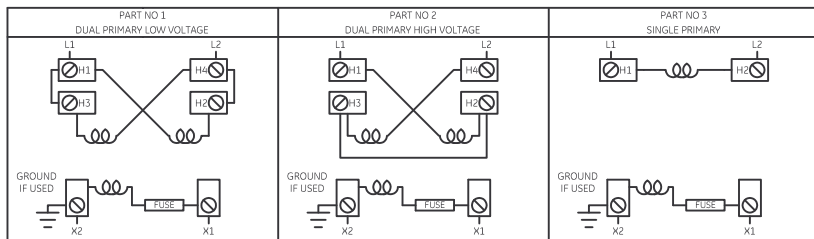
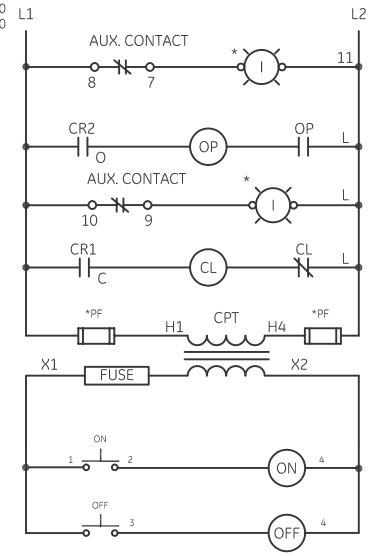
RATING	LB-IN
30A	30
60A	50
75A	50
100A	50
150A	250
200A	250
225A	250

NOTE: REFER TO THE NATIONAL ELECTRICAL CODE. ADDITIONAL CONTROL CIRCUIT OVER-CURRENT PROTECTION MAY BE REQUIRED.

NOTE: WIRE "B" MUST BE REMOVED FROM L2 AND RETURNED TO NEUTRAL FOR NON-STANDARD LINE TO NEUTRAL VOLTAGE CONNECTIONS

NOMENCLATURE

- CL-CLOSING COIL
- CR1,CR2-CONTROL RELAYS
- I-INDICATING LIGHT
- OP-OPENING COIL
- PB-PUSH BUTTON
- PF-PRIMARY FUSE
- SS-SELECTOR SWITCH
- \*-WHEN ORDERED
- PTT-PUSH TO TEST



**GE** imagination at work

WIRING DIAGRAM  
CR160MC LIGHTING CONTACTOR

AN #	THIRD ANGLE PROJECTION	SHEET #
09-9114		1 OF 1

DWG NO.	DATE	REV
55-176491	08/26/2009	8