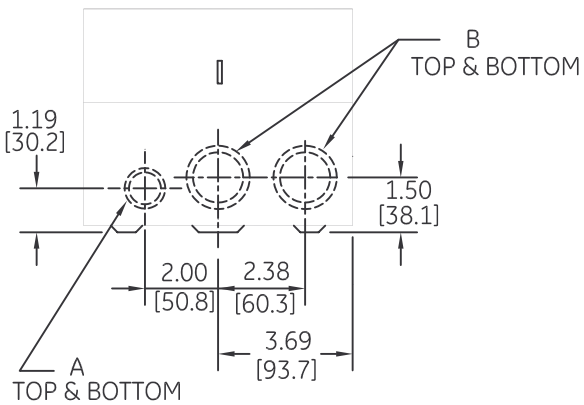
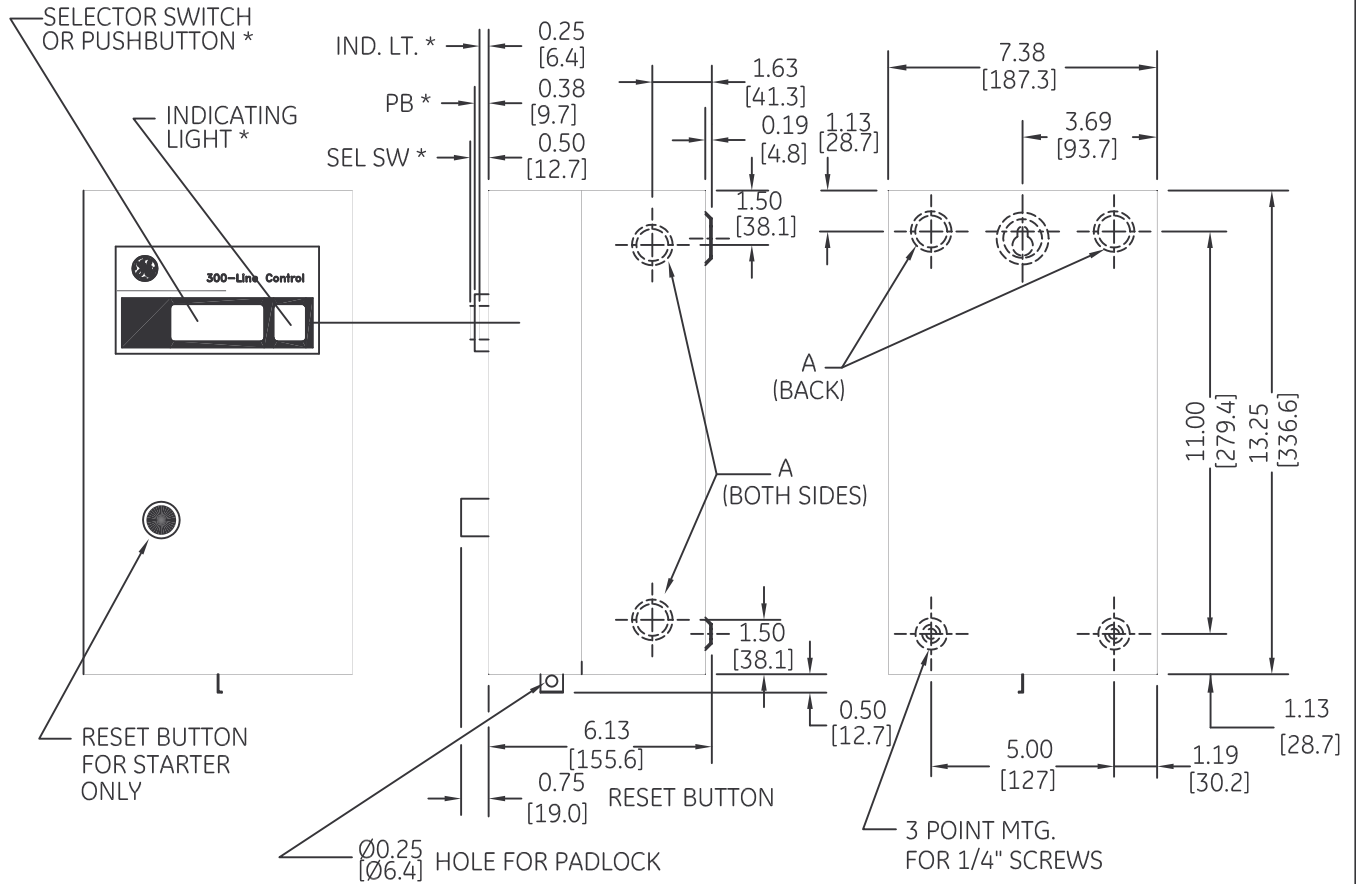


DUAL DIMENSIONS INCHES [MILLIMETERS] (ESTIMATING ONLY)



A— Combination Knockouts For 1/2 or 3/4-Inch Conduit
 B— Combination Knockouts For 1 or 1 1/4-Inch Conduit
 * — If Specified



imagination at work

OUTLINE
 TYPE 1 ENCLOSED

AN #	THIRD ANGLE PROJECTION	SHEET #
09-9107		1 OF 1

DWG NO.	DATE	REV
55-178434	07/14/2009	4